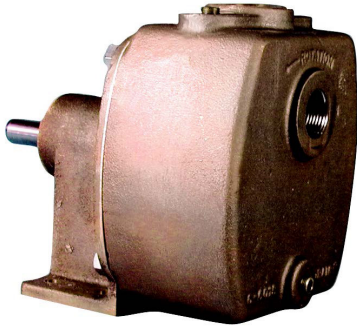




OBERDORFER®

An Ingersoll Rand Business

Model 30PBE Bronze Pedestal Self-Priming Centrifugal Pump



- OB30PBE - Stainless Steel Shaft & NBR Mechanical Seal
- OB30PBE-01 - Monel Shaft & NBR Mechanical Seal
- OB30PBES-10 - Stainless Steel Shaft & FKM Mechanical Seal
- OB30PBES-11 - Stainless Steel Shaft & PTFE Mechanical Seal

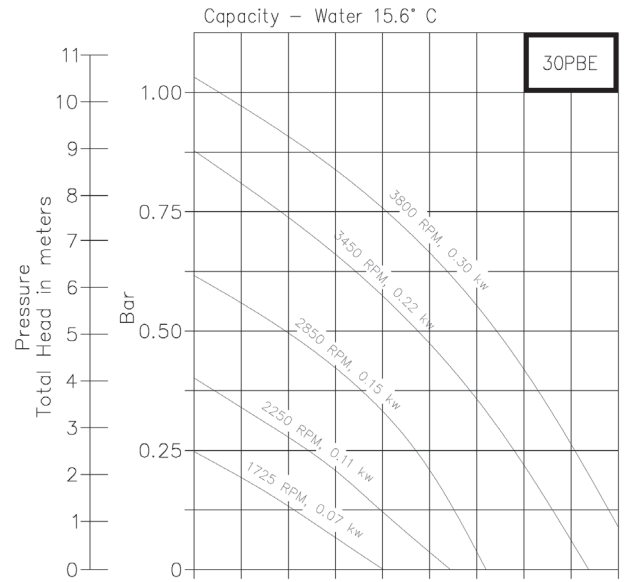
Features

- Pipe Size: 1" BSPT
- Self-Priming to 20 feet (6.1 m) Suction Lift
- Rugged Bronze Construction
- Heavy Duty Ball Bearings Suitable for Pulley Drive Applications
- Bronze Models with Monel Shaft (30PB-1) Ideal for Marine Service. (Air Conditioning, Bilge, and Sea Water Recirculating)
- Can Handle Most Difficult Solvents with Proper Seal Arrangement, FKM (S10) or PTFE (S11) available
- Body O-ring eliminates gasket problems

Discharge Pressure		Suction Lift at 3450 RPM				
Meters	Bar	0 m	1.5 m	3.0 m	4.6 m	6.1 m
0	0	83	76	64	53	38
1.5	0.15	76	64	53	38	19
3.0	0.30	64	53	38	19	---
4.6	0.45	53	38	19	---	---
6.1	0.60	38	19	---	---	---
7.6	0.74	19	---	---	---	---
9.1	0.90	11	---	---	---	---
10.7	1.05	4	---	---	---	---

Capacity Water 15.6°C (LPM)
Maximum lift without foot valve is 3 meters

Performance



Up to 82 LPM water flow and suction lift of 4.6 meters without a foot or check valve (7.6 meter suction lift using a foot or check valve and a filled inlet line). A 1/2" pipe plug on the tank top is for initial filling of priming chamber and inlet line-pump priming is automatic thereafter. Pump seal is mechanical carbon face type mated to ceramic wear face for maximum durability. Other seal components are made of NBR with low swell characteristics for compatibility with a wide range of liquids including many chemicals and solvents. These pump models are widely used for the pumping of Perchloroethylene. Must be operated in the horizontal position (As shown in picture).

Seal Options

Note: Seal and shaft modifications below are not physically interchangeable. Consult factory for modification data.

FKM A Solvent Mechanical Seal: Mechanical seal for oils, fuels, lubricants, most mineral acids, and many solvents that attack other rubbers such as Carbon Tetrachloride, toluene, benzene, and xylene.

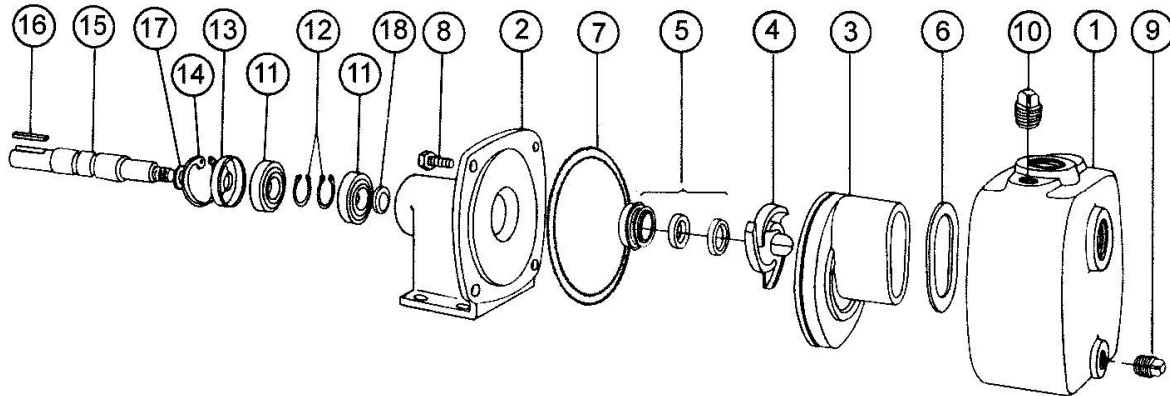
PTFE Mechanical Seal: For virtually all industrial chemicals, corrosives and solvents - as limited by compatibility of basic pump metal of construction.



OBERDORFER[®]

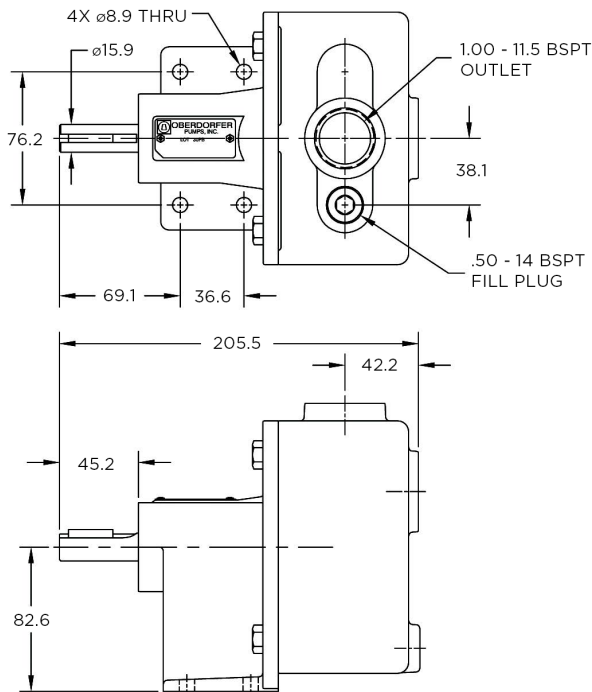
An Ingersoll Rand Business

Exploded View and Parts List



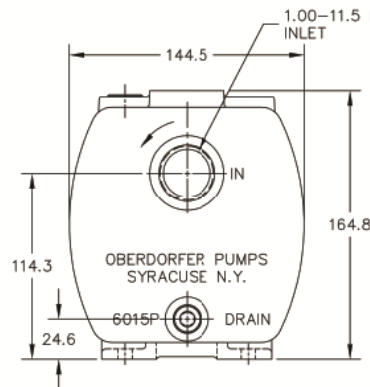
	1	2	3	4	5	6	7	8	9	10	11	12	13	14	15
	Body	Pedestal	Diffuser	Impeller	Seal Assembly	Diffuser Gasket	O-Ring	Screw	Plug	Plug	Ball Bearing	Retaining Ring	Lip Seal	Retaining Ring	Shaft
Pump No.	1 Req'd	1 Req'd	1 Req'd	1 Req'd	1 Req'd	1 Req'd	1 Req'd	4 Req'd	1 Req'd	1 Req'd	2 Req'd	2 Req'd	1 Req'd	1 Req'd	1 Req'd
OB30PBE	OB7190E	OB7445	OB7192	OB7193	OB32155	OB6021-09	OB9797-157	OB5411	OB7321	OB7443	OB5928	OB5926	OB6609	OB5925	OB7037
OB30PBE-01	OB7190E	OB7445	OB7192	OB7193	OB32155	OB6021-09	OB9797-157	OB5411	OB7321	OB7443	OB5928	OB5926	OB6609	OB5925	OB6890
OB30PBES-10	OB7190E	OB7445	OB7192	OB7193	OB32210	OB2271	OB9797-157	OB5411	OB7321	OB7443	OB5928	OB5926	OB6609	OB5925	OB7037
OB30PBES-11	OB7190E	OB7777	OB7192	OB7193	OB32211	OB2271	OB9355-157S	OB5411	OB7321	OB7443	OB5928	OB5926	OB6609	OB5925	OB7037

Dimensions



	16	17	18	19	20	Repair Kit
	Key	Shim	Slinger	Tag	Tag Screw	
Pump No.	1 Req'd	Varies	1 Req'd	1 Req'd	2 Req'd	
OB30PBE	OB6567	OB602501, 02 or 03	OB7447	OB9344	OB9345	OB10865
OB30PBE-01	OB6567	OB602501, 02 or 03	OB7447	OB9344	OB9345	OB10865
OB30PBES-10	OB6567	OB602501, 02 or 03	OB7447	OB9344	OB9345	OB11290
OB30PBES-11	OB6567	OB602501, 02 or 03	OB7447	OB9344	OB9345	OB12414

Item numbers 4, 5, 6, 7 & 17 are included in repair kit. Items 19 & 20 are not depicted above.



12500 South Pulaski Road
 Alsip, IL 60803, USA
 Phone (800) 448.1668