



OBERDORFER®

An Ingersoll Rand Business

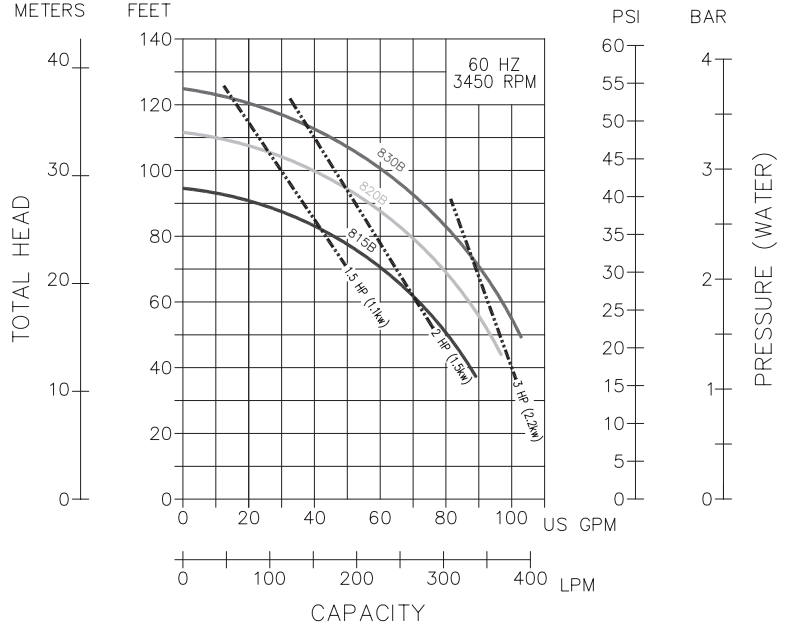
Models 815B(E), 820B(E), 830B(E) Bronze Close Coupled Centrifugal Pumps



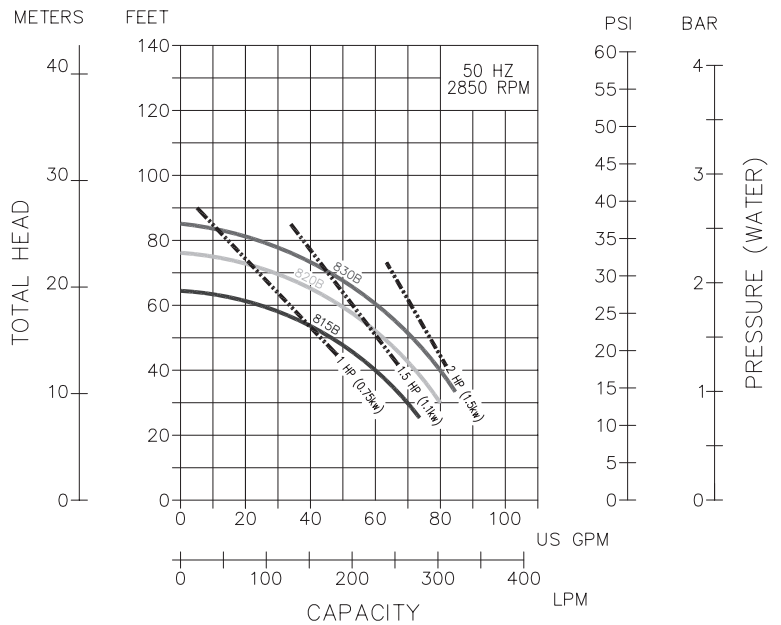
Features

- Inlet: 1 1/2", Outlet 1 1/4" NPT or BSPT
- Durable Cast Bronze Construction
- Rugged Integrated Mounting Base
- Corrosion Resistant Stainless Steel Shaft
- Maintenance Friendly Back Pullout Design
- Closed Vane Balanced Bronze Impeller with Wear Ring in keyed or threaded (-07) style
- Extremely Quiet Operation
- Multiple Mechanical Seal Choices to handle a wide range of clean and contaminated fluids
- Outlet and drain can be oriented to (4) different positions for installation ease.
- O Ring housing seal eliminates gaskets problems
- Pump Heads readily mount to NEMA 56C or IEC 90 B14 Face Mount motors
- Complete Pump - Motor units available
- For SAE AA 2 Bolt Hydraulic Motor Mount - see OB830B-08
- For Pedestal style models see 81PB, 82PB, 83PB

Performance 3450 60 HZ CURVE



2850 50 HZ CURVE



Pump Head Numbering System

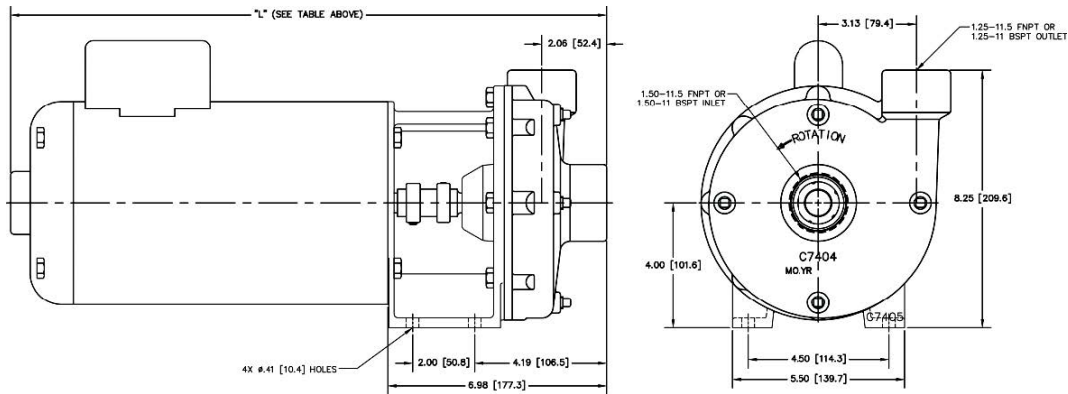
820B	E	07	S10	IEC90
Base Pump	Ports	Impeller Style	Shaft Seal	Frame (Pump Head Only)
815B	none NPT	none Key	none NBR	none NEMA 56C
820B	E BSPT	07 Thread	S10 FKM	84 NEMA 184TC
830B			S11 PTFE	IEC90 IEC 90 B14



OBERDORFER®

An Ingersoll Rand Business

Dimensions



2 Pole Face-Mount Motors

Motor Code	Part #	HP (KW)	HZ	Phase	V	ENCL	Frame	Thermal	Length* Inch (mm)
T22	OB8009	1.5 (1.1)	60/50	1	115/208-230 // 110/220	ODP	NEMA 56C	Auto	16.8 (426)
T25	OB7538	1.5 (1.1)	60	1	115/230	ODP	NEMA 56C	Auto	17.9 (455)
T60	OB3495	1.5 (1.1)	60/50	3	208-230/460 // 190-380	ODP	NEMA 56C	NA	16.3 (414)
T63	OB7541	1.5 (1.1)	60	3	208-230/460	ODP	NEMA 56C	NA	17.6 (447)
T65	OB8366	1.5 (1.1)	60	3	208-230/460	TEFC	NEMA 56C	NA	16.9 (429)
W34	OB3688	2 (1.5)	60/50	1	115/208-230 // 110/220	ODP	NEMA 56C	Auto	17.3 (439)
W25	OB7539	2 (1.5)	60	1	115/230	ODP	NEMA 56C	Auto	17.7 (449)
W26	OB7321	2 (1.5)	60	1	115/230	TEFC	NEMA 56C	Auto	17.2 (436)
W87	OB3689	2 (1.5)	60/50	3	208-230/460 // 190-380	ODP	NEMA 56C	NA	16.8 (427)
W63	OB7542	2 (1.5)	60	3	208-230/460	ODP	NEMA 56C	NA	16.1 (409)
W64	OB8316	2 (1.5)	60	3	208-230/460	TEFC	NEMA 56C	NA	17.8 (451)
W86	OB3608	2 (1.5)	60	3	208-230/460	IP54	IEC 90 B14	NA	19.1 (484)
Y25	OB7540	3 (2.2)	60	1	208-230	ODP	NEMA 56C	Auto	18.6 (471)
Y63	OB7543	3 (2.2)	60	3	208-230/460	ODP	NEMA 56C	NA	18.1 (461)
Y64	OB8182	3 (2.2)	60	3	208-230/460	TEFC	NEMA 56C	NA	18.6 (471)
Y70	OB3078	3 (2.2)	50	3	220/380/440	TEFC	NEMA 56C	NA	16.9 (429)

Contact Factory for other motor options

* motor dimensions subject to variations among motor manufacturers

Impeller

Impeller Diameters		
Model	Inch	mm
815B (E)	5.1	12.8
820B (E)	5.5	14.0
830B (E)	5.8	14.8

Mechanical Seals

Mechanical Seals					
Suffix	Type	Elastomer	Faces	Typical Applications	Seal Assembly
None	Bellows	NBR	Carbon / Ceramic	Non-Potable Water	OB32346
S10	Bellows	FKM	Carbon / Ceramic	Compatible Solvents	OB32360
S11	Wedge	PTFE	Carbon / Ceramic	Compatible Chemicals	OB32211



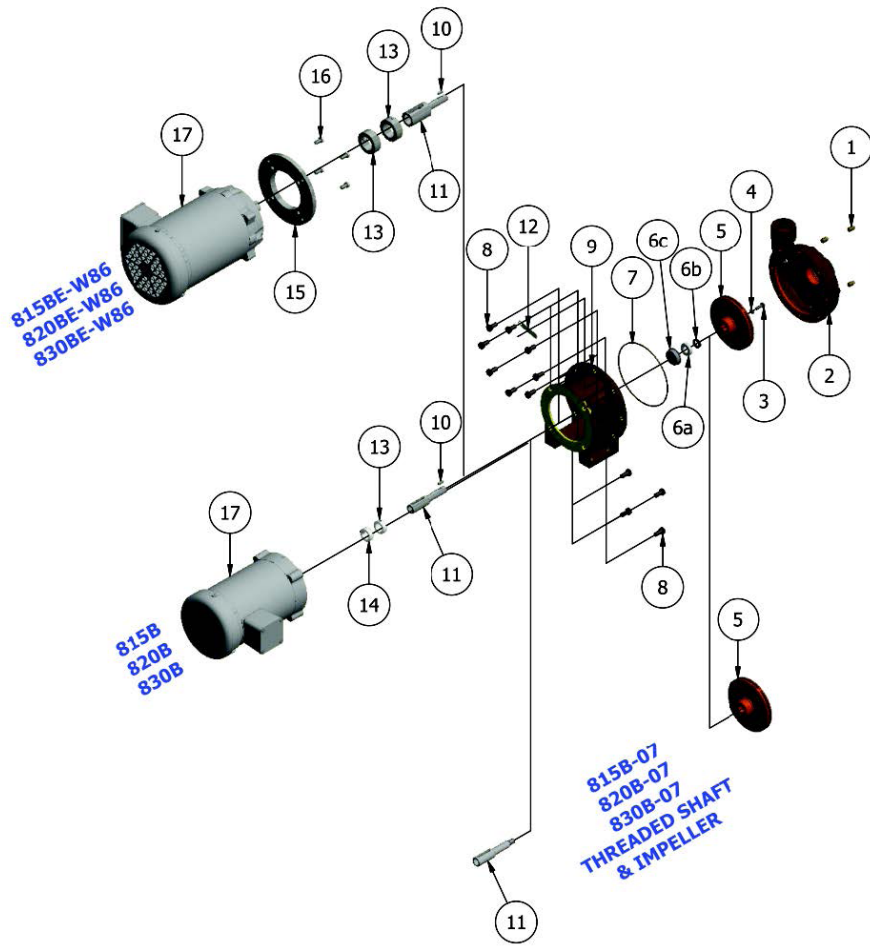
12500 South Pulaski Road
Alsip, IL 60803, USA
Phone (800) 448.1668



OBERDORFER[®]

An Ingersoll Rand Business

Exploded View and Parts List



		1	2	3	4	5	6	6a	6b	6c	6a & 6b	7	8	9	10	11	12	13	14	15	16	Repair Kit	
	Frame	Pipe Plug	Body	Screw	Lock Washer	Impeller Assembly	Seal Assy*	Seal Seat	Seal Wearface	Seal Head	Seat/Wearface Sub Assy	O-Ring**	Screw	Adapter	Key	Shaft	Key	Collar	Collar	Motor Adapter	Screw		
Pump No.		Qty. 4	Qty.1	Qty. 2	Qty.	Qty. 1	Qty. 1	Qty. 1	Qty. 1	Qty. 1	Qty. 1	Qty. 1	Qty. 12	Qty. 1	Qty. 1	Qty. 1	Qty. 1	Qty. 1	Qty. 1	Qty. 1	Qty. 1	Qty. 4	
OB815B (E)						OB32354																	OB10959
OB820B (E)				OB7656	OB7395	OB32352										OB7421	OB6845			N/A	N/A		OB10952
OB830B (E)						OB32353	OB32346																OB10953
OB815B (E) -07		OB5395	OB7585 (E)			OB32002	OB7427	OB7426	OB2913	OB742601		OB9797-163	OB5411	OB7586-1	OB7428			OB5886	OB7658				OB10959
OB820B (E) -07				NA	NA	OB32001										OB2928	N/A			N/A	N/A		OB12312
OB830B (E) -07						OB32000																	OB10953
	-84															OB2508	OB2510	OB2509	OB2509	OB2507	OB2501		
	-IEC90															OB3681		OB2509	OB2509	OB2116	OB2483L-016		

Repair kit includes items 5, 6, 7.

* for FKM and PTFE seal options - see Seal Table above

Item numbers 6a, 6b & 6c (Seal Parts) are sold only as Seal Assembly (Item 6.)

** Legacy version product used Gasket OB7425 until OB2007.



12500 South Pulaski Road
Alsip, IL 60803, USA
Phone (800) 448.1668