



# OBERDORFER®

An Ingersoll Rand Business

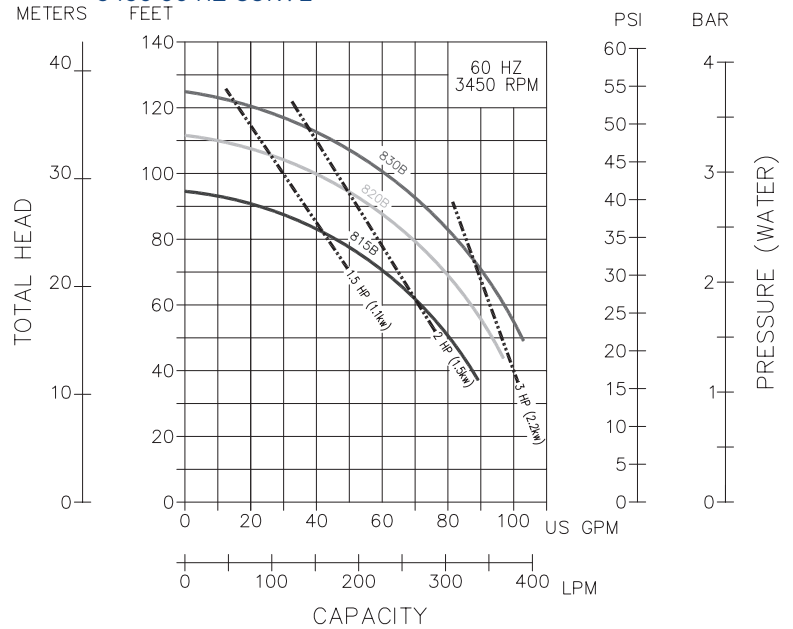
## Models 815B(E), 820B(E), 830B(E) Bronze Close Coupled Centrifugal Pumps



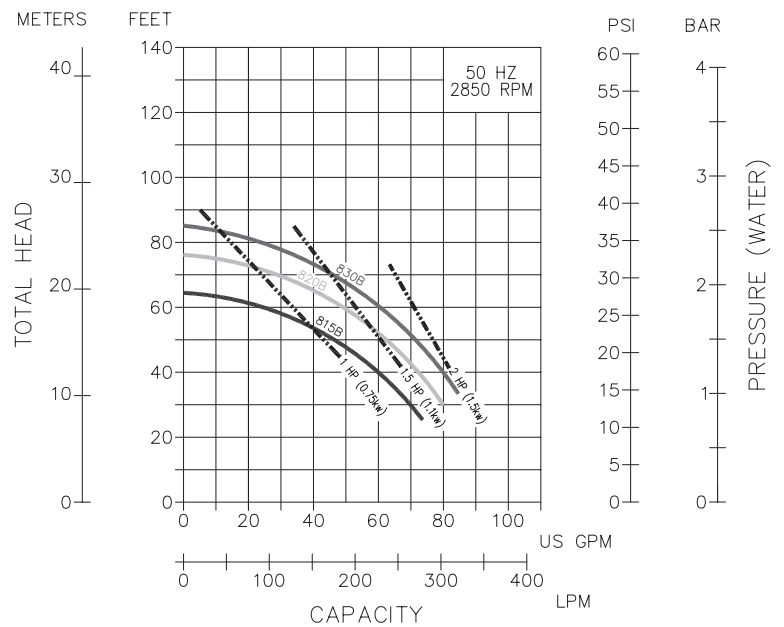
### Features

- Inlet: 1-1/2", Outlet 1-1/4" NPT or BSPT
- Durable Cast Bronze Construction
- Rugged Integrated Mounting Base
- Corrosion Resistant Stainless Steel Shaft
- Maintenance Friendly Back Pullout Design
- Closed Vane Balanced Bronze Impeller with Wear Ring in keyed or threaded (-07) style
- Extremely Quiet Operation
- Multiple Mechanical Seal Choices to handle a wide range of clean and contaminated fluids
- Outlet and drain can be oriented to (4) different positions for installation ease.
- O Ring housing seal eliminates gaskets problems
- Pump Heads readily mount to NEMA 56C or IEC 90 B14 Face Mount motors
- Complete Pump - Motor units available
- For SAE AA 2 Bolt Hydraulic Motor Mount - see OB830B-08
- For Pedestal style models see 81PB, 82PB, 83PB

### Performance 3450 60 HZ CURVE



### 2850 50 HZ CURVE



### Pump Head Numbering System

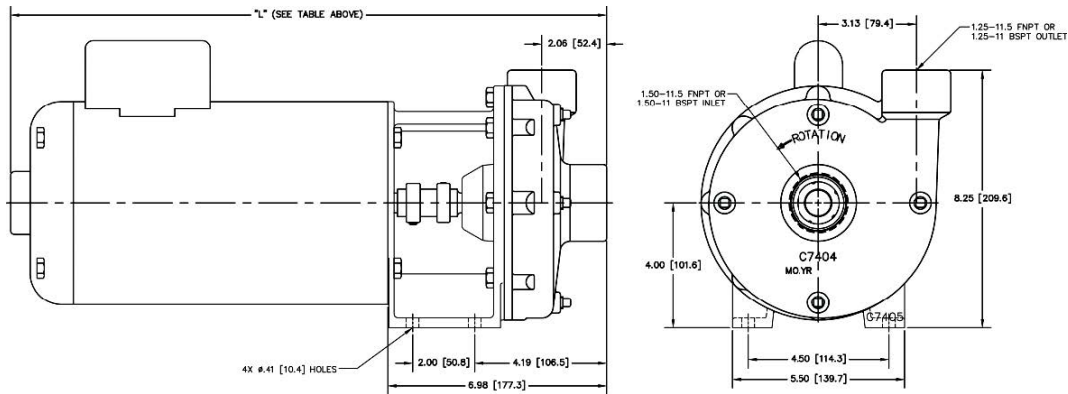
820B	E	07	S10	IEC90
<b>Base Pump</b>	<b>Ports</b>	<b>Impeller Style</b>	<b>Shaft Seal</b>	<b>Frame (Pump Head Only)</b>
OB815B	none NPT	none Key	none NBR	none NEMA 56C
OB820B	E BSPT	07 Thread	S10 FKM	84 NEMA 184TC
OB830B			S11 PTFE	IEC90 IEC 90 B14



**OBERDORFER**<sup>®</sup>

An Ingersoll Rand Business

## Dimensions



## 2 Pole Face-Mount Motors

Motor Code	Part #	HP (KW)	HZ	Phase	Voltage	ENCL	Frame	Thermal	Length* Inch (mm)
T22	OB8009	1.5 (1.1)	60/50	1	115/208-230 // 110/220	ODP	NEMA 56C	Auto	16.8 (426)
T25	OB7538	1.5 (1.1)	60	1	115/230	ODP	NEMA 56C	Auto	17.9 ( 455)
T60	OB3495	1.5 (1.1)	60/50	3	208-230/460 // 190-380	ODP	NEMA 56C	NA	16.3 (414)
T63	OB7541	1.5 (1.1)	60	3	208-230/460	ODP	NEMA 56C	NA	17.6 (447)
T65	OB8366	1.5 (1.1)	60	3	208-230/460	TEFC	NEMA 56C	NA	16.9 (429)
W34	OB3688	2 (1.5)	60/50	1	115/208-230 // 110/220	ODP	NEMA 56C	Auto	17.3 (439)
W25	OB7539	2 (1.5)	60	1	115/230	ODP	NEMA 56C	Auto	17.7 ( 449)
W26	OB7321	2 (1.5)	60	1	115/230	TEFC	NEMA 56C	Auto	17.2 (436)
W87	OB3689	2 (1.5)	60/50	3	208-230/460 // 190-380	ODP	NEMA 56C	NA	16.8 (427)
W63	OB7542	2 (1.5)	60	3	208-230/460	ODP	NEMA 56C	NA	16.1 (409)
W64	OB8316	2 (1.5)	60	3	208-230/460	TEFC	NEMA 56C	NA	17.8 (451)
W86	OB3608	2 (1.5)	60	3	208-230/460	IP54	IEC 90 B14	NA	19.1 (484)
Y25	OB7540	3 (2.2)	60	1	208-230	ODP	NEMA 56C	Auto	18.6 (471)
Y63	OB7543	3 (2.2)	60	3	208-230/460	ODP	NEMA 56C	NA	18.1 ( 461)
Y64	OB8182	3 (2.2)	60	3	208-230/460	TEFC	NEMA 56C	NA	18.6 (471)
Y70	OB3078	3 (2.2)	50	3	220/380/440	TEFC	NEMA 56C	NA	16.9 (429)

Contact Factory for other motor options

\* motor dimensions subject to variations among motor manufacturers

## Impeller

Impeller Diameters		
Model	Inch	mm
OB815B (E)	5.1	12.8
OB820B (E)	5.5	14.0
OB830B (E)	5.8	14.8

## Mechanical Seals

Mechanical Seals					
Suffix	Type	Elastomer	Faces	Typical Applications	Seal Assembly
None	Bellows	NBR	Carbon / Ceramic	Non-Potable Water	OB32346
S10	Bellows	FKM	Carbon / Ceramic	Compatible Solvents	OB32360
S11	Wedge	PTFE	Carbon / Ceramic	Compatible Chemicals	OB32211



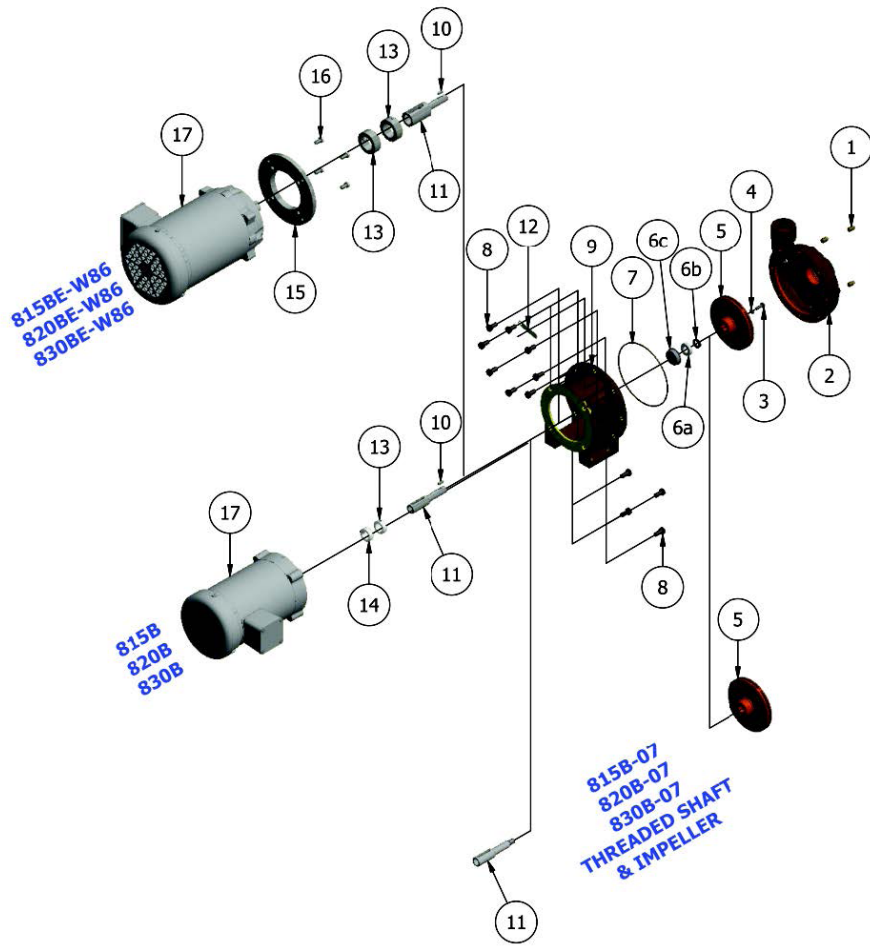
12500 South Pulaski Road  
Alsip, IL 60803, USA  
Phone (800) 448.1668



**OBERDORFER**<sup>®</sup>

An Ingersoll Rand Business

## Exploded View and Parts List



		1	2	3	4	5	6	6a	6b	6c	6a & 6b	7	8	9	10	11	12	13	14	15	16	Repair Kit	
		Qty. 4	Qty.1	Qty. 2	Qty.	Qty. 1	Qty. 1	Qty. 1	Qty. 1	Qty. 1	Qty. 1	Qty. 1	Qty. 12	Qty. 1	Qty. 1	Qty. 1	Qty. 1	Qty. 1	Qty. 1	Qty. 1	Qty. 1	Qty. 4	
Pump No.	Frame																						
OB815B (E)						OB32354																OB10959	
OB820B (E)				OB7656	OB7395	OB32352										OB7421	OB6845				N/A	N/A	OB10952
OB830B (E)						OB32353	OB32346																OB10953
OB815B (E) -07		OB5395	OB7585 (E)			OB32002		OB7427	OB7426	OB2913	OB742601	OB9797-163	OB5411	OB7586-1	OB7428			OB5886	OB7658				OB10959
OB820B (E) -07				NA	NA	OB32001										OB2928	N/A				N/A	N/A	OB12312
OB830B (E) -07						OB32000																	OB10953
	-84															OB2508	OB2510	OB2509	OB2509	OB2507	OB2501		
	-IEC90															OB3681		OB2509	OB2509	OB2116	OB2483L-016		

Repair kit includes items 5, 6, 7.

\* for FKM and PTFE seal options - see Seal Table above

Item numbers 6a, 6b & 6c (Seal Parts) are sold only as Seal Assembly (Item 6.)

\*\* Legacy version product used Gasket OB7425 until OB2007.



12500 South Pulaski Road  
Alsip, IL 60803, USA  
Phone (800) 448.1668