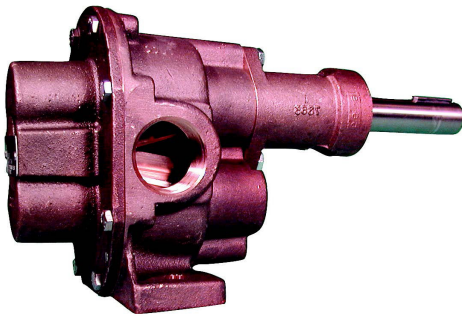




OBERDORFER®

An Ingersoll Rand Business

N13HDE Series Bronze Pedestal Rotary Gear Pumps



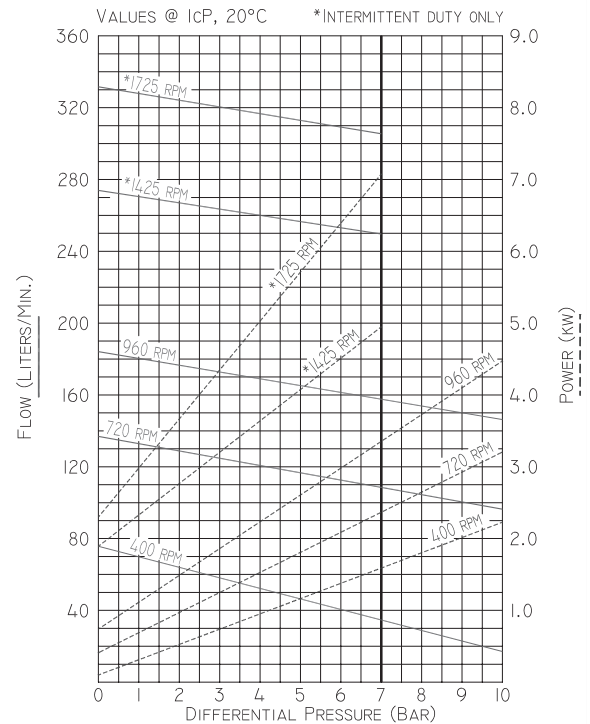
Features

- All Bronze Castings and Stainless Steel Shafts
- Sealing Arrangement Interchangeable in Field with Proper Kit
- Outboard Ball Bearing Support for Belt Drive Applications
- Self Lubricating Carbon Bearings
- 1 1/2" BSPT Ports

Seal Options

Model	Seal		Conversion Kit
	Type	Material	
OBN13HDPE	Packing	Acrylic-Graphite	OB11021
OBN13HDLE	Lip	FKM-PTFE	OB11023
OBN13HDME	Mechanical	NBR-Ceramic	OB11025
OBN13HDPE-1	Packing	PTFE	OB11022
OBN13HDLES3	Lip	NBR	OB11024
OBN13HDLES7	Mechanical	FKM-Ceramic	OB11026
OBN13HDPMES8	Mechanical	EPDM	TBD

Performance



Service Wear Factors

Speed - High speed accelerates wear. For longer service life keep speed as low as possible. Pump speeds above 900 RPM not recommended except for intermittent duty and pressures below 100 psi.

Pressure - High pressure accelerates wear. For longer service life keep pressure as low as possible.

Liquid Temperature - High temperature accelerates wear. Keep as close to room temperature as possible.

Liquid Contamination - Impurities like fine abrasive silt or sand accelerate wear. Keep liquid as clean as possible.

Liquid Lubricity - Lubricants increase service life many fold. Use lubricant additives whenever possible.

Noise - Large gear pumps are inherently noisy due to metal to metal gear contact. Make installations far removed from offices or other relatively quiet people areas. Some noise reduction can be realized by lowering pump speed and use of isolation mounts and lines, usually the small amount of noise reduction achieved does not justify the effort and expense.



OBERDORFER[®]

An Ingersoll Rand Business

Service Wear Factors (contd.)

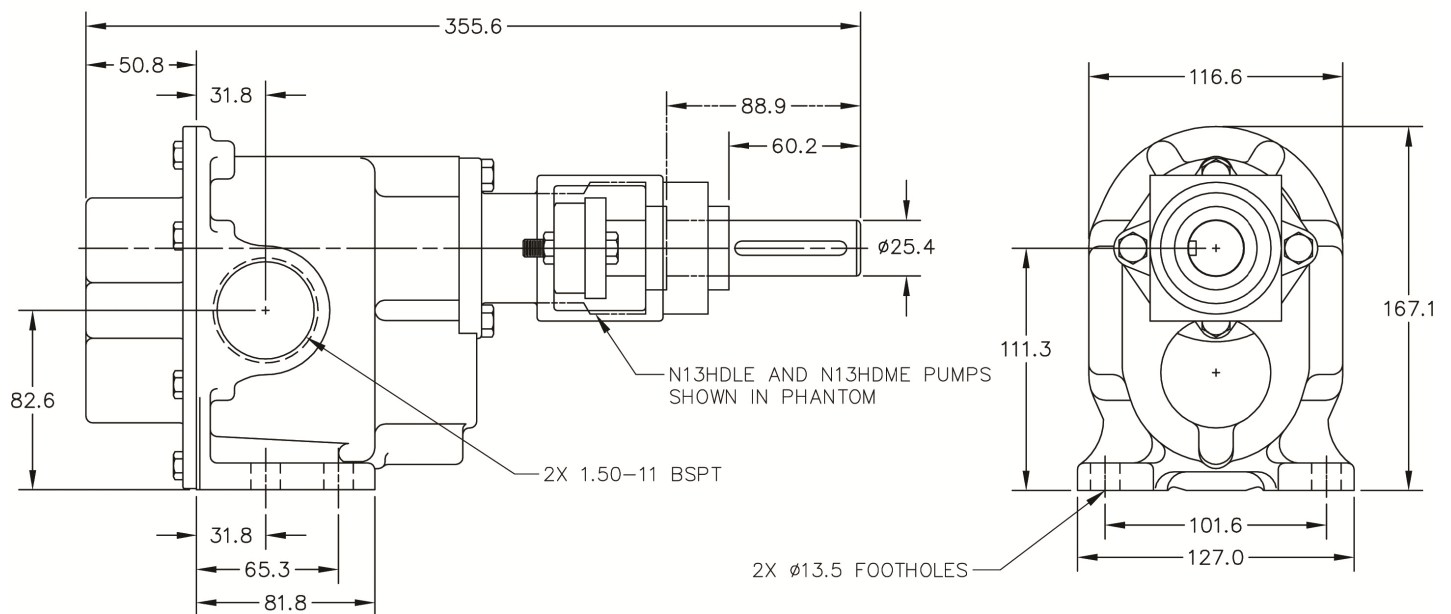
Drive & Alignment - Direct drive is the recommended drive arrangement. This pump is suitable for belt drive applications without needing pillow block bearings to achieve acceptable pump life. Correct alignment is absolutely essential for satisfactory pump life. Recheck alignment after piping has been connected to the pump. Electric clutch versions available.

Seal Conversion Kits

Seal conversion kits illustrated (on back) are designed for quick removal and replacement. In each case, seal housings are fastened to pump bodies by means of 2 bolts, item 13.

IMPORTANT: Before attempting to remove a seal housing containing seal components by sliding them off the pump shaft, be sure to unlock 2 set screws locking the ball bearing inner race to the pump shaft. The ball bearing is identified as item 20. Also, before attempting to slide the seal housing from the pump shaft, remove all burrs, scale, and projections that could be formed by fretting corrosion.

Dimensions



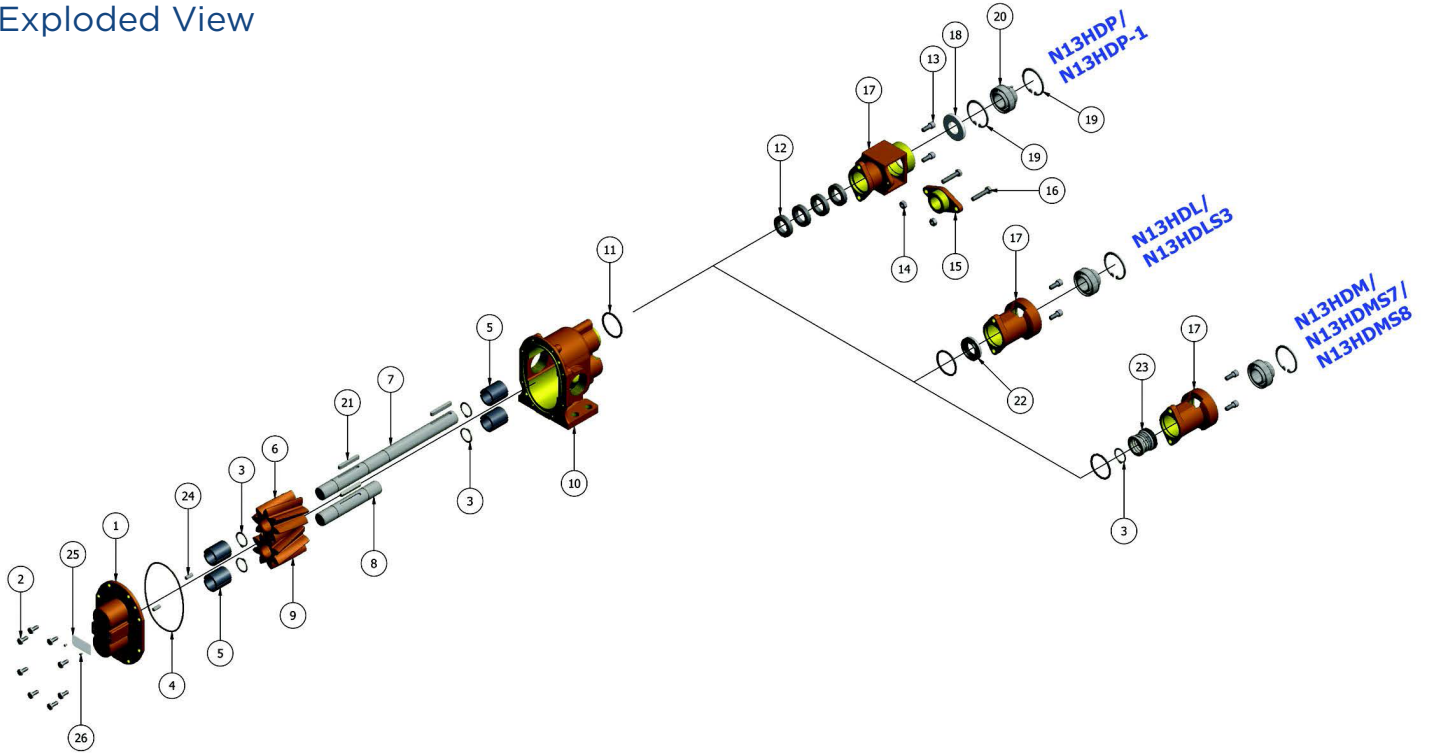
12500 South Pulaski Road
Alsip, IL 60803, USA
Phone (800) 448.1668



OBERDORFER®

An Ingersoll Rand Business

Exploded View



	1	2	3	4	5	6	7	8	9	10	11	12	13
	Cover	Screw	Snap Ring	O-Ring	Bearing	Drive Gear	Drive Shaft	Idle Shaft	Idle Gear	Body	O-Ring	Packing Ring	Screw
Model	Qty. 1	Qty.8	Qty.4/5	Qty. 1	Qty. 4	Qty. 1	Qty. 1	Qty. 1	Qty. 1	Qty. 1	Qty. 1	Qty. 4	Qty. 2
OBN13HDPE	OB9333NN5N	OB5393	OB7651 (4 Req'd)	OB9797-158	OB5108	OB9854	OB7570	OB7653	OB9855	OB9332NH7N-E	OB6515	OB7624	OB6827
OBN13HDPE-1	OB9333NN5N	OB5393	OB7651 (4 Req'd)	OB9797-158	OB5108	OB9854	OB7570	OB7653	OB9855	OB9332NH7N-E	OB6515	OB7450	OB6827
OBN13HDLE	OB9333NN5N	OB5393	OB7651 (4 Req'd)	OB9797-158	OB5108	OB9854	OB7570	OB7653	OB9855	OB9332NH7N-E	OB9797-224	N/A	OB6827
OBN13HDLES3	OB9333NN5N	OB5393	OB7651 (4 Req'd)	OB9797-158	OB5108	OB9854	OB7570	OB7653	OB9855	OB9332NH7N-E	OB6515	N/A	OB6827
OBN13HDME	OB9333NN5N	OB5393	OB7651 (5 Req'd)	OB9797-158	OB5108	OB9854	OB7570	OB7653	OB9855	OB9332NH7N-E	OB6515	N/A	OB6827
OBN13HDMES7	OB9333NN5N	OB5393	OB7651 (5 Req'd)	OB9797-158	OB5108	OB9854	OB7570	OB7653	OB9855	OB9332NH7N-E	OB9797-224	N/A	OB6827
OBN13HDMES8	OB9333NN5N	OB5393	OB7651 (5 Req'd)	OB9999-158	OB5108	OB9854	OB7570	OB7653	OB9855	OB9332NH7N-E	OB6515	N/A	OB6827

	14	15	16	17	18	19	20	21	22	23	24	25	26	Repair Kit
	Nut	Gland	Screw	Seal Housing	Lip Seal	Snap Ring	Ball Bearing	Key	Lip Seal	Seal Assy	Dowel Pin	Tag	Tag Screw	
Model	Qty. 2	Qty. 1	Qty. 2	Qty. 1	Qty. 1	Qty. 1/2	Qty. 1	Qty. 3	Qty. 1	Qty. 1	Qty. 2	Qty. 1	Qty. 2	
OBN13HDPE	OB8395	OB7451	OB9905	OB7449	OB6710	OB7372 (2 Req'd)	OB7368	OB6518	N/A	N/A	OB8597	OB9344	OB9345	OB11009
OBN13HDPE-1	OB8395	OB7451	OB9905	OB7449	OB6710	OB7372 (2 Req'd)	OB7368	OB6518	N/A	N/A	OB8597	OB9344	OB9345	TBD
OBN13HDLE	N/A	N/A	N/A	OB7365	N/A	OB7372 (1 Req'd)	OB7368	OB6518	OB7262	N/A	OB8597	OB9344	OB9345	OB11011
OBN13HDLES3	N/A	N/A	N/A	OB7365	N/A	OB7372 (1 Req'd)	OB7368	OB6518	OB6500	N/A	OB8597	OB9344	OB9345	OB11012
OBN13HDME	N/A	N/A	N/A	OB7365	N/A	OB7372 (1 Req'd)	OB7368	OB6518	N/A	OB32315	OB8597	OB9344	OB9345	OB11013
OBN13HDMES7	N/A	N/A	N/A	OB7365	N/A	OB7372 (1 Req'd)	OB7368	OB6518	N/A	OB32372	OB8597	OB9344	OB9345	OB11014
OBN13HDMES8	N/A	N/A	N/A	OB7365	N/A	OB7372 (1 Req'd)	OB7368	OB6518	N/A	OB33335	OB8597	OB9344	OB9345	TBD

Repair kit contain items 3, 4, 5, 6, 7, 8, 9, 11, 12, 18, 22 & 23



12500 South Pulaski Road
Alsip, IL 60803, USA
Phone (800) 448.1668