



OBERDORFER®

An Ingersoll Rand Business

Model N305M Bronze Close Coupled Rubber Impeller Pump



OBN305M-08F50

Features

- Pipe Size: 3/4"
- Buna Mechanical seal
- Portable
- Slotted motor base
- Neoprene Impeller STD (Buna optional OBN305M-02)
- Stainless Steel Shaft
- Buna O-ring seal between body and cover eliminates gasket problems
- Impeller easily replaced
- Available with AC or DC motors

Important

Performance is based on full voltage supply. Use direct lines. Do not drain voltage with other electrical equipment on same circuit. Lower voltage reduces performance and overloads motor. Use adequate wires size and length to maintain supply voltage.

Pump will operate satisfactorily when mounted in any position.

Do Not Run Dry

Rubber impellers generate high rubbing friction unless lubricated by liquid pumped. Lack of liquid will cause impeller to burn up.

Suction Lift

Suction lift of 15 ft. is possible when impeller is wet. Suction lines must be air tight in order for pump to self prime. A foot valve at beginning of suction line is recommended.

Performance

Water 70°F (Neoprene Impeller)

Model	Volts	HP	Head (feet)	10	20	40	60	80
			Pressure (PSI)	4.3	8.7	17.3	26.0	34.6
OBN305M C81 8295	12 V DC	1/4	Flow (GPM)	7.1	6.7			
			Speed (RPM)	1050	1040			
			Current (Amps)	8.4	9.2			
OBN305M C82 2924	24 V DC	1/4	Flow (GPM)	15.3	14.5	11.9	6.4	2.0
			Speed (RPM)	2200	2190	2160	2140	2120
			Current (Amps)	9.5	10.3	12.4	14.8	17.1
OBN305M-08 C84 2924	12 V DC	1/3	Flow (GPM)	13.8	13.0	9.7		
			Speed (RPM)	1950	1930	1880		
			Current (Amps)	16.0	17.8	21.9		
OBN305M-08 F93 3073	24 V DC	1/3	Flow (GPM)	13.8	12.9	9.6	4.7	
			Speed (RPM)	1920	1920	1910	1860	
			Current (Amps)	8.3	9.3	11.1	13.9	
OBN305M-08 F50 8458	115/230 VAC TEFC	1/3	Flow (GPM)	12.9	12.1	8.9	4.2	
			Speed (RPM)	1780	1780	1780	1770	
OBN305M-08 F97 8456	230/460 VAC TEFC	1/3	Flow (GPM)	12.9	12.1	8.9	4.2	
			Speed (RPM)	1780	1780	1780	1770	

Marked in blue = maximum recommended

Liquids & Temperature

Liquids compatible with neoprene can be pumped including fresh and salt water solutions and mild chemicals. Do not pump severe solvents or acids. When possible flush pump with fresh water after each use.

Extremes of cold and heat will affect impeller life. Limits of 40° to 140° F should be observed. Do not allow liquid in pump to freeze. Drain pump by loosening cover screws. Use methyl alcohol based anti-freeze compounds such as Zerex, Shell Zone, Pyro Permanent, Permagard, Dowgard.

Impeller Replacement

The impeller must be replaced if it is worn out or has been damaged by debris or by running the pump dry. Symptoms of a defective impeller are low pumping pressure and low flow

To replace the impeller remove screws and cover. Pull out the impeller with nose pliers or two screwdrivers. Be careful not to dent the pumping chamber with these tools. When inserting new impeller, line up key slot in impeller with the key in the shaft. Use oil on shaft and avoid forcing the impeller onto the shaft.

The impeller should also be removed for storage periods to prevent the blades from taking a permanent set.



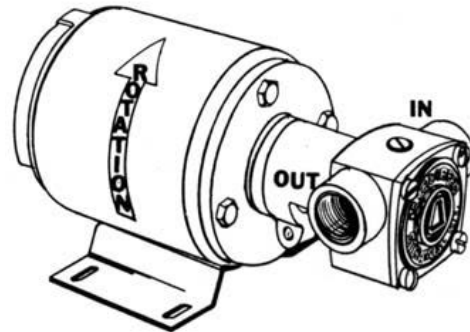
OBERDORFER[®]

An Ingersoll Rand Business

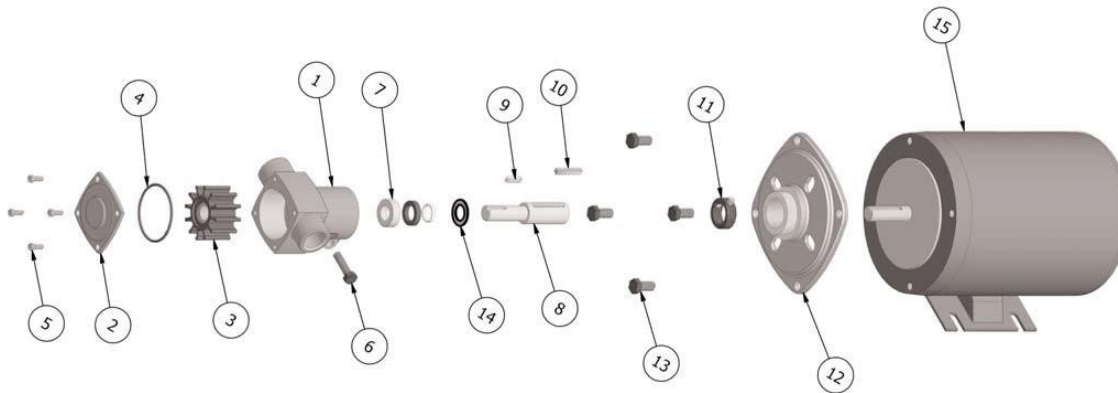
Seal Replacement

If water drips from the weep hole or from the area where the shaft exits the pump, the seal is defective and must be replaced. Prolonged running of the pump with a leaky seal can destroy the motor bearings resulting in catastrophic pump failure. For seal replacement, the pump must be removed from the motor and disassembled in order to gain access to the seal area. Where mechanical seals are used, both components (stationary and rotating member) must be replaced at the same time. Refer to exploded view drawings for seal location and part numbers for ordering purposes.

Standard Rotation



Exploded View and Parts List



Pump No.	Configuration Impeller Material / Motor HP / Voltage	1	2	3*	4*	5	6	7*	8	9	10	11	12	13	14	15	Repair Kit*	
		Body	Cover	Impeller	O-Ring	Screw	Screw	Seal	Shaft	Key	Key	Collar	Adapter	Screw	Washer	Motor		
OBN305M	Neoprene	Qty. 1	Qty. 1	Qty. 1	Qty. 1	Qty. 4	Qty. 1	Qty. 1	Qty. 1	Qty. 1	Qty. 1	Qty. 1	Qty. 1	Qty. 4	Qty. 1	Qty. 1	N/A	
OBN305M-C81	Neoprene / 1/4 HP / 12VDC			OB6620									OB7990	OB5916			OB8295	OB10704
OBN305M-C82	Neoprene / 1/4 HP / 24VDC																OB8295	
OBN305M-02	Buna			OB8647													N/A	OB12187
OBN305M-08C74	Neoprene / 1/4 HP / 12VDC	OB8318-1	OB6736		OB8231	OB5504	OB5595	OB32230	OB8319	OB6739	OB6845	OB7991				OB6631	OB2924	
OBN305M-08F93	Neoprene / 1/4 HP / 24VDC																OB3073	
OBN305M-08F50	Neoprene / 1/3 HP / 120VAC																OB8458	OB10704
OBN305M-08F97	Neoprene / 1/3 HP / 460VAC																OB8456	

* 3, 4 & 7 Items are included in Repair Kits



12500 South Pulaski Road
Alsip, IL 60803, USA
Phone (800) 448.1668

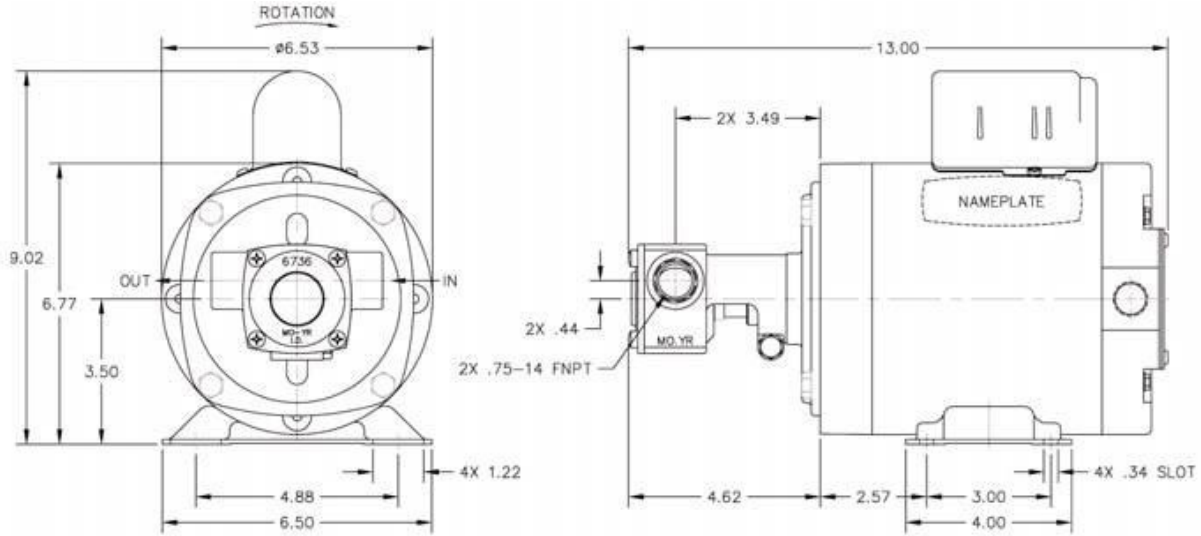


OBERDORFER[®]

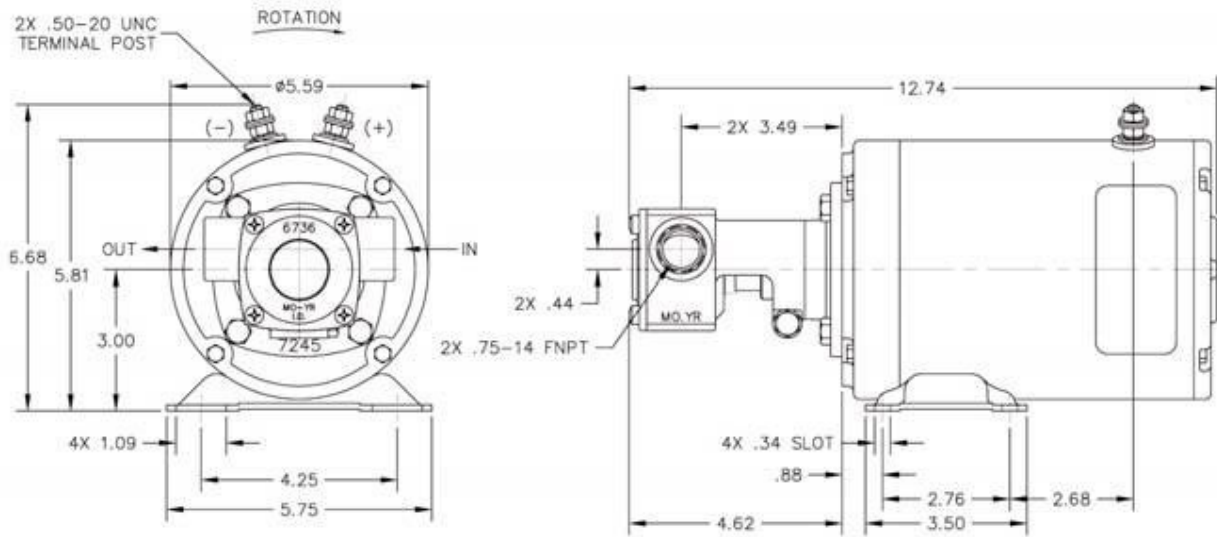
An Ingersoll Rand Business

Dimensions

OBN305M-C81



OBN305M-08F50



IR Ingersoll Rand

12500 South Pulaski Road
Alsip, IL 60803, USA
Phone (800) 448.1668