



OBERDORFER®

An Ingersoll Rand Business

N9000E Series Bronze Pedestal Rotary Gear Pumps



Model N9000E

Features

- 1" BSPT Ports
- Temp. Range: -40 - 200°C
- Bronze Corrosion Resistant Castings
- Special Cast Bronze Gears
- Stainless Steel Shafts & Fasteners
- Formed Ring Seal Packing, Lipseal & Mechanical Seal Options
- Heavy Duty Carbon Bearings (Self Lubricating)
- Positive Displacement Flow

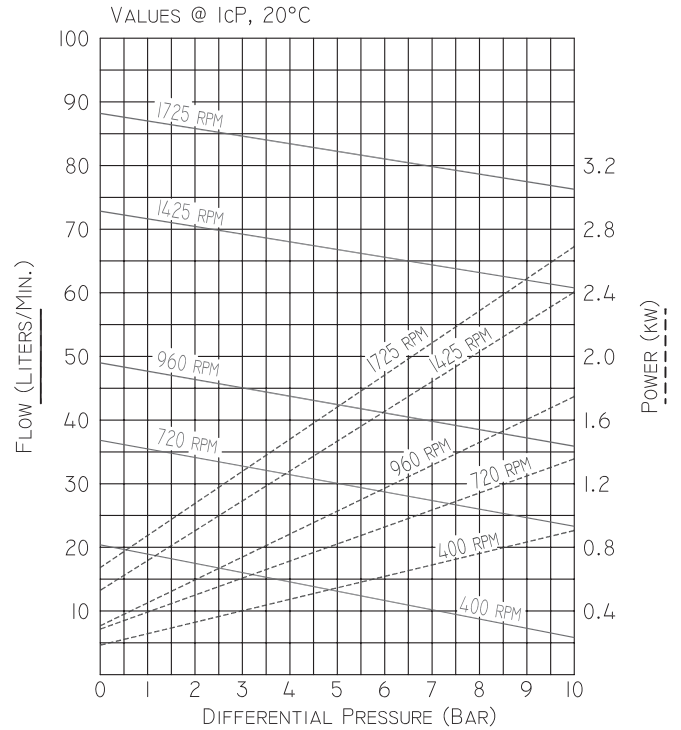
Liquids and Temperature

Service life will be increased substantially if the liquid pumped is clean and has some degree of lubricity. These positive displacement pumps have tight tolerances. Fine abrasives like sand, silt, or powders in suspension will accelerate pump wear and reduce throughput.

Liquids compatible with bronze and stainless steel can be pumped providing proper seal has been specified (see chemical compatibility or check factory). When possible, flush the pump after each usage.

Temperature extremes are detrimental to service life and should be avoided. Basic metals of construction allow a temperature range of -40 to 200°C. Some lip and mechanical seal elastomers have a limit of 100°C. (see engineering data or check factory). Allowing a liquid to freeze in the pump can cause damage.

Performance

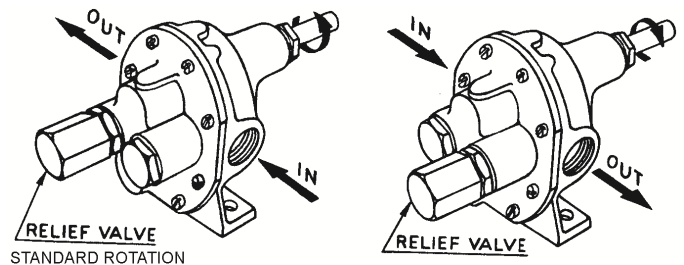


* For pressures over 7 bar, the above selections are suitable for pumping fluids with lubricity (eq. oils, polymers). Service life will decrease for fluids without lubricity (eq. water, solvents).

By-Pass and Rotation

The pump by-pass is not intended to be a metering or flow control device. Its main purpose is to function as a pressure relief when the desired set point is exceeded, overheating can occur within 5 -10 minutes if the discharge line is completely shut off for extended periods.

Reversing rotation reverses the "IN" and "OUT" ports and the location of the by-pass ports have to be reversed. The by-pass valve is factory set at 3.5 bar. To increase the setpoint, turn the by-pass valve adjusting screw in a clockwise direction.





OBERDORFER®

An Ingersoll Rand Business

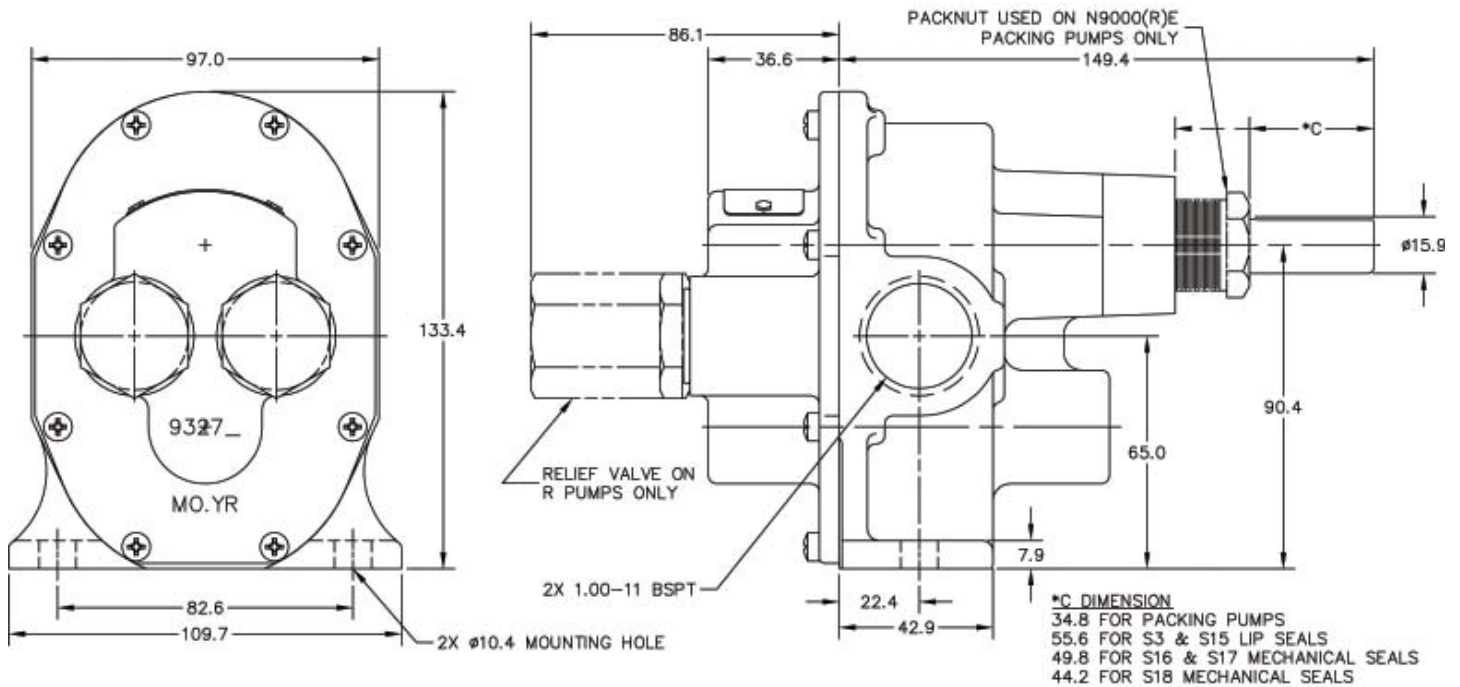
Suction Lift

Close tolerances and the positive pumping action make the rotary gear pump capable of lifting water on the suction side as high as 6 meters. Though gear pumps are self priming, a foot valve is recommended. If possible, wet the gears with liquid to be pumped for the first dry start. Liquid retained in the system and gear chambers serves to “wet” the pump on subsequent starts.

Drive

Either direct drive with flexible coupling or pulley drive can be used. Make sure both flexible coupling halves are properly aligned. When using a pulley, do not overtighten the belt. Also, to absorb belt side thrust at higher pressures and larger size pumps, an external ball bearing support is recommended - consult factory.

Dimensions



12500 South Pulaski Road
Alsip, IL 60803, USA
Phone (800) 448.1668



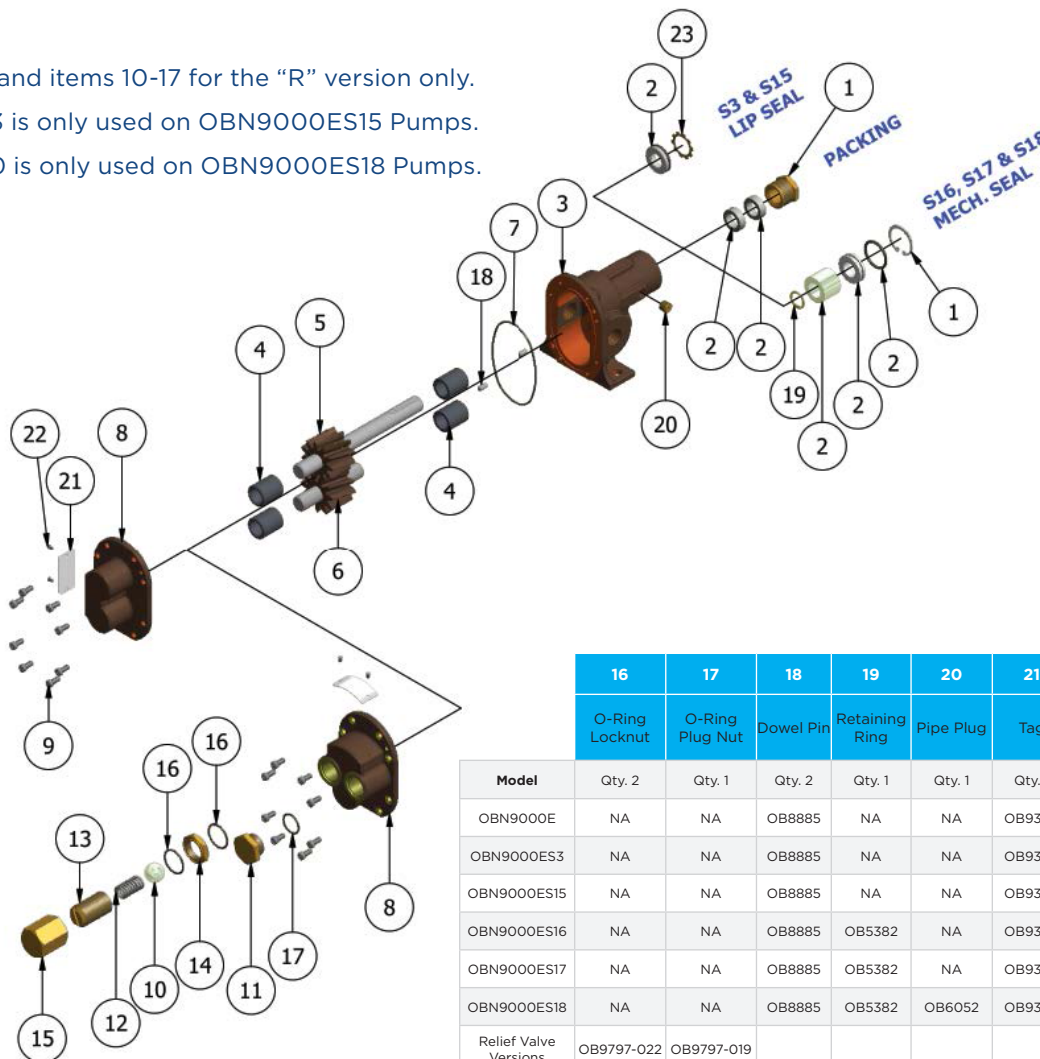
OBERDORFER®

An Ingersoll Rand Business

Parts List

Model	Seal Arrangement	1	2		3	4	5	6	7	8	9	10	11	12	13	14	15
		Packnut or Retaining Ring	Packing	Seal	Body	Bearing	Drive Gear Assy	Idle Gear Assy	O-Ring	Cover	Screw	Ball	Plug Nut	Spring	Adj. Screw	Locknut	Bypass Nut
		Qty. 1	Qty. 2	Qty. 1	Qty. 1	Qty. 4	Qty. 1	Qty. 1	Qty. 1	Qty. 1	Qty. 8	Qty. 1	Qty. 1	Qty. 1	Qty. 1	Qty. 1	Qty. 1
OBN9000E	Packing	OB1762	OB5479	NA	OB9325NF1N	OB5091	OB33019	OB33020	OB9797-045	OB9326NN5N	OB5385	NA	NA	NA	NA	NA	NA
OBN9000ES3	Buna Lip	NA	NA	OB5463	OB9325NF2N	OB5091	OB33019	OB33020	OB9797-045	OB9326NN5N	OB5385	NA	NA	NA	NA	NA	NA
OBN9000ES15	Viton Lip	NA	NA	OB9997	OB9325NF2N	OB5091	OB33019	OB33020	OB9797-045	OB9326NN5N	OB5385	NA	NA	NA	NA	NA	NA
OBN9000ES16	Buna Bellows Mech.	OB5374	NA	OB32202	OB9375NF9N	OB5091	OB33042	OB33020	OB9797-045	OB9326NN5N	OB5385	NA	NA	NA	NA	NA	NA
OBN9000ES17	Viton Bellows Mech.	OB5374	NA	OB32235	OB9375NF9N	OB5091	OB33042	OB33020	OB9797-045	OB9326NN5N	OB5385	NA	NA	NA	NA	NA	NA
OBN9000ES18	Teflon Wedge Mech.	OB5374	NA	OB32923	OB9375NF6N	OB5091	OB33042	OB33020	OB9355-045	OB9326NN5N	OB5385	NA	NA	NA	NA	NA	NA
Relief Valve Versions: OBN9000RE, OBN9000RES3, OBN9000RES15, OBN9000RES16, OBN9000RES17, OBN9000RES18										OB9327NN5B		OB3292	OB5278R	OB5277	OB5275	OB1642D	OB5276

Item 8 and items 10-17 for the "R" version only.
 Item 23 is only used on OBN9000ES15 Pumps.
 Item 20 is only used on OBN9000ES18 Pumps.



Model	16	17	18	19	20	21	22	23	Repair Kit*
	O-Ring Locknut	O-Ring Plug Nut	Dowel Pin	Retaining Ring	Pipe Plug	Tag	Tag Screw	Lock Ring	
OBN9000E	Qty. 2	Qty. 1	Qty. 2	Qty. 1	Qty. 1	Qty. 1	Qty. 2	Qty. 1	OB10639
OBN9000ES3	NA	NA	OB8885	NA	NA	OB9344	OB9345	NA	OB10783
OBN9000ES15	NA	NA	OB8885	NA	NA	OB9344	OB9345	OB3033	OB12108
OBN9000ES16	NA	NA	OB8885	OB5382	NA	OB9344	OB9345	NA	OB12125
OBN9000ES17	NA	NA	OB8885	OB5382	NA	OB9344	OB9345	NA	OB12126
OBN9000ES18	NA	NA	OB8885	OB5382	OB6052	OB9344	OB9345	NA	OB12127
Relief Valve Versions	OB9797-022	OB9797-019							

* Repair kit contains 2, 4, 5, 6 and 7



12500 South Pulaski Road
 Alsip, IL 60803, USA
 Phone (800) 448.1668