



OBERDORFER[®]

An Ingersoll Rand Business

N991-32 Series D.C. Bronze Close Coupled External Rotary Gear Pumps



Features

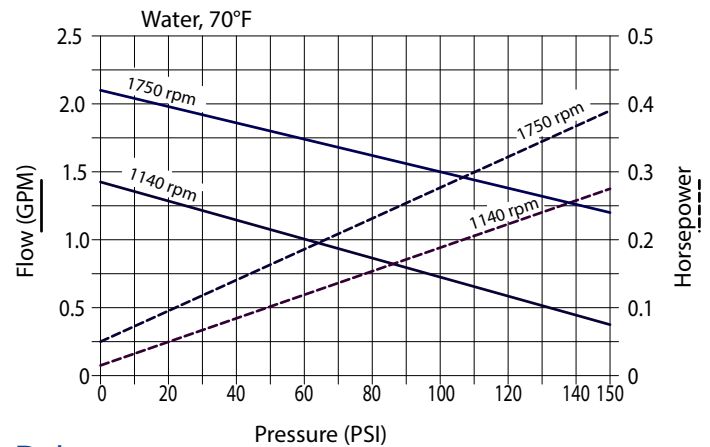
- 3/8" NPT Ports
- Compact design eases installation and use in limited space areas.
- Construction is bronze and stainless steel wetted components.
- Close tolerance design allows for consistent performance.
- Self-Lubricating Bearings
- Complete Units Available
- Slotted Motor Base with Rubber Grommets
- Permanent Magnet Rigid Base Motors

Suction Lift

As a general rule, the suction lift should be kept at an absolute minimum by placing the pump as close to the liquid source as possible. A gear pump in new condition can lift 20 feet of water in the suction line. A foot valve (preferably with built in strainer) is recommended at the beginning of the suction line.

For a first start-up, the pump should be primed to avoid dry running. Minimum size of the suction pipe is the size of the pump inlet port. For longer suction lines (over 3 feet) or for viscous liquids, the pipe should be at least one size or two sizes larger than the pump inlet port.

Performance



Drive

Close-coupled pumps are mounted directly to the electric motor by means of a suitable adapter bracket. The pump drive shaft is connected to the motor shaft by a flexible coupling.

Liquids and Temperature

Compact DC portable units convenient for on site servicing of vehicles, machinery and field equipment. For pumping oil direct from crankcase or oil reservoir, drums, containers, transfer diesel fuel to vehicles, pumping other liquids and chemicals compatible with materials of construction. Pumping viscous oils, SAE 30 or greater, can overload motor. Intermittent use is recommended when pumping viscous oils, especially in cold weather.

Service life will be increased substantially if liquid pumped is clean and has lubricity value. These pumps have extremely close tolerances. Fine abrasives like sand, silt or powders in suspension will destroy pumping ability. Liquids compatible with bronze, stainless steel and the Nitrile lip seal can be pumped. For solvents a fluoroelastomer lip seal is available.

For a fluoroelastomer Seal, add S5 to the pump model number. See chemical compatibility table. Temperature extremes are detrimental to service life and should be avoided. Basic metals of construction allow temperature range of -40° to 400°F. Standard Nitrile lip seal has a temperature limit of 250°F, while the fluoroelastomer lip seal will handle up to 300°F. Freezing liquid in the pump can deform or damage the pump.



OBERDORFER®

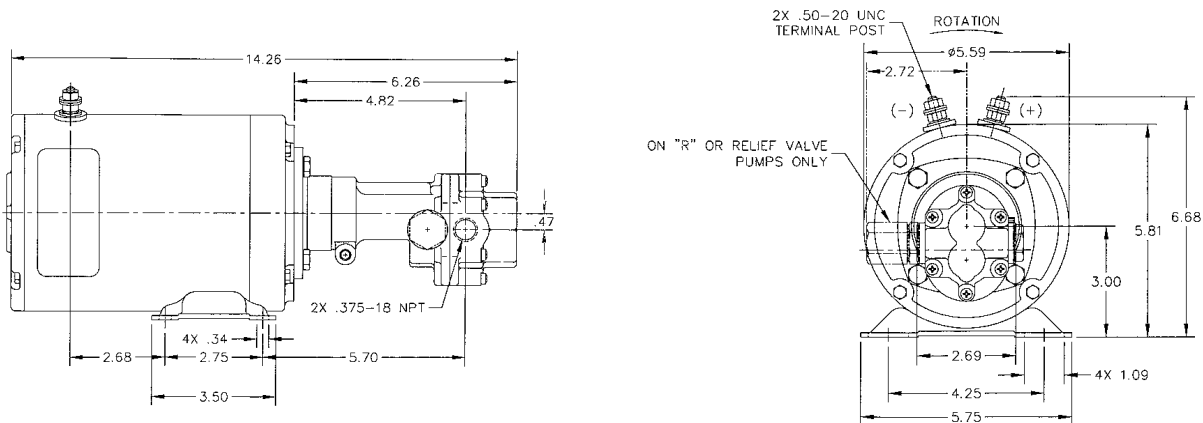
An Ingersoll Rand Business

Rotation and Relief Valve

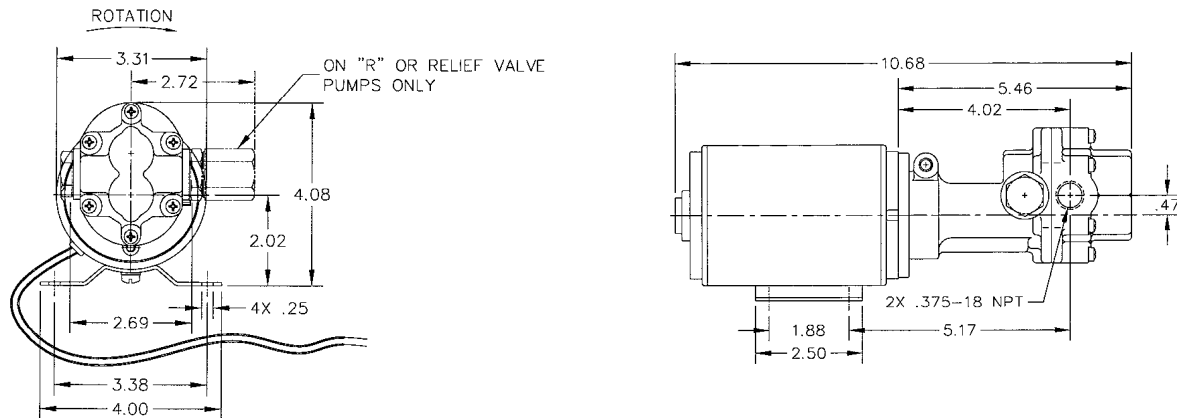
If the discharge line contains any throttling devices such as a shut-off valve, a spray nozzle or other restrictive device, it is necessary to have a relief valve in the system which returns the liquid to the suction side or to the tank. The relief valve is also available as part of the pump itself (R-model pumps). However, built-in relief valves are only good for intermittent service. If used continuously, the pump will overheat. A built-in relief valve is strictly a safety device against overpressure. It will not work successfully as a pressure or flow control device. For this purpose a separate relief valve in the pressure line must be used. Unless otherwise specified, the pump motor unit is supplied by the factory for shaft rotation counterclockwise from shaft end. Reversing motor will reverse "in and "out" ports and also requires changing relief valve location. The relief valve is always on the inlet side of this pump series. The factory pressure setting is 50 PSIG. To increase pressure, turn the relief valve adjusting screw in a clockwise direction.

Dimensions

N991-32 C81, C82



N991-32 A96, A89, A97



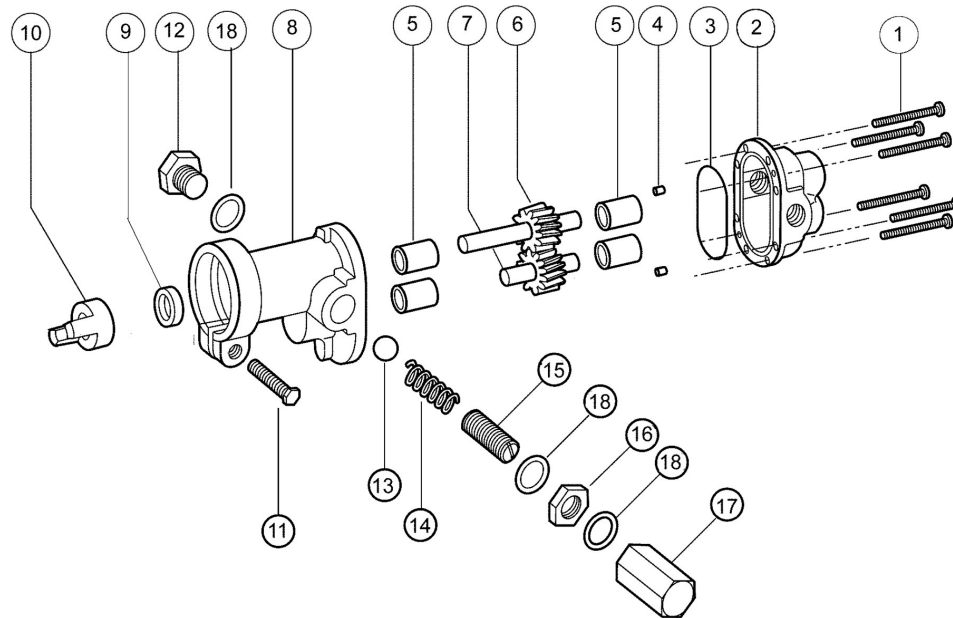
12500 South Pulaski Road
Alsip, IL 60803, USA
Phone (800) 448.1668



OBERDORFER®

An Ingersoll Rand Business

Exploded View



Parts List

	1	2	3	4	5	6	7	8	9	10	11	12
	Screw	Body	O-Ring	Dowel Pin	Bearing	Drive Gear Assy	Idle Gear Assy	Cover	Lip Seal	Coupling	Screw	Plug Nut
Model	Qty. 6	Qty. 1	Qty. 1	Qty. 2	Qty. 4	Qty. 1	Qty. 1	Qty. 1	Qty. 1	Qty. 1	Qty. 1	Qty. 1
OBN991-32	OB7733	OB9300NC5N	OB9797-033	OB8885	OB5024	OB32149	OB32110	OB9303NN2N	OB5007	OB5604	OB5595	N/A
OBN991R-32	OB7733	OB9300NC5N	OB9797-033	OB8885	OB5024	OB32149	OB32110	OB9303NN2B	OB5007	OB5604	OB5595	OB1838
OBN991-32S5	OB7733	OB9300NC5N	OB9797-033	OB8885	OB5024	OB32149	OB32110	OB9303NN2N	OB7580	OB5604	OB5595	N/A
OBN991R-32S5	OB7733	OB9300NC5N	OB9797-033	OB8885	OB5024	OB32149	OB32110	OB9303NN2B	OB7580	OB5604	OB5595	OB1838

	13	14	15	16	17	18	19	20	21	22	Repair Kit
	Ball	Spring	Adj. Screw	Lock Nut	Bypass Nut	O-Ring	Lock Ring	O-Ring	Name Tag	Tag Screw	
Model	Qty. 4	Qty. 2	Qty. 1	Qty. 1	Qty. 1	Qty. 2	Qty. 1	Qty. 1	Qty. 1	Qty. 2	
OBN991-32	N/A	N/A	N/A	N/A	N/A	N/A	N/A	N/A	OB9344	OB9345	OB10640
OBN991R-32	OB5803	OB1840	OB5237	OB5240D	OB5239	OB9797-019	N/A	OB9797-015	OB9344	OB9345	OB10640
OBN991-32S5	N/A	N/A	N/A	N/A	N/A	N/A	OB7626	N/A	OB9344	OB9345	OB11318
OBN991R-32S5	OB5803	OB1840	OB5237	OB5240D	OB5239	OB9797-019	OB7626	OB9797-015	OB9344	OB9345	OB11318

*Repair Kits contain items 3, 5, 6, 7, 9 & 19.

Motor Parts

	23#	24#	25#	26a#	26b#	27#	28	29	Adapter Kit
	Spider	Coupling Half	Bracket/Adapter	Screw	Screw	Lock Washer	Grommet	Motor	
Motor no.	Qty. 1	Qty. 1	Qty. 1	Qty. 2	Qty. 4	Qty. 2	Qty. 4	Qty. 1	Qty. 1
A96	OB7839	OB7714	OB7362	OB2371	N/A	OB5656	OB6650	OB8105	OB12091
A89	OB7839	OB7714	OB7362	OB2371	N/A	OB5656	OB6650	OB8030	OB12091
A97	OB7839	OB7714	OB7362	OB2371	N/A	OB5656	OB6650	OB8107	OB12091
C81	OB7839	OB7643	OB7602	N/A	OB5916	N/A	N/A	OB8295	OB12144
C82	OB7839	OB7643	OB7602	N/A	OB5916	N/A	N/A	OB8295	OB12144

#Adapter Kits contain items 23, 24, 25, 26 & 27.

Recommended wire size and length AWG wire size and maximum length in ft.

	No. 14	No. 12	No. 10	No. 8
12 Volt DC	11 ft.	18 ft.	28 ft.	45 ft.
24 Volt DC	20 ft.	34 ft.	55 ft.	87 ft.
32 Volt DC	35 ft.	56 ft.	91 ft.	144 ft.



12500 South Pulaski Road
Alsip, IL 60803, USA
Phone (800) 448.1668