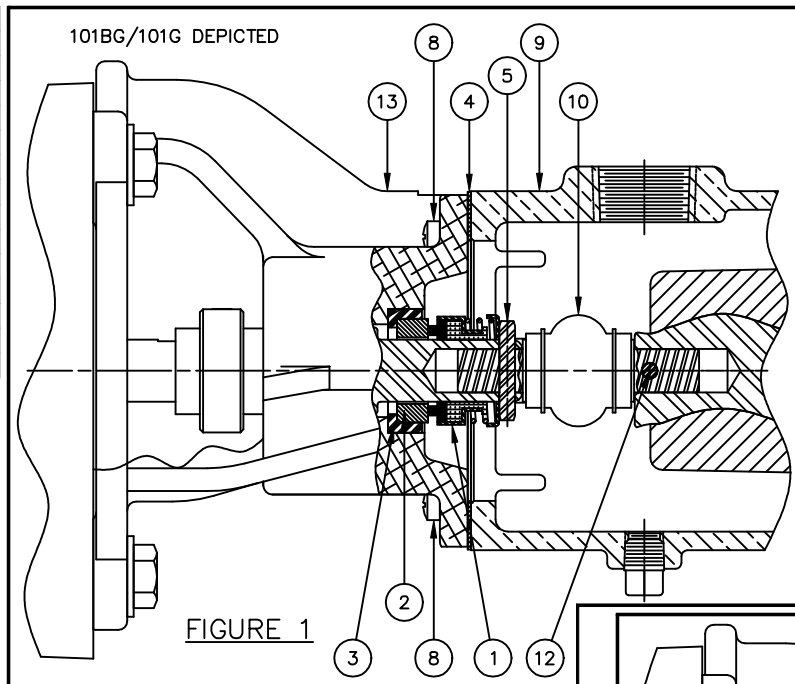


OBERDORFER HELICAL ROTOR PUMPS SEAL REPLACEMENT INSTRUCTIONS

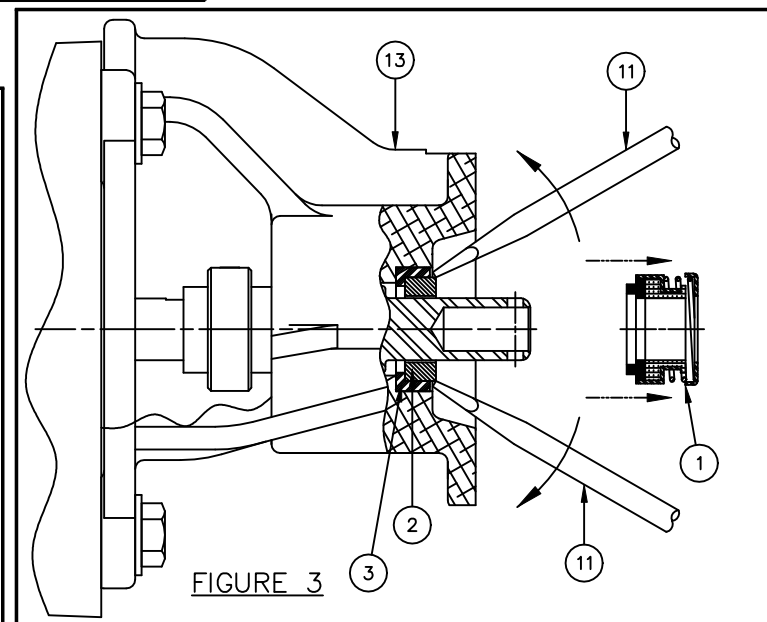
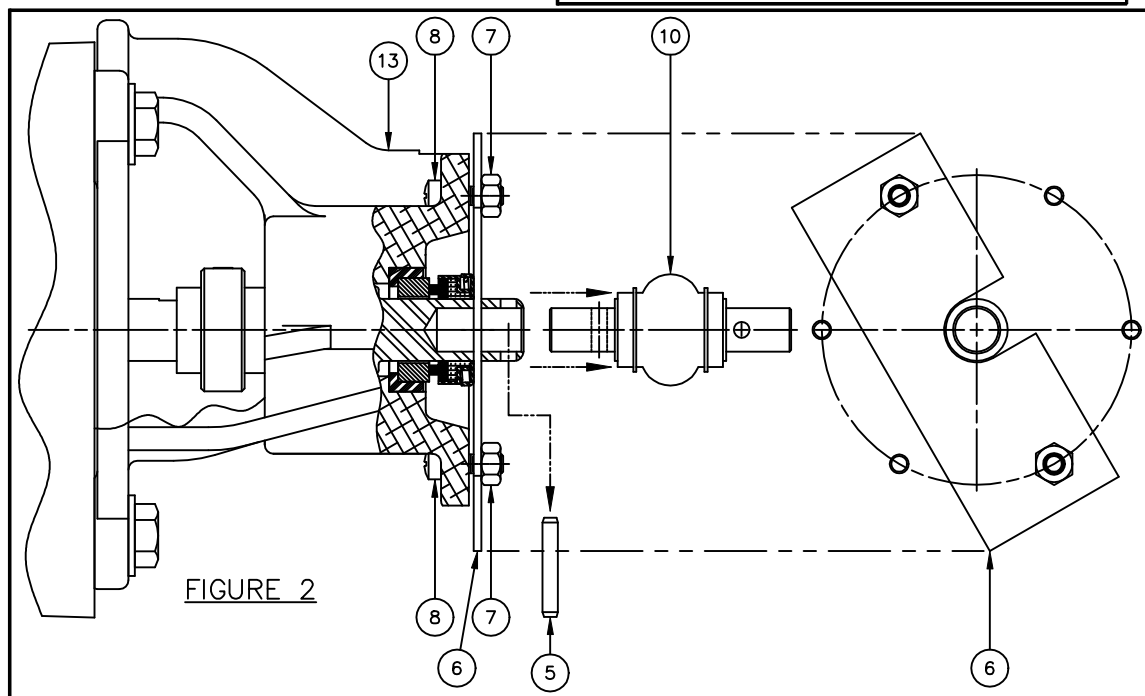
13	1	VARIABLES	ADAPTER BRACKET
12	1	5888	ROLL PIN, 13/16" LG.
11	2	N/A	THIN BLADE SCREWDRIVER
10	1	5874	UNIVERSAL JOINT
9	1	VARIABLES	PUMP BODY
8	6	5897	SCREW
7	2	5933	NEX NUT, 10-24
6	1	1291	COMPRESSION PLATE FOR SEAL REMOVAL
5	1	5889	ROLL PIN, 1" LG.
4	1	5882	GASKET
3	1	5894	SEAL SEAT
2	1	5893	SEAL WEAR FACE
1	1	5892	SEAL HEAD
ITEM	QTY	PART NO	DESCRIPTION
SEAL REPLACEMENT KIT NO. 10739			



STEP	DESCRIPTION	FIG.
1	REMOVE 6 FILLISTER HEAD SCREWS (8) HOLDING PUMP BODY (9) TO ADAPTER BRACKET (13).	1
2	REMOVE PUMP BODY (9) FROM ADAPTER BRACKET (13).	1
3	REMOVE & INSTALL NEW ROLL PIN (12) IN ROTOR.	1
4	INSTALL COMPRESSION PLATE (6) TO COMPRESS SEAL SPRING.	2
5	USING A SMALL DRIFT, DRIVE OUT ROLL PIN (5).	2
6	REMOVE UNIVERSAL JOINT (10) FROM SHAFT BY TWISTING-TAPPING MOTION WHILE HOLDING DRIVE END OF PUMP SHAFT.	2
7	REMOVE SEAL HEAD (1) BY PULLING-TWISTING MOTION WHILE HOLDING DRIVE END OF PUMP SHAFT.	3
8	PRY OUT SEAL WEAR FACE (2) BY USING THIN BLADE SCREW DRIVERS (11). (AN ALTERNATE METHOD OF REMOVING SEAL WEAR FACE IS BY BREAKING IT BY A SHARP BLOW WITH A DRIFT OR PUNCH).	3
9	REMOVE SEAL SEAT (3).	3
10	REINSTALL NEW SEAL PARTS BY REVERSING PROCEDURE DESCRIBED ABOVE.	NA
*	USE OIL ON SEAL RUBBER PARTS AND ON SHAFTS TO FACILITATE SLIDING ON SHAFT.	NA
*	USE OIL BETWEEN SEAL & SEAL WEAR FACE (LAPPED SURFACES).	NA
*	CAUTION - DO NOT OVERTIGHTEN SCREWS IN ALUMINUM. OVERTIGHTENING STRIPS THREADS.	NA

NOTES:

- 1) ITEM NO.'s 1, 2 & 3 ARE INCLUDED WITH SEAL ASSEMBLY PART NO. 32156.
- 2) FOR FULL REPAIR KIT INCLUDING ROTOR & STATOR, SEE KIT NO. 10737.



OBERDORFER PUMPS

A Gardner Denver Product

5900 Firestone Drive
Syracuse, New York, U.S.A. 13206
www.oberdorfer-pumps.com

Revised 3/2010