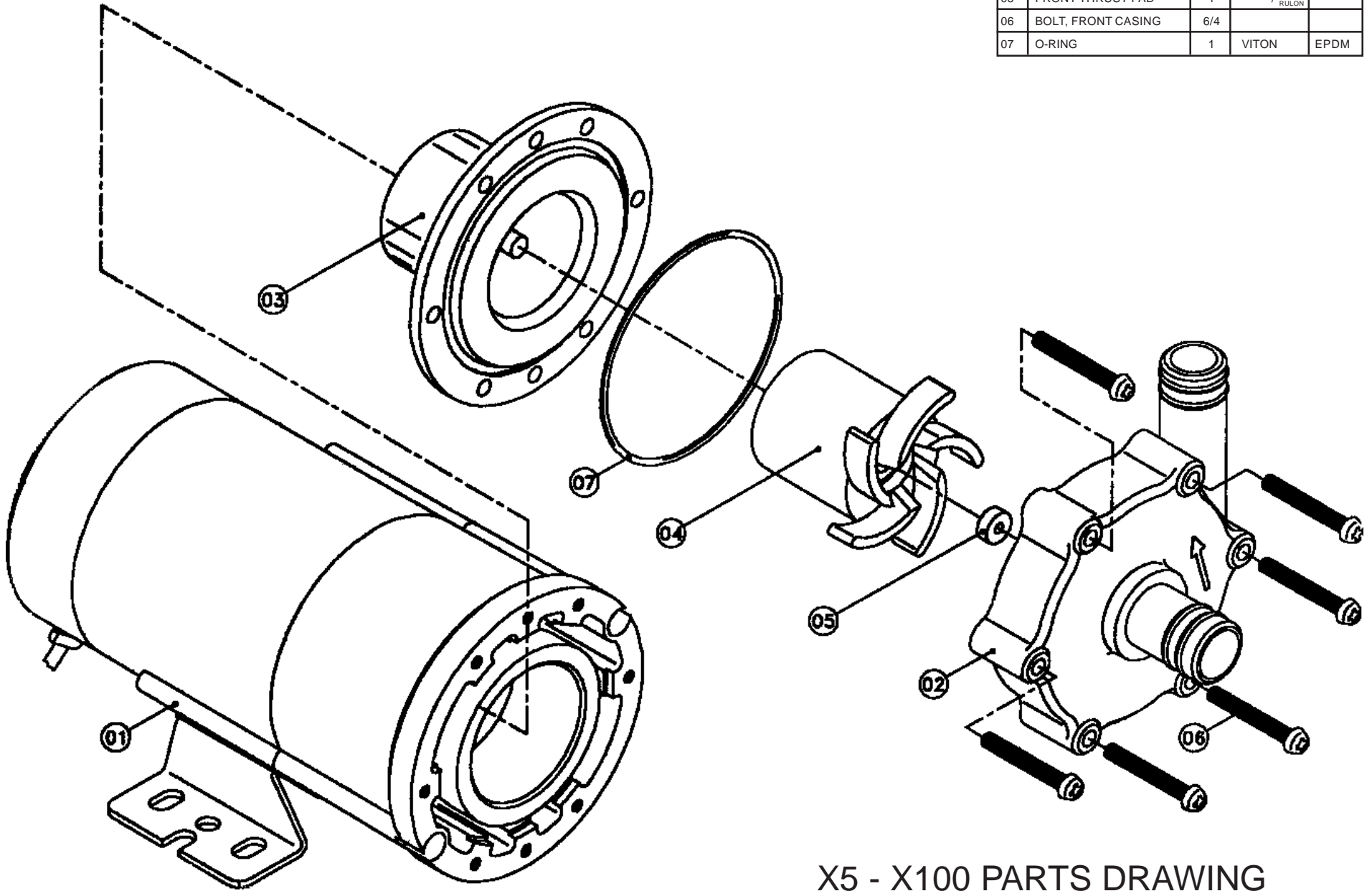


NO.	PART NAME	QTY.	MATERIAL	NOTES
01	MOTOR	1		
02	FRONT CASING	1	PPG ETFE PVDF	Hose/ Thread
03	REAR CASING	1	PPG ETFE PVDF	
04	MAG-CAPSULE IMPELLER	1	PPG ETFE PVDF	Cer/SiC
05	FRONT THRUST PAD	1	PPS /SiC/ RULON	
06	BOLT, FRONT CASING	6/4		
07	O-RING	1	VITON	EPDM



X5 - X100 PARTS DRAWING