

STAINLESS STEEL PP SERIES



Features

- Lifts liquid up to 7 feet
- Pumps up to 48 feet of shut off
- Rigid stainless steel handle
- Self priming
- 6 ft. cord with grounded plug
- Thermally protected motor (115 VAC)
- Two extra replacement impellers included

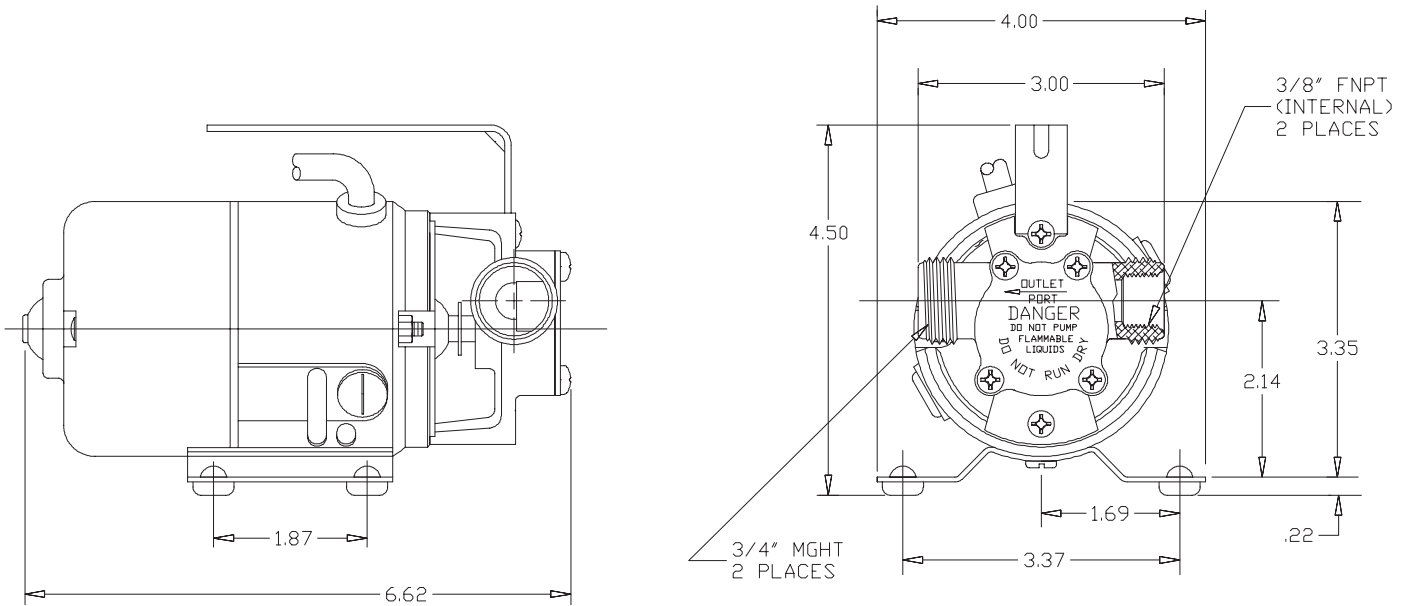
Construction

- Volute — Nickel Plated Brass
- Impeller — Buna-N
- Housing — Nickel plated brass
- Cover — Stainless Steel
- Shaft Seal — Buna-N
- Discharge — Garden hose hookup or 3/8" FNPT for pipe
- Cam — Stainless Steel

These lightweight, portable pumps, with self-priming, siphon-like action, can be used to empty waterbeds, drain water heaters or aquariums, pump out a basement, transfer water to an RV, pump boat bilges, pump out stock tanks, and in just about any other application where water needs to be transferred. Sets include two 10' (3m) hoses, strainer, and carrying handle and floor attachment for inlet hose. Alligator clips and 1' of two-conductor cable in 12 VDC kit only. Pump inlets and outlet are dual-threaded 3/8" FNPT and 3/4" garden hose thread. Removes water down to 1/8" (3.2mm). Intermittent duty is 15 minutes on, 45 minutes off.

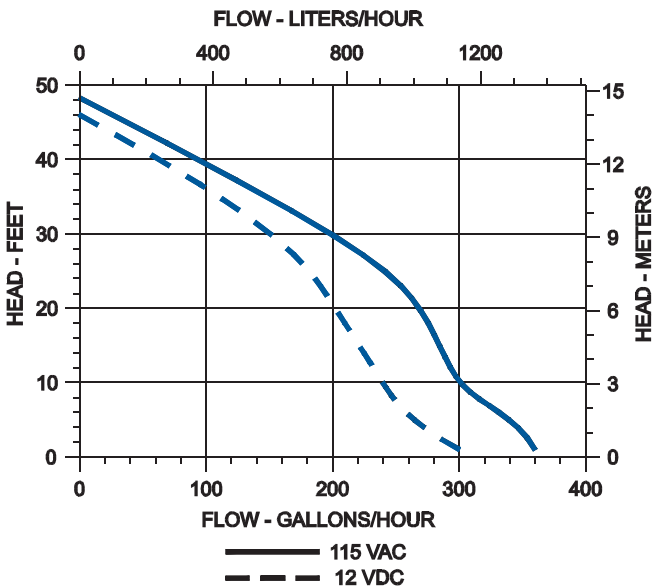
Little Giant Pump Co.

STAINLESS STEEL PP SERIES



Specifications

Model No.	Item No.	Discharge Size	Listing(s)	Volts	Amps	Performance (GPH @ Head)					Shut Off		Pwr. Cord (ft)	Weight (Lbs)
						1'	5'	10'	20'	30'	Feet	PSI		
PP-1S	555103	3/4" MGHT/ 3/8" FNPT	cULus	115VAC	1.6	360	342	300	270	198	48.3	20.9	6'	5.25
PPS-1S	555153	3/4" MGHT/ 3/8" FNPT	cULus	115VAC	1.6	360	342	300	270	198	48.3	20.9	6'	8.75
PP-12S	555203	3/4" MGHT/ 3/8" FNPT	N/A	12VDC	7.0	300	258	240	202	150	46.0	19.9	1'	3.75
PPS-12S	555253	3/4" MGHT/ 3/8" FNPT	N/A	12VDC	7.0	300	258	240	202	150	46.0	19.9	1'	7.00



Little Giant Pump Co.

PO Box 12010 • Oklahoma City, OK 73157

Phone: 405.947.2511 • Fax: 405.228.1550

E-mail: customerservice@littlegiant.com