



Evacuator

High volume utility pump



Xylem's Rule Evacuator high volume utility pump is ideal for fast evacuation of water from a vessel.

A favorite of tow boat operators, the Evacuator is comprised of two 4,000 GPH (15,141 LPH) pumps in tandem, with a net volume at open discharge of 7,700 GPH (29,148 LPH). Useful for non-marine applications as well, including dewatering flooded basements, swimming pools, or excavations, the Rule Evacuator is a great alternative to gas-powered pumps. The Evacuator simply connects to a 12V battery. A 3-inch discharge hose is required in this application.

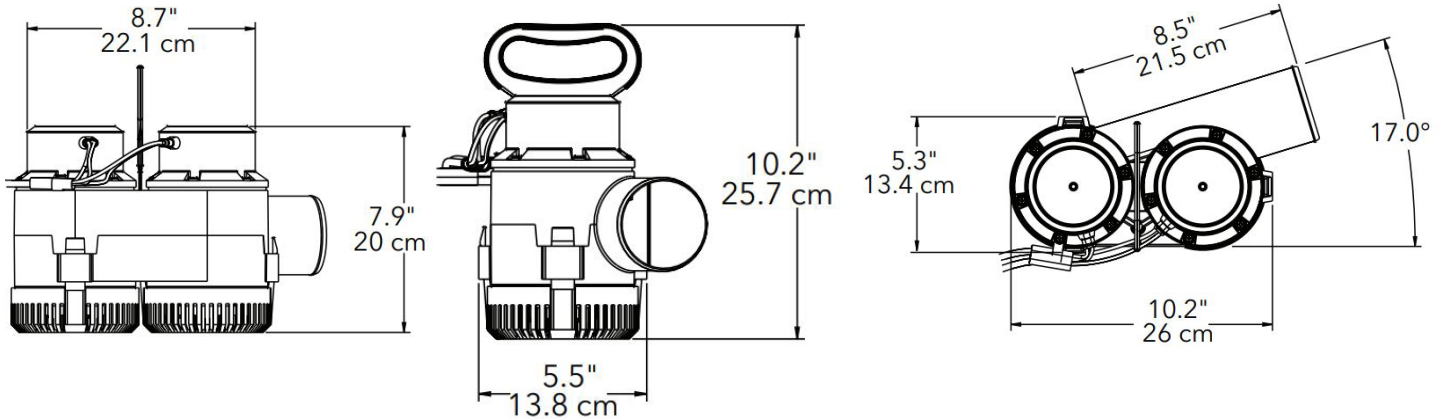
Features:

- High capacity, 12V utility pump
- Discharges up to 7,700 GPH (29,148 LPH)
- 3-inch barbed discharge port
- Built in back up allows each pump to operate independently, if necessary
- Long power leads at 7 ft. (2 m)

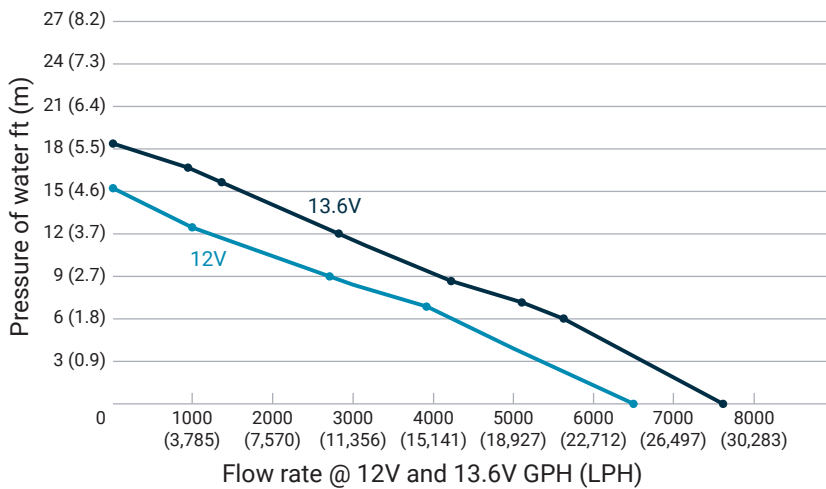
Specifications

Model	Voltage	Fuse size	Max amp draw	Discharge port	Max flow	Protection	Cable length
7700D	12V dc	25 Amp for each motor	30 Amps (approx.)	3" (7.6 cm) barbed	7,700 GPH (29,148 LPH)	Thermal Cut Off (TCO) for each motor	7 ft. (2 m)

Dimensional drawings



Performance curve



Relevant standards

- ISO 8846 MARINE Ignition Protection
- EN 60945
- ISO 8849 MARINE Bilge Pump Standard
- Built to ISO 15083 Specification
- ISO 13297



Scan the QR code to access the product page for complete product details.