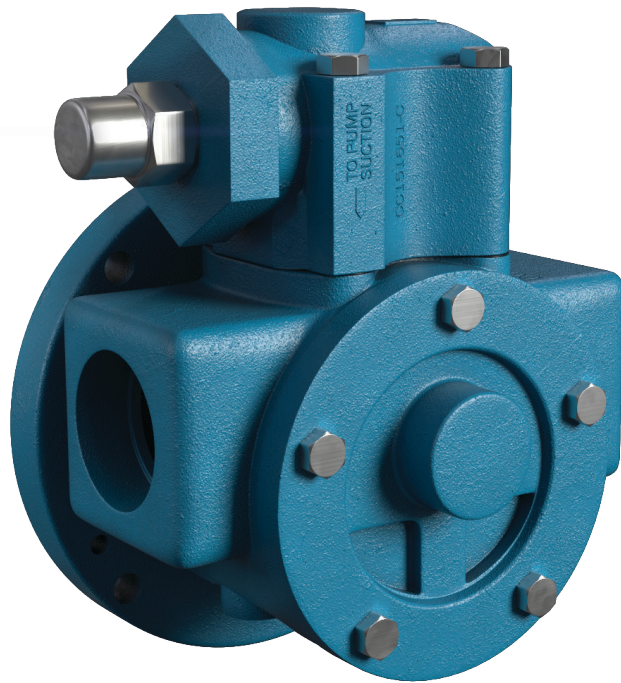


LUBETECH

CC SERIES

ENGINEERING DATA PACK



MADE IN USA

TABLE OF CONTENTS

CC Pump Model Number System	3
CC Pump Model Materials of Construction	3
CC Pump Temperature Limits.....	4
Series Pump Data.....	4
Viscosity Correction Factor	4
CC09 Pump/NEMA Motor Mounting Dimensions	5
CC015, 020 & 030 Pump/NEMA Motor Mounting Dimensions	5

CC PUMP MODEL NUMBER SYSTEM

POSITION #	PUMP SERIES		MATERIAL OF CONSTRUCTION	FRAME SIZE	PUMP SIZE			PORTING	SEAL ELASTOMER	ROTAION		VALVE TYPE	SPECIAL MODIFICATION
	1	2			3	4	5			6	7		

POS. 1 & 2 - PUMP SERIES

CC

POS. 8 - PORTING

1 = NPT

POS. 12 - VALVE TYPE

V = Relief Valve

POS. 3 - MATERIAL OF CONSTRUCTION

I = Iron

POS. 9 - SEAL ELASTOMER

3 = Buna

5 = Neoprene

7 = Viton

8 = EPR

9 = Other (All Type 2)

POS. 13 - SPECIAL MODIFICATION

Assigned by Tuthill Pump Group engineering as required

POS. 4 - FRAME SIZE

1 = 5/8" (56C)

2 = 7/8" (143/145TC)

POS. 5, 6, & 7 - PUMP SIZE

009

015

020

030

POS. 10 & 11 ROTATION

C = Clockwise

CC = Counterclockwise

CC PUMP MATERIALS OF CONSTRUCTION

		MATERIAL	AVAILABILITY	STANDARD	COMMENTS
PART NAME	HOUSING	Cast Iron	Standard	ASTM A48 – 96a	Classes 30, 35, or 40
	COVER	Cast Iron			
	ROTOR	Ductile Iron		ASTM A536	Ductile Iron Grade 80-55-06
	IDLER	Ductile Iron			
	IDLER PIN	Steel		C1117	Heat Treated
	IDLER BUSHING	Carbon		Carbon Graphite Resin	
	RELIEF VALVE BODY	Cast Iron		ASTM A48 – 96a	Classes 30, 35, or 40
	RELIEF VALVE BLOCK-OFF PLATE	Steel		ASTM A36	
	GASKETS	Standard		Oriented Polyester	
	SEAL	Viton		Garlock	Used for Relief Valve Pumps Only

CC PUMP TEMPERATURE LIMITS

		MINIMUM	MAXIMUM
MATERIAL	CARBON BUSHING	-100 °F	500 °F
	VITON	-10 °F	375 °F

NOTE: A pump's performance is dependent on more than just the temperature ranges of the component materials.

SERIES PUMP DATA

NPSH Required for Tuthill "CC" Series pumps 0-750 SSU

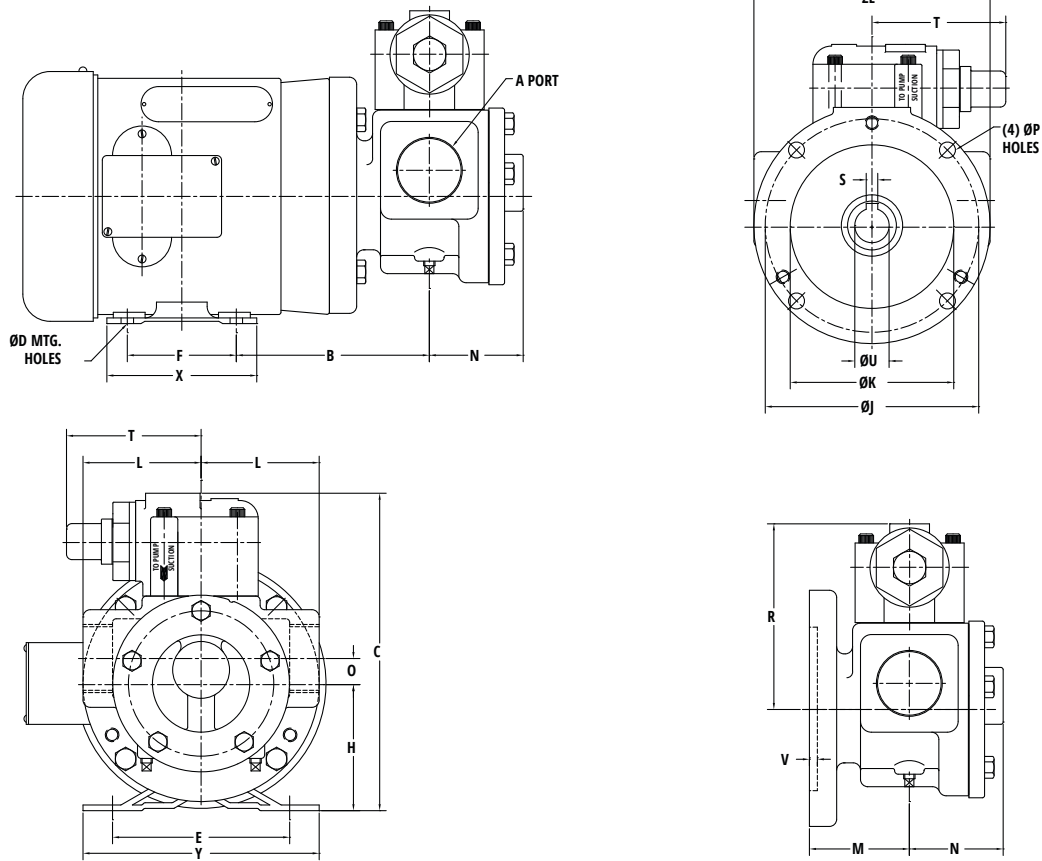
		300	600	900	1200	1500	1800
PUMP SERIES	CC009	1.4 FT	1.9 FT	3.1 FT	4.5 FT	6.4 FT	9.1 FT
	CC015	1.5 FT	2.1 FT	3.3 FT	5.0 FT	7.0 FT	9.8 FT
	CC020	1.6 FT	2.3 FT	3.6 FT	5.5 FT	7.7 FT	10.4 FT
	CC030	1.7 FT	2.6 FT	4.1 FT	6.6 FT	9.1 FT	11.8 FT

NOTE For liquid viscosity up to 750 SSU NPSHA (Net Positive Suction Head Available) must be greater than the NPSHR (Net Positive Suction Head Required) value provided in the table. Values above are for feet of liquid with a Specific Gravity of (1.0).

VISCOSITY CORRECTION FACTOR

1000 SSU	1500 SSU	2000 SSU	2500 SSU
1.15 Correction Factor	1.20 Correction Factor	1.25 Correction Factor	1.3 Correction Factor

CC09 PUMP/NEMA MOTOR MOUNTING DIMENSIONS

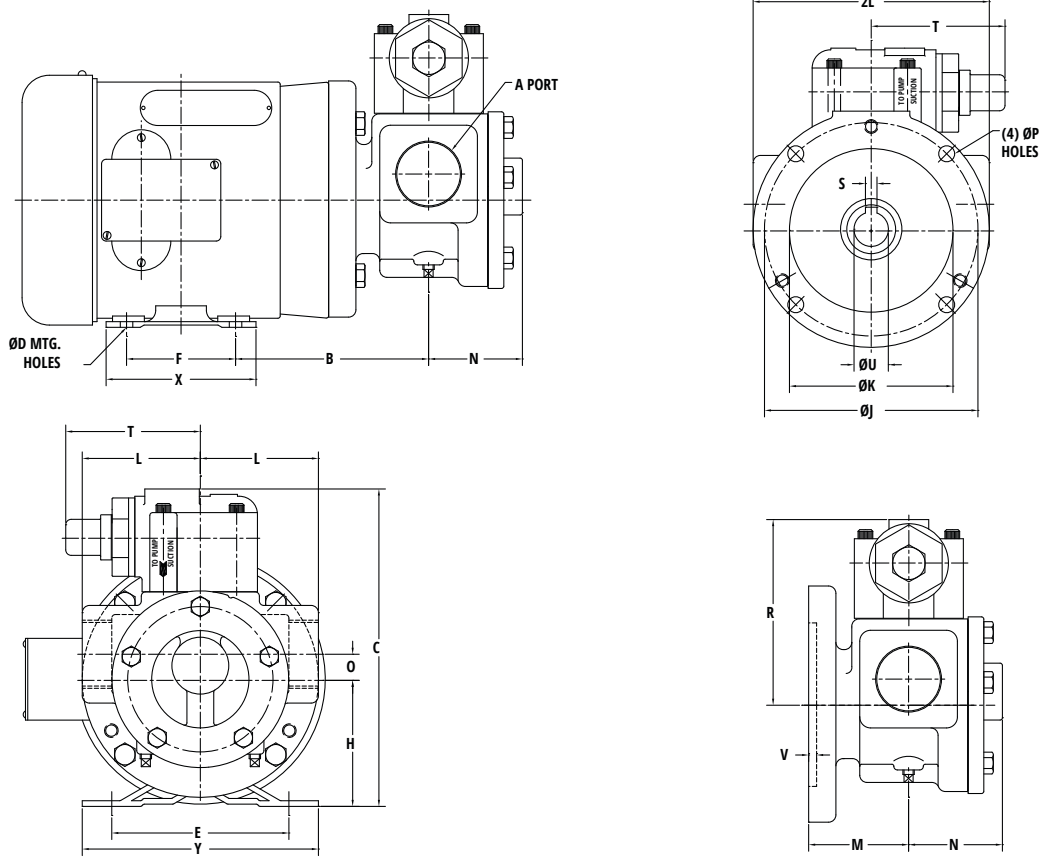


MOTOR FRAME SIZE

	A	B	C	D	E	F	H	J	K	L	M	N	O
56C		5 25/64"	8 5/16"	11/32"	4 7/8"	3"	3 1/2"	5 7/8"	4 1/2"	2 1/2"	2 53/64"	1 31/64"	17/32"
143TC	1" NPT	5 5/64"	8 5/16"	11/32"	5 1/2"	4"	3 1/2"	5 7/8"	4 1/2"	2 1/2"	2 53/64"	1 31/64"	17/32"
145TC		5 5/64"	8 5/16"	11/32"	5 1/2"	5"	3 1/2"	5 7/8"	4 1/2"	2 1/2"	2 53/64"	1 31/64"	17/32"

	P	R	S	T	U	V	X	Y
56C	15/32"	4 13/16"	3/16"	3 23/32"	5/8"	15/64"	3 3/4"	6 3/16"
143TC	15/32"	4 13/16"	3/16"	3 23/32"	7/8"	15/64"	5"	6 7/8"
145TC	15/32"	4 13/16"	3/16"	3 23/32"	7/8"	15/64"	5"	6 7/8"

CC015, 020 & 030 PUMP/NEMA MOTOR MOUNTING DIMENSIONS



MOTOR FRAME SIZE

	A	B	C	D	E	F	H	J	K	L	M	N
56C	1 1/2" NPT	5 25/64"	8 49/64"	11/32"	4 7/8"	3"	3 1/2"	5 7/8"	4 1/2"	3 1/4"	2 47/64"	2 23/32"
143TC	1 1/2" NPT	5"	8 49/64"	11/32"	5 1/2"	4"	3 1/2"	5 7/8"	4 1/2"	3 1/4"	2 47/64"	2 23/32"
145TC	1 1/2" NPT	5"	8 49/64"	11/32"	5 1/2"	5"	3 1/2"	5 7/8"	4 1/2"	3 1/4"	2 47/64"	2 23/32"

	O	P	R	S	T	U	V	X	Y
56C	5/8"	15/32"	4 3/8"	3/16"	3 45/64"	5/8"	15/64"	3 3/4"	6 3/16"
143TC	5/8"	15/32"	5 17/64"	3/16"	3 45/64"	7/8"	15/64"	5"	6 7/8"
145TC	5/8"	15/32"	5 17/64"	3/16"	3 45/64"	7/8"	15/64"	6"	6 7/8"

REGULATORY COMPLIANCE INFORMATION



The "00" Series pumps comply with the Nam enim nisi, sagittis sit amet dui sed, accumsan ullamcorper.

THE FOLLOWING STANDARDS WERE USED TO VERIFY CONFORMANCE:

Lorem ipsum dolor sit amet, consectetur adipiscing elit. Nam enim nisi, sagittis sit amet dui sed, accumsan ullamcorper dui. Maecenas maximus varius orci, id elementum leo facilisis nec. Praesent semper et odio a sodales. Nam enim nisi, sagittis sit amet dui sed, accumsan ullamcorper.



The "00" Series pumps comply with the Nam enim nisi, sagittis sit amet dui sed, accumsan ullamcorper.

THE FOLLOWING STANDARDS WERE USED TO VERIFY CONFORMANCE:

Lorem ipsum dolor sit amet, consectetur adipiscing elit. Nam enim nisi, sagittis sit amet dui sed, accumsan ullamcorper dui. Maecenas maximus varius orci, id elementum leo facilisis nec. Praesent semper et odio a sodales. Nam enim nisi, sagittis sit amet dui sed, accumsan ullamcorper.



The "00" Series pumps comply with the Nam enim nisi, sagittis sit amet dui sed, accumsan ullamcorper.

THE FOLLOWING STANDARDS WERE USED TO VERIFY CONFORMANCE:

Lorem ipsum dolor sit amet, consectetur adipiscing elit. Nam enim nisi, sagittis sit amet dui sed, accumsan ullamcorper dui. Maecenas maximus varius orci, id elementum leo facilisis nec. Praesent semper et odio a sodales. Nam enim nisi, sagittis sit amet dui sed, accumsan ullamcorper.

Ingersoll Rand

12500 South Pulaski Road
Alsip, Illinois 60803 USA
P: 800.875.8242



MADE IN USA