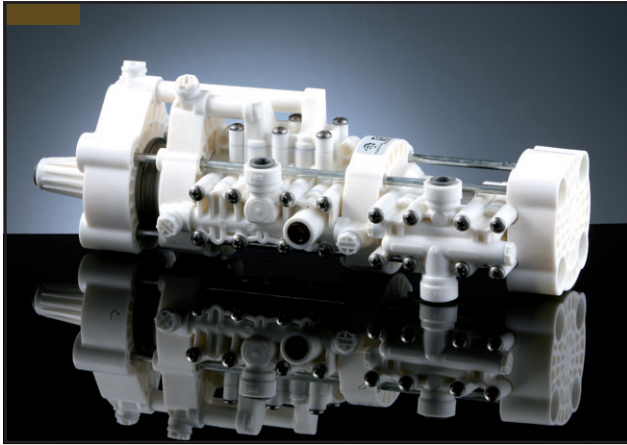


Fluid-o-Tech hydraulically operated proportioning pump FPP series



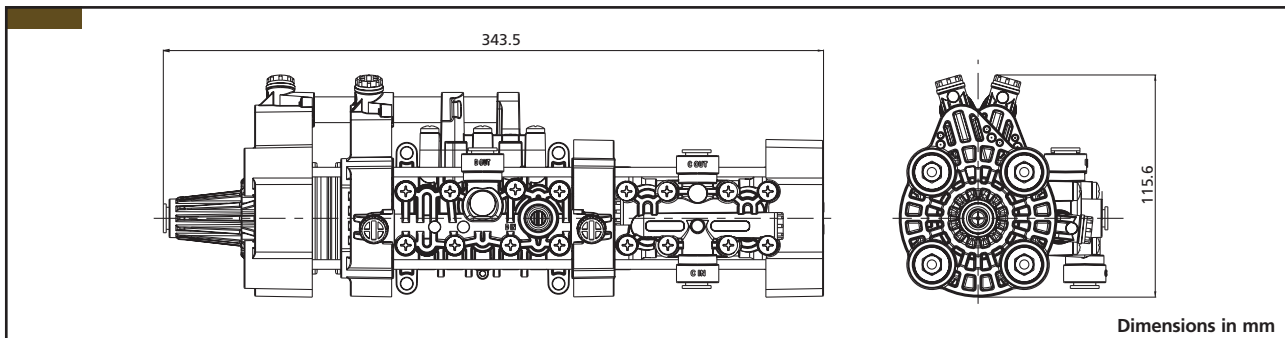
The Fluid Powered Proportioning Pump FPP series, developed by Fluid-o-Tech, is designed to mix two different fluids with a high degree of accuracy. The pump operates thanks to the energy stored in any pressurized fluid, which gives power to the unit. The mixing ratio, determined by the dimensions of the two chambers, is constant regardless of the flow rate and pressure requested by the application. The food grade materials used in the pump, have a high degree of compatibility.

Technical features and manufacturing characteristics

- Mixing ratio: 3:1 to 10:1 non adjustable
Values out of this range are custom
- Mixing ratio accuracy: $\pm 2\%$
- Recommended flow rate: 250-350 l/h (when 5:1 ratio)
- Fluid delivered: 49 cc/stroke (when 5:1 ratio)
- Anti-stall valve to grant operations under every condition
- Sanitary design
- Max. inlet working pressure: 20 bar
- Working temperature: 2 to 40 °C
- Wet materials: Polybutylene Terephalate, EPDM, 316 Stainless Steel, Polyethylene
- Suction lift (wet): 0.4 bar absolute
- Standard fittings: JG 5/16" water inlet, JG 3/8" other ports

Patent Pending

FPP



Main applications

- Post-mix dispensers
- Chemical dosing
- Food equipment
- Sanitation equipment
- Fertilizer mixing
- Pressure multiplier

Characteristics with water at 20 °C (68 °F). For applications involving other fluids, high temperatures or unusual processing conditions, please consult the factory or an authorized Fluid-o-Tech distributor. Weight: 2,4 kg (5,29 Lbs).

Fluid-o-Tech reserves the right to alter the specifications indicated in this catalogue at any time and without prior notice.

FPP – 03/09 Ed.