

Magnet drive gear pump-motor units MGCF04S/MGCF11S series



Find out more

The compact precision performance pumps MG or PG series are designed to fit high technology applications. The magnet drive principle provides a totally sealed pump chamber which is capable of handling a wide range of corrosive fluids with a high degree of safety. The pump housing is available in AISI 316L, SAF 2205 or AISI 303. In operation the MG series pumps are noiseless, pulsation-free and capable of handling relatively high temperature liquids up to 120 °C (248 F).

The coupling with the MGCF04S, MGCF11S units designed for heavy duty, provides a reliable and noiseless operation in a compact size package. The pole-to-pole alignment of the two magnets provides the driving motion to the pump. Decoupling will occur when the pump load exceeds the coupling torque between the magnets.

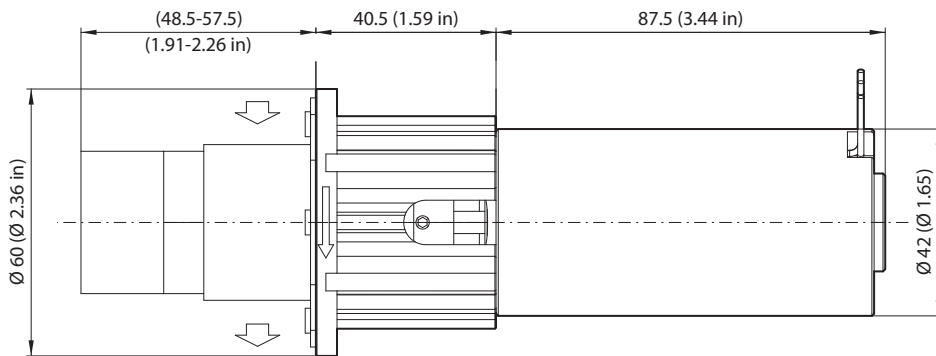


MAIN APPLICATIONS

- Medical and surgical equipment
- Hemodialysis apparatus
- Laser apparatus
- Lubrication
- Ink-jet printing systems
- Cooling systems
- Laboratory instrumentation
- Water purification and ultra-filtration
- Sampling
- Food processing equipment



MGCF04S-MGCF11S

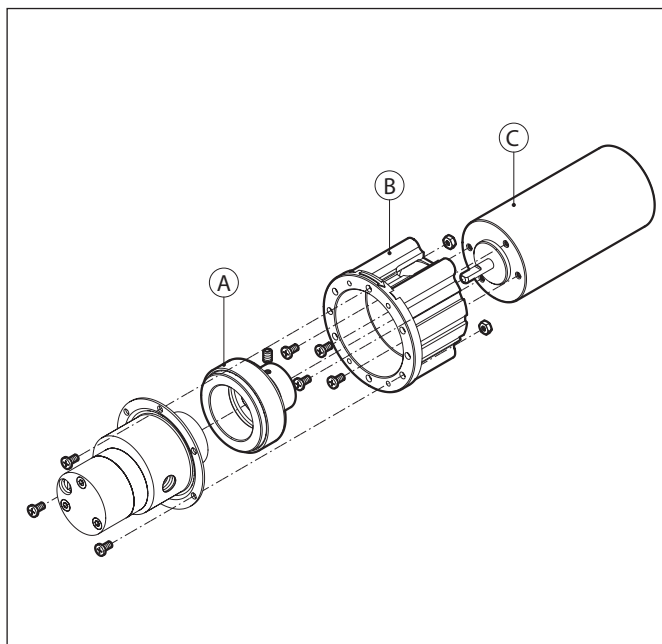


Dimensions in mm/inches

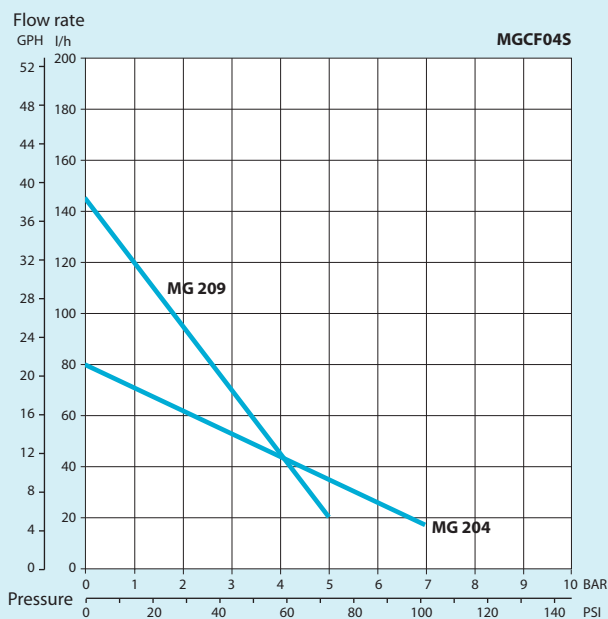
Magnet drive gear pump-motor units MGCF04S/MGCF11S series

POS	DESCRIPTION	FEATURES	CODE
A	Driving magnet	For 5 mm bore	MGAF05S
A+B	Complete adapter	For KAG M42x30	MGBF42S
A+B+C	Complete motor assembly	See table below	MGCF04S MGCF11S

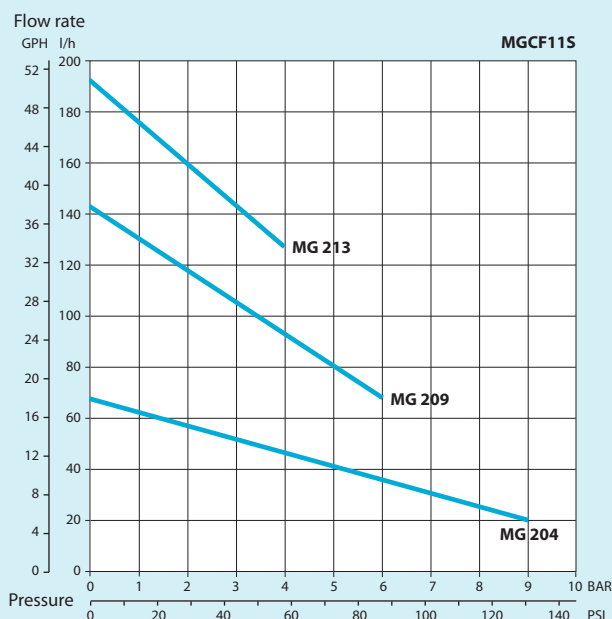
DRIVE TYPE	MGCF04S	MGCF11S
Supply voltage	12 DC	24 DC
Rated speed	3.300 rpm	3.000 rpm
Current consumption	3,4 A	1,5 A
Output power	25,9 W	23,6 W
Weight	500 g	500 g



MGCF04S



MGCF11S



Note: Characteristics with water at 20 °C (68 F) and without relief valve, max vacuum 724 mmHg. Use filter before pump inlet not larger than 10 micron. Unit weight: 1.1 kg (2.4 Lb). Temperature requirements different from ambient temperature must be mentioned on the order.

Fluid-o-Tech reserves the right to alter the specifications indicated in this catalogue at any time and without prior notice.

Fluid-o-Tech srl
Via Leonardo da Vinci, 40
20094 Corsico, Milano, Italy
Tel. +39 02 8917071
Fax +39 02 89170799
info@fluidotech.it

Fluid-o-Tech Int'l Inc.
161 Atwater St.,
06479 Plantsville CT (USA)
Tel. +1 (860) 276-9270
Fax +1 (860) 620-0193
info@fluid-o-tech.com

Fluid-o-Tech Int'l Inc. Japan
203, 2-17-19, Ebara, Shinagawa
Tokyo 142-0063, Japan
Tel. +81 (0) (3) 3783-9660
Fax +81 (0) (3) 3783-9661
k.kato@fluidotech.com

Fluid-o-Tech Asia (Beijing) Co., Ltd
Jingwei Industrial Zone,
Beifang Huairou, Beijing, 101400, PRC
Tel. +86 (0) (10) 61684650
Fax +86 (0) (10) 61684651
info@fluidotech-asia.com