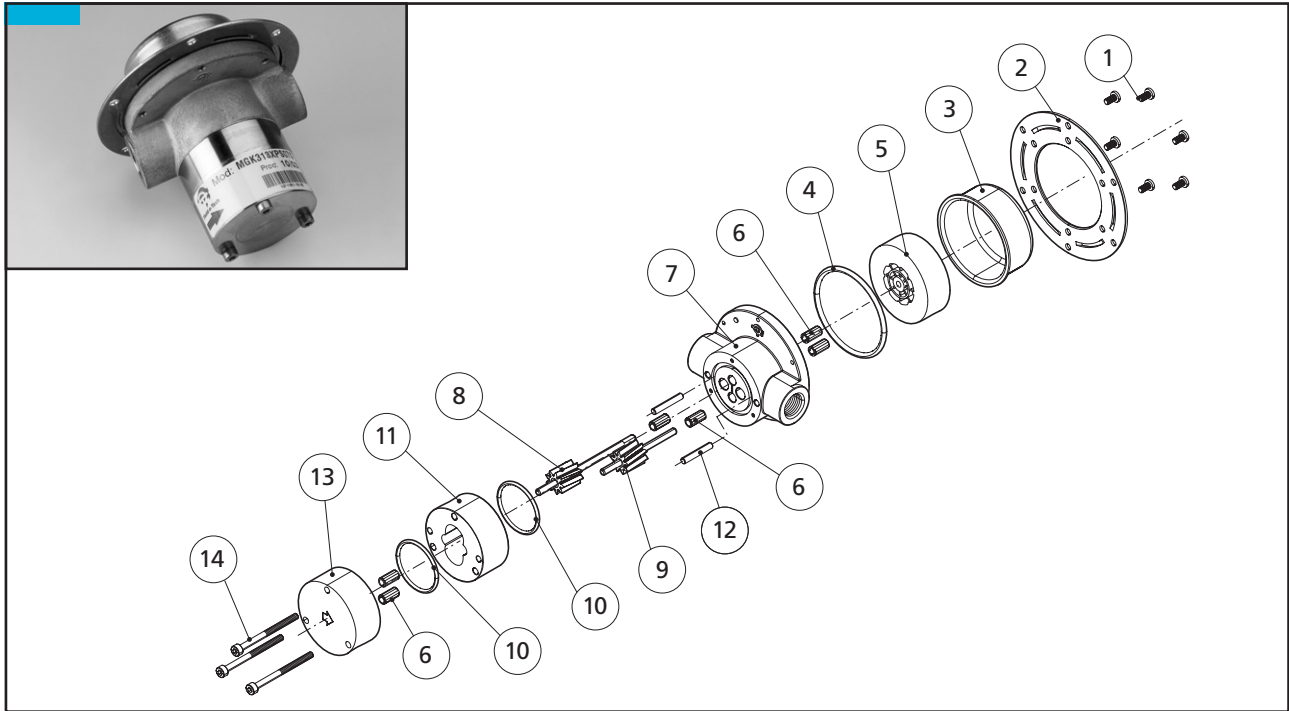


MK300 Series Magnet Drive Gear Pumps spare parts list

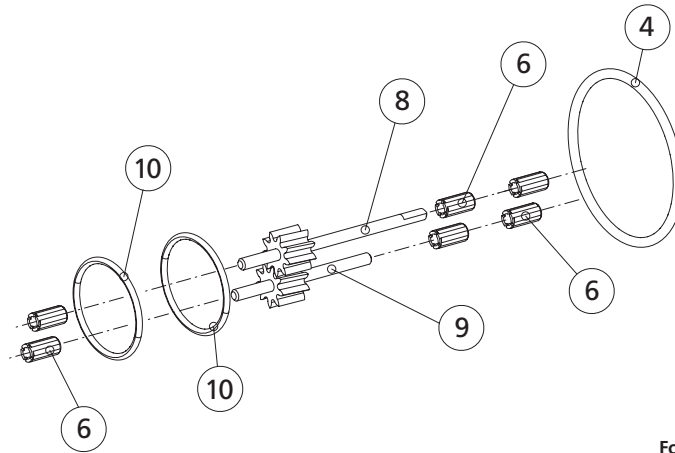


POS.	DESCRIPTION	MATERIAL	CODE	NOTES
1	FLANGE SCREW	S.S.	60027	
2	MOUNTING FLANGE	S.S.	60372	
3	MAGNET CUP	S.S.	60258	
4	O-RING SEAL	EPDM	201204	
		SILICONE	60365	
		VITON®	201203	
5	DRIVEN MAGNET	FERRITE	60651	
6	BUSHING	PEEK	60209	
7	REAR HOUSING	S.S.	60369	1/4" GAS PORTS
			60665	9 mm
8	DRIVING GEAR	PEEK	62607	13 mm
			630600	17 mm
			60666	9 mm
9	DRIVEN GEAR	PEEK	62608	13 mm
			630601	17 mm
			60666	9 mm
10	O-RING SEAL	EPDM	60337	
		SILICONE	60371	
		VITON®	60335	
11	CAVITY PLATE	S.S.	60465	9 mm
			62027	13 mm
			630101	17 mm
12	DOWEL PIN	S.S.	60047	9 mm GEARS
			62002	13 mm GEARS
			630700	17 mm GEARS

MK300 Series Magnet Drive Gear Pumps spare parts list

POS.	DESCRIPTION	MATERIAL	CODE	NOTES
13	FRONT HOUSING	S.S.	60370	
			60463	9 mm GEARS - (M3 x 30)
14	MAIN SCREW	S.S.	62032	13 mm GEARS - (M3 x 35)
			631403	17 mm GEARS - (M3 x 40)

Gears repair kit



For reference number see front page

DESCRIPTION	MATERIAL	CODE	NOTES
GEARS REPAIR KIT	PEEK + SILICONE	KG MK309PS	9 mm
		KG MK313PS	13 mm
		KG MK317PS	17 mm
	PEEK + EPDM	KG MK309PE	9 mm
		KG MK313PE	13 mm
		KG MK317PE	17 mm
	PEEK + VITON®	KG MK309PV	9 mm
		KG MK313PV	13 mm
		KG MK317PV	17 mm

SPARES – MK300 – 01/09 Ed.

Fluid-o-Tech srl
Via Leonardo da Vinci, 40
20094 Corsico, Milano, Italy
Tel. +39 02 8917071
Fax +39 02 89170799

Fluid-o-Tech Int'l Inc.
161 Atwater St.,
Plantsville CT (USA) 06479
Tel. +1 (860) 276-9270
Fax +1 (860) 620-0193

Fluid-o-Tech Int'l Inc. Japan
203, 2-17-19, Ebara, Shinagawa
Tokyo 142-0063, Japan
Tel. +81 (0) (3) 3783-9660
Fax +81 (0) (3) 3783-9661

Fluid-o-Tech Asia (Beijing) Co., Ltd
Jingwei Industrial Zone,
Beifang Huairou, Beijing, 101400, PRC
Tel. +86 (0) (10) 61684650
Fax +86 (0) (10) 61684651