

# Fluid-o-Tech rotary vane pumps 4000 series



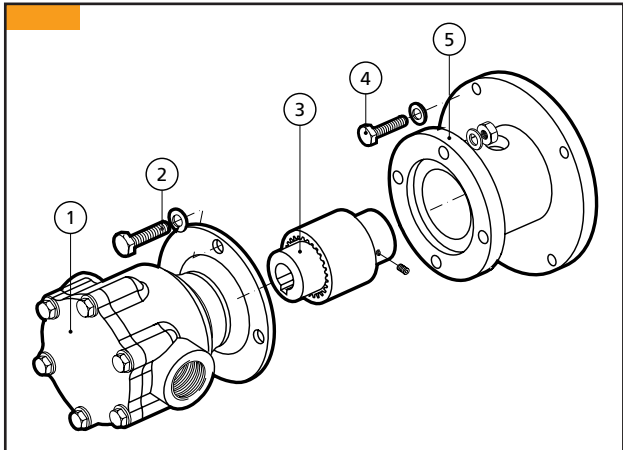
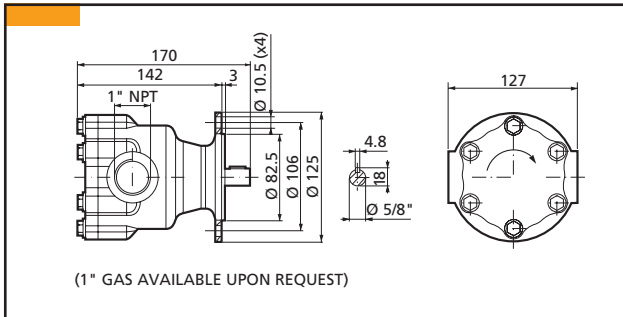
The 4000 series rotary vane pumps, available in 7 different displacements, are the largest Rotoflow high technology volumetric pumps. The pump housing, the rotor and every metallic component are in AISI 303 stainless. AISI 316 is also available.

The pumping chamber and the vanes are in high impact carbon graphite. The self-lubricating property of polished stainless steel and carbon graphite makes this pump well suited for water and water based solutions. Inlet/outlet ports are 1" NPT female threaded (1" GAS available upon request). All models are available with NBR or Viton® seals.

## Main applications

- Reverse osmosis systems
- Cooling systems
- Car wash
- Irrigation

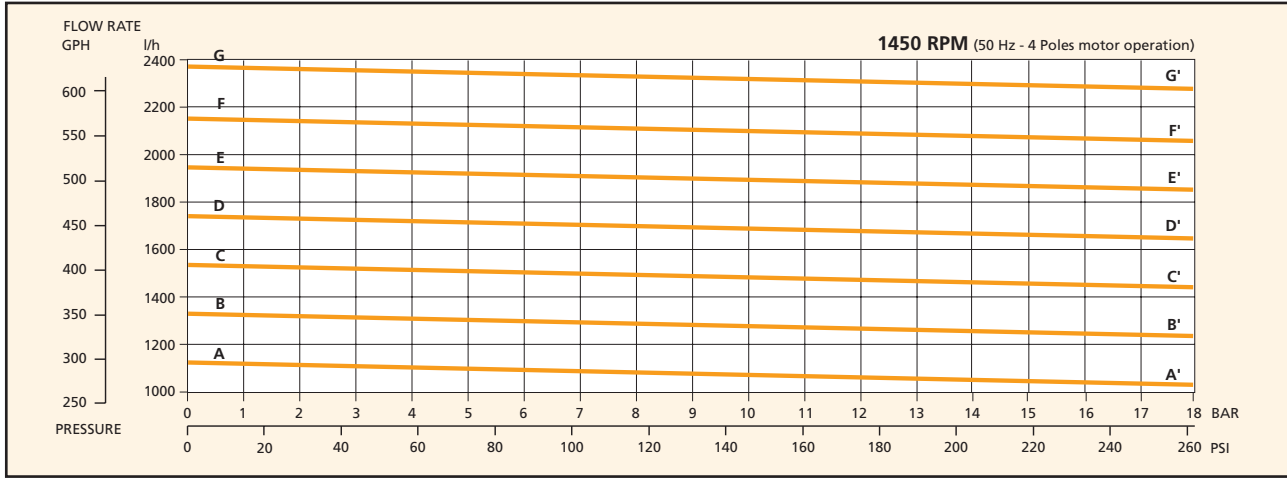
Max. motor speed: 1725 rpm  
 Max. temperature: 90 °C (194 °F)  
 Max. system pressure: 20 bar (290 psi)  
 (Safety valve recommended)



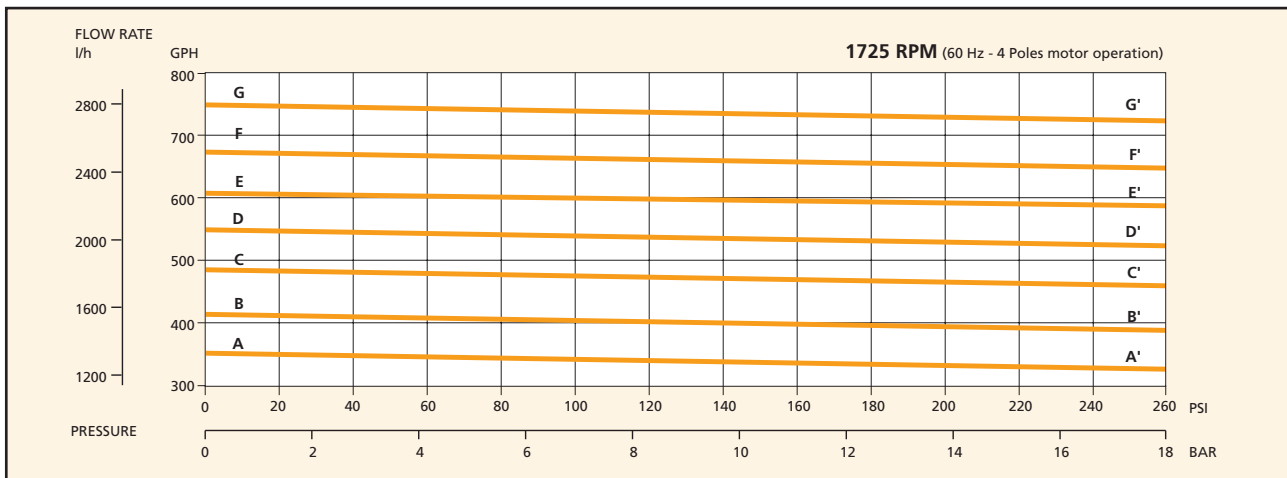
Pos.	Description	Material	Code
1	Pump	STAINLESS STEEL	-
2	Screw M10 x 35	STEEL	211402
	Washer		210903
	Nut M10		212100
3	Coupling M90	CAST IRON	211713
	Coupling Nema 56C		211715
	Coupling Nema 143TC-145TC		211714
4	Screw M8 x 25 for M90 B14	STEEL	211401
	Washer for M90 B14		210902
	Screw 3/8"x1" for Nema 56C-143TC-145TC		211403
	Washer for Nema 56C-143TC-145TC		210903
5	Adapter M90 B14	ALUMINIUM	211600
	Adapter M90 B14 with screws		211603
	Adapter Nema 56C-143TC-145TC		211602
	Adapter Nema 56C-143TC-145TC with screws		211605

# Fluid-o-Tech rotary vane pumps 4000 series

	2 BAR	6 BAR	10 BAR	14 BAR	18 BAR	
MODEL	FLOW l/h	FLOW l/h	FLOW l/h	FLOW l/h	FLOW l/h	FIGURE
PO4010	1114	1095	1076	1057	1038	A-A'
PO4020	1320	1301	1282	1263	1244	B-B'
PO4040	1526	1507	1488	1469	1450	C-C'
PO4060	1732	1713	1694	1675	1656	D-D'
PO4080	1938	1919	1900	1881	1862	E-E'
PO4100	2144	2125	2106	2087	2068	F-F'
PO4120	2350	2331	2312	2293	2274	G-G'



	20 PSI	80 PSI	140 PSI	200 PSI	260 PSI	
MODEL	FLOW GPH	FLOW GPH	FLOW GPH	FLOW GPH	FLOW GPH	FIGURE
PO4010	345	340	335	330	325	A-A'
PO4020	410	405	400	395	390	B-B'
PO4040	475	470	465	460	455	C-C'
PO4060	540	535	530	525	520	D-D'
PO4080	605	600	595	590	585	E-E'
PO4100	670	665	660	655	650	F-F'
PO4120	740	735	730	725	720	G-G'



Note: Characteristics at constant motor speed with water at 20 °C (68 °F) - Figures of flow are averages - Pump weight 5,3 kg (11,6 Lbs). For applications involving other fluids, high temperatures or unusual processing conditions, please consult the factory or an authorized Fluid-o-Tech distributor.

Fluid-o-Tech reserves the right to alter the specifications indicated in this catalogue at any time and without prior notice.

PO4000 – 03/09 Ed.

**Fluid-o-Tech srl**  
Via Leonardo da Vinci, 40  
20094 Corsico, Milano, Italy  
Tel. +39 02 8917071  
Fax +39 02 89170799

**Fluid-o-Tech Int'l Inc.**  
161 Atwater St.,  
Plantsville CT (USA) 06479  
Tel. +1 (860) 276-9270  
Fax +1 (860) 620-0193

**Fluid-o-Tech Int'l Inc. Japan**  
203, 2-17-19, Ebara, Shinagawa  
Tokyo 142-0063, Japan  
Tel. +81 (0) (3) 3783-9660  
Fax +81 (0) (3) 3783-9661

**Fluid-o-Tech Asia (Beijing) Co., Ltd**  
Jingwei Industrial Zone,  
Beifang Huairou, Beijing, 101400, PRC  
Tel. +86 (0) (10) 61684650  
Fax +86 (0) (10) 61684651