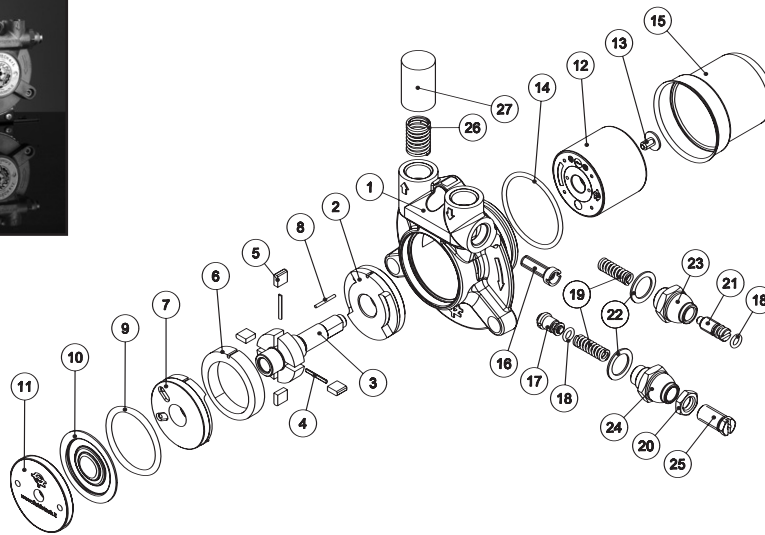
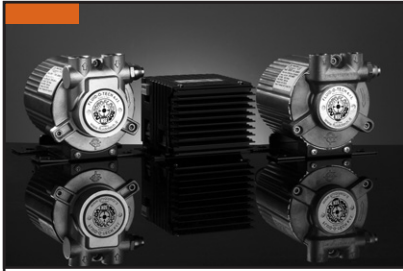


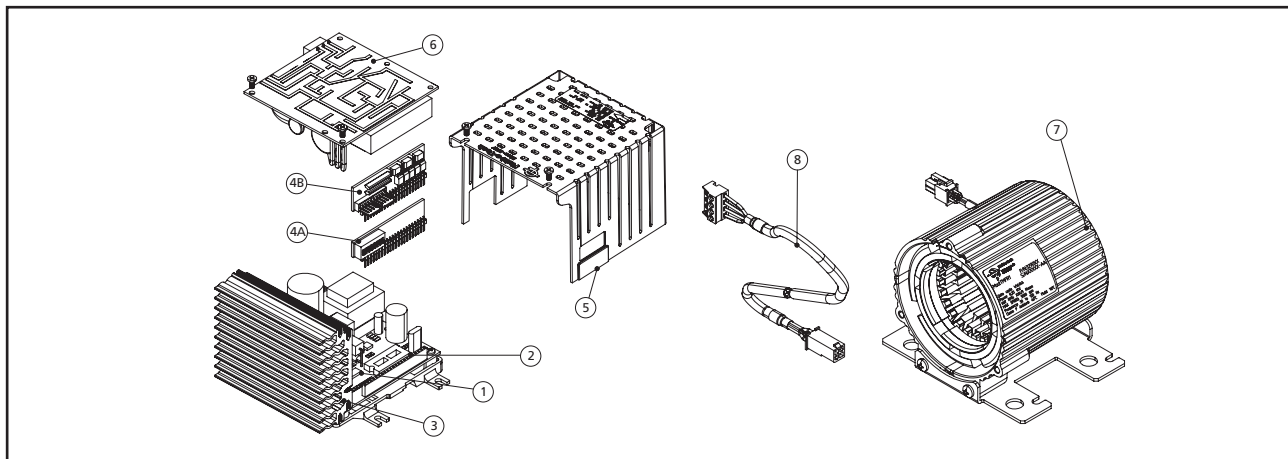
Rotary vane pump TMFR series spare parts list



POS.	DESCRIPTION	MATERIAL	CODE	NOTES
1	HOUSING	BRASS	32-01-02	
		S.S.	32-01-07	
2	REAR FLANGE	GRAPHITE	22-03-08	
3	ROTOR	S.S.	32-02-01	
4	PIN	PTFE	320702	50 l/h
			320701	70 l/h
			320700	100 l/h
			320703	150 l/h
		S.S.	22662	200 l/h
			22575	50 l/h
			22630	70 l/h
			22576	100 l/h
5	VANE	GRAPHITE	22577	150 l/h
			22622	200 l/h
6	LINER	GRAPHITE	24-04-03	
			24-05-08	30 l/h
			24-05-09	50 l/h
			24-05-10	70 l/h
			24-05-11	100 l/h
7	FRONT FLANGE	GRAPHITE	22-03-06	
8	ALIGNMENT PIN	S.S.	24-07-01	
9	O-RING	NBR	90-23-13	NSF
		VITON®	90-23-21	
		EPDM	90-23-14	
10	SHAPED DISK	S.S.	22701	
11	THREADED CUP	PLASTIC	22-08-03	
12	DRIVEN MAGNET	PLASTIC + RARE EARTHS	91-19-17	
13	SCREW	S.S.	201406	
14	MAGNET CUP O-RING	VITON®	90-23-48	
		EPDM	90-23-50	NSF

Rotary vane pump TMFR series spare parts list

POS.	DESCRIPTION	MATERIAL	CODE	NOTES
15	MAGNET CAP	S.S.	321300	
16	OPEN BYPASS VALVE	BRASS	22307	
		PLASTIC	22541	
	SOLID BYPASS VALVE	BRASS	22306	
		PLASTIC	22540	
17	BYPASS PLUNGER	PLASTIC	20-18-01	
		BRASS	22522	
18	BYPASS SCREW/PLUNGER O-RING	NBR	90-23-16	NSF
		VITON®	90-23-20	
		EPDM	90-23-24	
19	SPRING	S.S.	22505	
20	BALANCED BYPASS COUNTERNUT	BRASS	22168	
21	BYPASS SCREW	BRASS	22-17-03	
		S.S.	22520	
22	WASHER	NYLON®	22-12-01	
23	BYPASS NUT	BRASS	22-20-01	
		S.S.	22-20-04	
24	BALANCED BYPASS NUT	S.S.	22-20-02	
		BRASS	22-20-05	
25	BALANCED BYPASS SCREW	BRASS	22-17-02	
26	SPRING	S.S.	22023	
27	CAP	SPONGE	22044	



POS.	DESCRIPTION	MATERIAL	CODE	NOTES
1	CONTROL CARD 230 V AC		329100	
	CONTROL CARD 115 V AC		329102	
	CONTROL CARD 100 V AC		329104	
2	SUPPORT FOR PCB+CLIP	PLASTIC	323301+323302	
3	HEAT SINK	ANODIZED ALUMINIUM	323200	
4A	OPTO-COUPLED INTERFACE CARD		329103	
4B	DIP SWITCH INSULATED CARD		329107	
5	BOX FOR PCB	PLASTIC	323303	
6	SUPPRESSION FILTER 230 V AC		329101	
	SUPPRESSION FILTER 100V-115 V AC		329105	
7	230 V AC MOTOR		329001	
	115 V AC MOTOR		329003	UL
	100 V AC MOTOR		329004	
8	CONNECTING CABLE		325000	

Fluid-o-Tech reserves the right to alter the specifications indicated in this catalogue at any time and without prior notice.

SPARES – TMFR – 04/09 Ed.

Fluid-o-Tech srl
Via Leonardo da Vinci, 40
20094 Corsico, Milano, Italy
Tel. +39 02 8917071
Fax +39 02 89170799

Fluid-o-Tech Int'l Inc.
161 Atwater St.,
Plantsville CT (USA) 06479
Tel. +1 (860) 276-9270
Fax +1 (860) 620-0193

Fluid-o-Tech Int'l Inc. Japan
203, 2-17-19, Ebara, Shinagawa
Tokyo 142-0063, Japan
Tel. +81 (0) (3) 3783-9660
Fax +81 (0) (3) 3783-9661

Fluid-o-Tech Asia (Beijing) Co., Ltd
Jingwei Industrial Zone,
Beifang Huairou, Beijing, 101400, PRC
Tel. +86 (0) (10) 61684650
Fax +86 (0) (10) 61684651