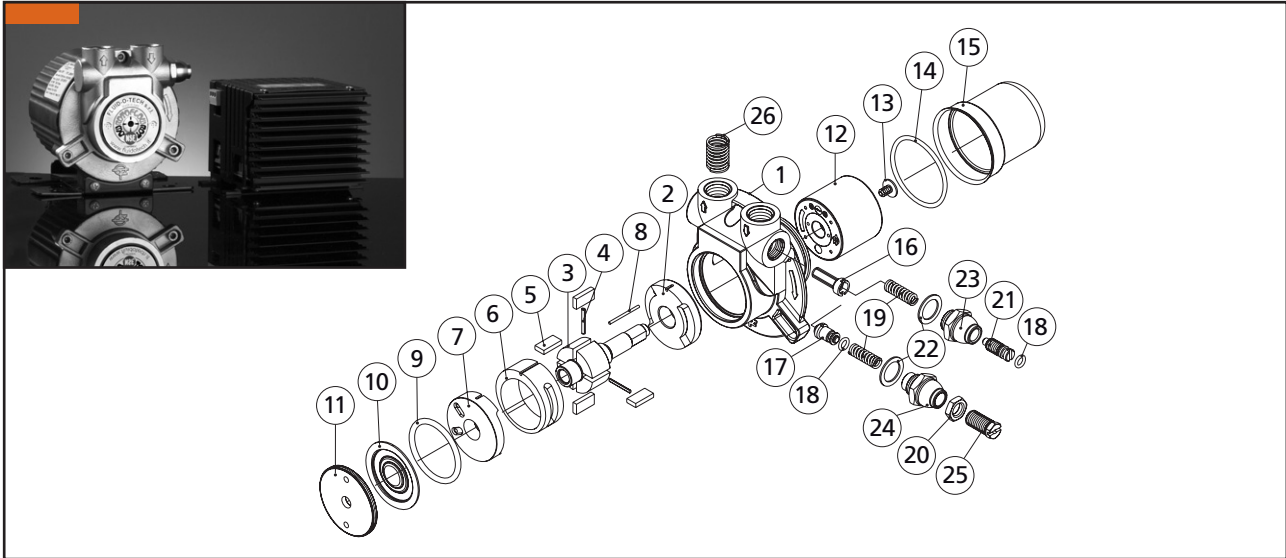


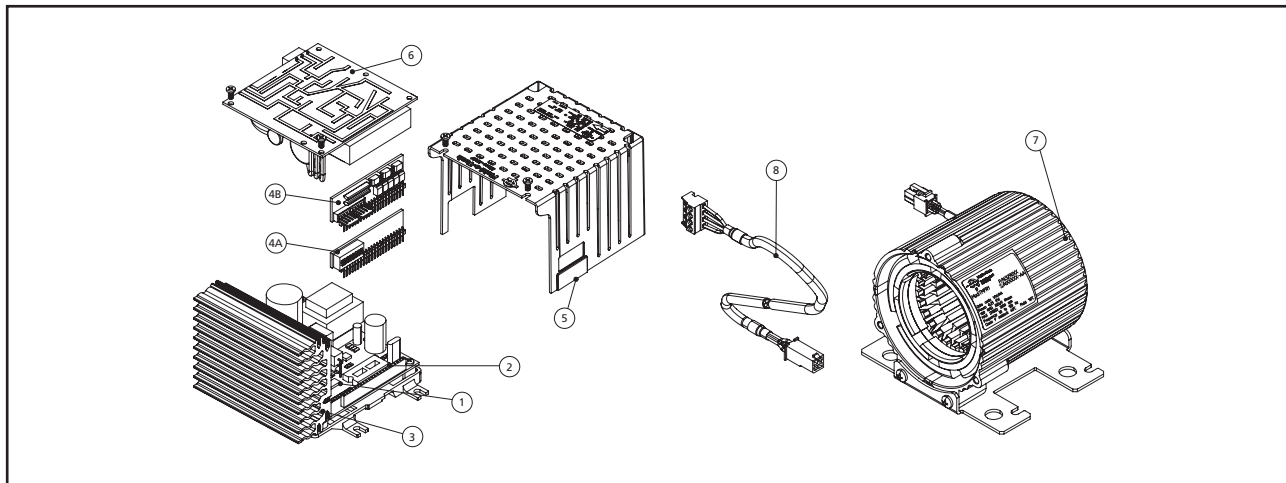
Rotary vane pump TSFR series spare parts list



POS.	DESCRIPTION	MATERIAL	CODE	NOTES
1	HOUSING	S.S.	31-01-01	NPT PORTS
			31-01-02	GAS PORTS
2	REAR FLANGE	GRAPHITE	22-03-08	
3	ROTOR	S.S.	31-02-01	
4	PIN	S.S.	22164	100 l/h
			22461	150 l/h
			22008	200 l/h
			22085	300 l/h
			22244	400 l/h
		PTFE	320702	100 l/h
			320701	150 l/h
			320700	200 l/h
			320703	300 l/h
			22662	400 l/h
5	VANE	GRAPHITE	22-04-03	
6	LINER	GRAPHITE	22-05-18	100 l/h
			22-05-19	150 l/h
			22-05-21	300 l/h
			22-05-24	350 l/h
			22-05-27	400 l/h
7	FRONT FLANGE	GRAPHITE	22-03-06	
8	ALIGNMENT PIN	S.S.	22-07-01	
9	O-RING	NBR	90-23-13	NSF
		VITON®	90-23-21	
		EPDM	90-23-14	
10	SHAPED DISK	S.S.	22701	
11	THREADED CUP	PLASTIC	22-08-03	
12	DRIVEN MAGNET	PLASTIC + RARE EARTHS	91-19-17	
13	SCREW	S.S.	201406	
14	MAGNET CUP O-RING	VITON®	90-23-48	
		EPDM	90-23-67	NSF

Rotary vane pump TSFR series spare parts list

POS.	DESCRIPTION	MATERIAL	CODE	NOTES
15	MAGNET CUP	S.S.	321300	
	OPEN BYPASS VALVE	BRASS	22307	
16	SOLID BYPASS VALVE	PLASTIC	22541	
		BRASS	22306	
17	BYPASS PLUNGER	PLASTIC	20-18-01	
		NBR	90-23-16	NSF
18	BYPASS SCREW O-RING	VITON®	90-23-20	
		EPDM	90-23-24	
19	SPRING	S.S.	22505	
20	BALANCED BYPASS COUNTERNUT	BRASS	22168	
21	BYPASS SCREW	S.S.	22520	
22	WASHER	NYLON®	22-12-01	
23	BYPASS NUT	S.S.	22-20-04	
24	BALANCED BYPASS NUT	S.S.	22-20-05	
25	BALANCED BYPASS SCREW	BRASS	22-17-02	
26	SPRING	S.S.	22023	



POS.	DESCRIPTION	MATERIAL	CODE	NOTES
1	CONTROL CARD 230 V AC		329100	
	CONTROL CARD 115 V AC		329102	
	CONTROL CARD 100 V AC		329104	
2	SUPPORT FOR PCB+CLIP	PLASTIC	323301+323302	
3	HEAT SINK	ANODIZED ALUMINIUM	323200	
4A	OPTO-COUPLED INTERFACE CARD		329103	
4B	DIP SWITCH INSULATED CARD		329107	
5	BOX FOR PCB	PLASTIC	323303	
6	SUPPRESSION FILTER 230 V AC		329101	
	SUPPRESSION FILTER 100-115 V AC		329105	
7	230 V AC MOTOR		329001	
	115 V AC MOTOR		329003	UL
	100 V AC MOTOR		329004	
8	CONNECTING CABLE		325000	

Fluid-o-Tech reserves the right to alter the specifications indicated in this catalogue at any time and without prior notice.

SPARES – TSFR – 04/09 Ed.

Fluid-o-Tech srl
Via Leonardo da Vinci, 40
20094 Corsico, Milano, Italy
Tel. +39 02 8917071
Fax +39 02 89170799

Fluid-o-Tech Int'l Inc.
161 Atwater St.,
Plantsville CT (USA) 06479
Tel. +1 (860) 276-9270
Fax +1 (860) 620-0193

Fluid-o-Tech Int'l Inc. Japan
203, 2-17-19, Ebara, Shinagawa
Tokyo 142-0063, Japan
Tel. +81 (0) (3) 3783-9660
Fax +81 (0) (3) 3783-9661

Fluid-o-Tech Asia (Beijing) Co., Ltd
Jingwei Industrial Zone,
Beifang Huairou, Beijing, 101400, PRC
Tel. +86 (0) (10) 61684650
Fax +86 (0) (10) 61684651