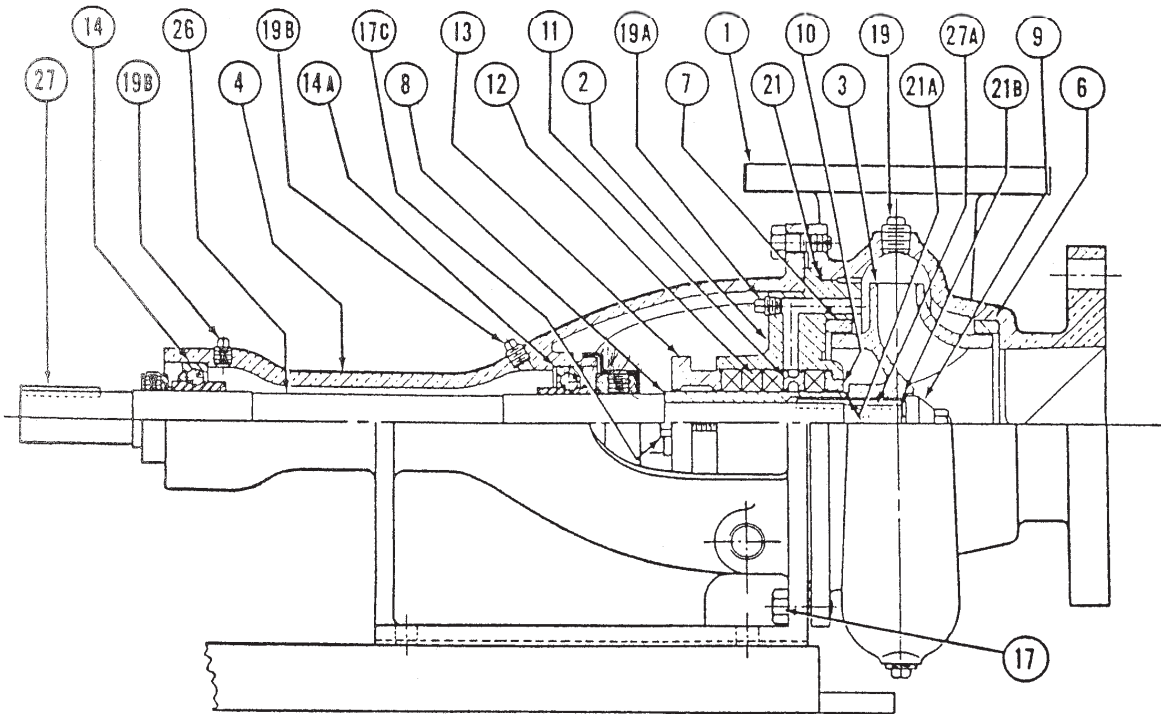


ZP PUMPS

AMPCO PUMPS COMPANY PARTS BREAKDOWN



DETAIL NO.	PART NAME
27A	KEY - COUPLING
27	KEY - COUPLING
21B	GASKET
21A	GASKET
21	GASKET
19B	PIPE PLUG
19A	PIPE PLUG
19	PIPE PLUG
17C	CAP SCREW
17	CAP SCREW
14A	BALL BEARING WITH MECHANISEAL & DUST SEAL
14	BALL BEARING
13	GLAND - SPLIT
12	PACKING RING
11	SEAL RING
10	THROAT BUSHING
9	IMPELLER SCREW
8	SHAFT SLEEVE
7	WEARING RING - REAR
6	WEARING RING - SUCTION
4	PEDESTAL
3	IMPELLER
2	COVER
1	CASING

NOTE: Please be sure to always include pump type, size, and serial number with any reference to above numbers and names.