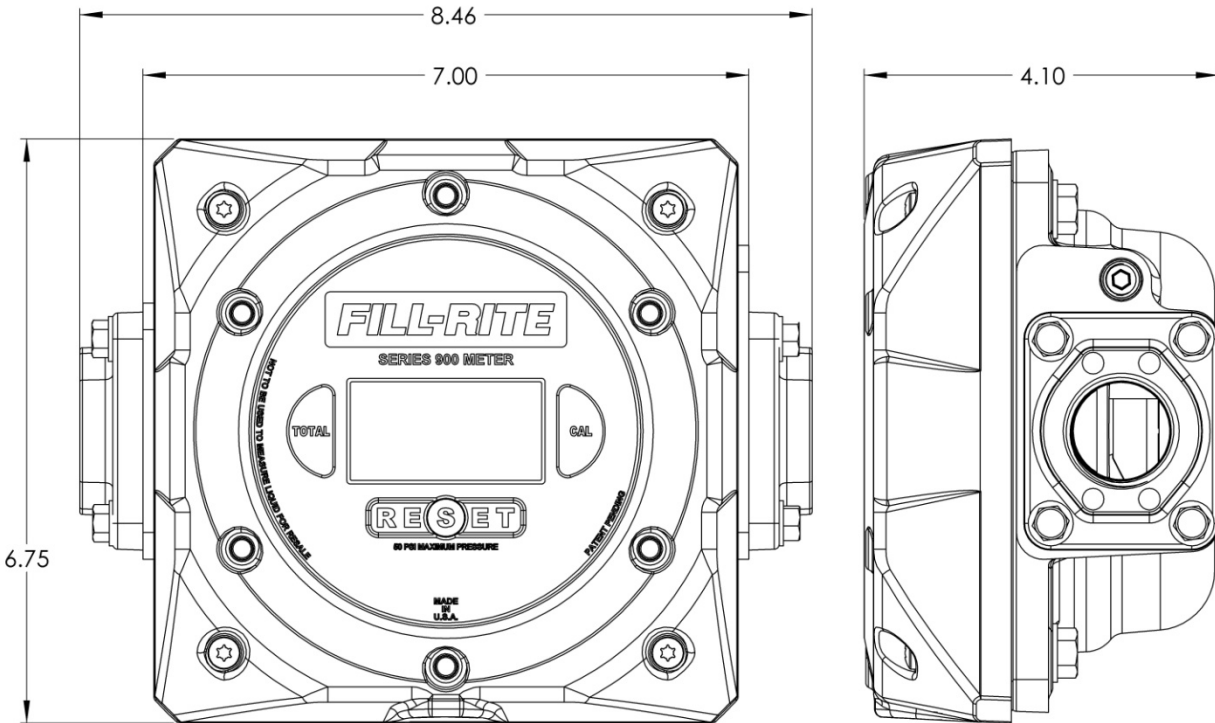


FILL-RITE®

The Most Trusted Name in Pumps and Meters

900D S & E Data Sheet



Technical Information / Specifications

Accuracy: $\pm 1.25\%^*$ **Flow Rate:** 6 to 40 GPM (23 to 151 LPM) **Repeatability:** $\pm 0.25\%$

Pressure Rating: 50 psi

Calibrations Settings: Ounces, Pints, Quarts, Liters, Gallons, and one Special Unit of Measure option.

Resettable Counter: 4 digit resettable counter.

Master Totalizer: 7 Digit non-resettable totalizer, 7 digit resettable totalizer

Construction: Housing: Aluminum **Measurement System:** Nutating Disc **Seals:** Buna

Certifications: UL 25 (US & Canada) on mechanical drive mechanism / UL 913 Pending

Fluid Compatibility

The 900D series meter **IS compatible** with the following fluids:

Diesel Fuel Kerosene Mineral Spirits Heptane Hexane

The 900D series meter **IS NOT compatible** with the following fluids:

Bleach Hydrochloric Acid Ink Sulfuric Acid Salt Water Gasoline



Tuthill Transfer Systems
Fort Wayne, Indiana
(800) 634-2695
www.tuthill.com

Features and Benefits

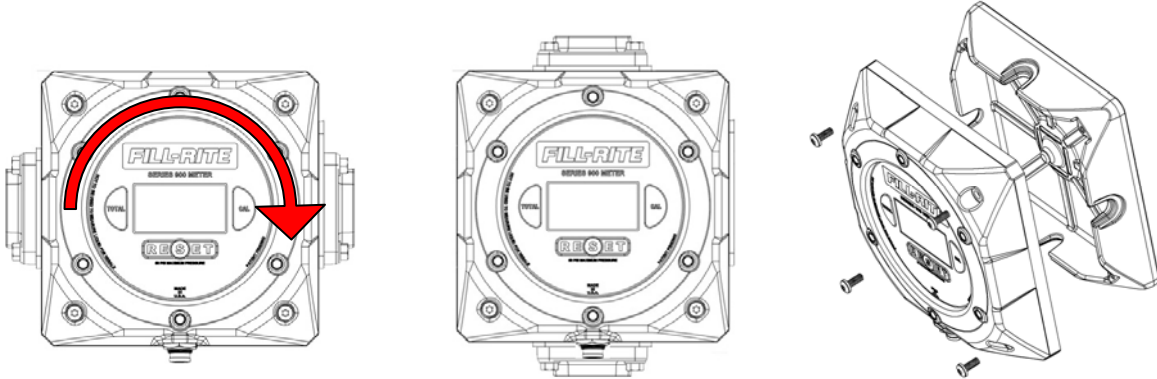
Large, highly visible, easy to read display.

Powered by 2 "AA" batteries (expected 4 – 6 years of service life in normal use).

"Membrane" keypad keeps moisture out and provides excellent continuous seal to the elements, even in the harshest environments.

Operating Temperature Range: -10 °- 180 ° F (-30 ° – 180 ° for diesel units with auxiliary power).

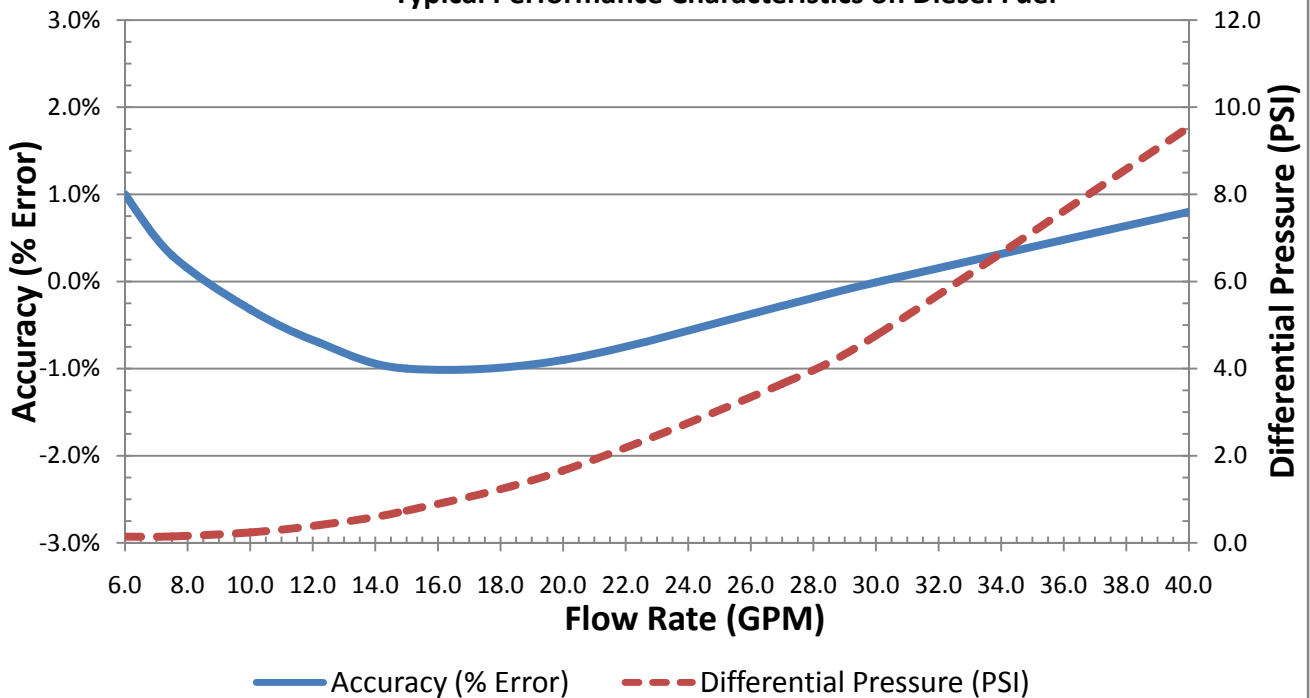
Rotatable housing allows horizontal or vertical mounting (remove 4 Torx screws and rotate display).



NPT threads standard; BSP threads available:
 NPT: 1" & 1.5"
 BSPT: 1" & 1.5"

900D / 900DP Performance Chart

Typical Performance Characteristics on Diesel Fuel



Changes in temperatures, fluid viscosity, and system accessories may shift the performance curves