

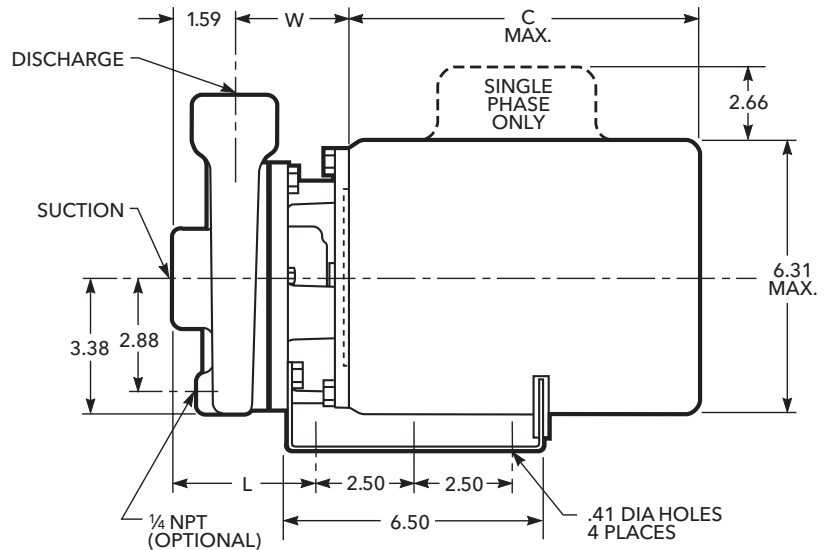
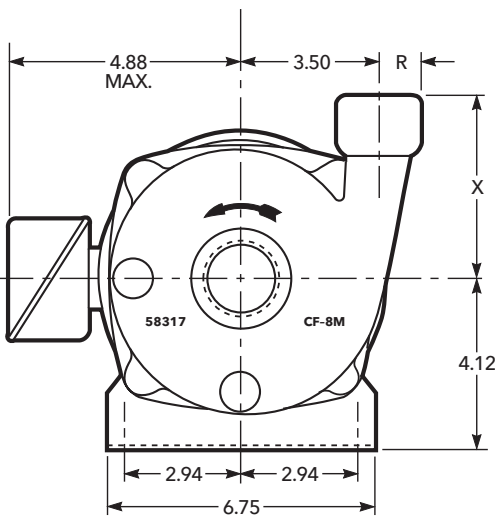
# ICS Dimension Print

STAINLESS STEEL, CLOSE-COUPLED CENTRIFUGAL PUMPS ½ - 2 HP



### ENGINEERING DATA

|  |                                    |   |
|--|------------------------------------|---|
| Clockwise Rotation Viewed from Drive End | Installation Drawing No.<br>119-64 | Certified for construction purposes<br><input type="checkbox"/> For Approval      For Record <input type="checkbox"/> |
|  |                                    | By<br><i>Signature</i> <i>Date</i>  |



## WEIGHTS AND DIMENSIONS - DETERMINED BY PUMP

| Pump Size | Suction NPT | Discharge NPT | L    | R    | W    | X    | *Weight Max. |
|-----------|-------------|---------------|------|------|------|------|--------------|
| 1 x 1¼-5  | 1¼          | 1             | 3.75 | .94  | 3.01 | 4.62 | 17           |
| 1¼ x 1½-5 | 1½          | 1¼            | 3.62 | 1.06 | 2.88 | 4.56 | 17           |

### NOTES:

1. Pumps will be shipped with top vertical discharge as standard, for other orientations, remove casing bolts, rotate to desired position, and tighten ¾" bolts to 24 lbs.-ft.
2. Dimensions in inches, weight in pounds.
3. Not to be used for construction purposes unless certified.
4. Motor dimensions may vary with motor manufacturers.

**\* Weight is liquid end only. For complete pump, add weight of applicable motor.**

## AVAILABLE MOTOR WEIGHTS

| HP | Motor Weight |      |     |         |      |     | C Max. Length                   |
|----|--------------|------|-----|---------|------|-----|---------------------------------|
|    | 1 Phase      |      |     | 3 Phase |      |     |                                 |
|    | ODP          | TEFC | EXP | ODP     | TEFC | EXP |                                 |
| ½  | 16           | 21   | 47  | 19      | 18   | 27  | 9 <sup>15</sup> / <sub>16</sub> |
| ¾  | 19           | 24   | 41  | 21      | 21   | 30  | 10¼                             |
| 1  | 22           | 26   | 49  | 23      | 21   | 30  | 11                              |
| 1½ | 28           | 35   | 56  | 27      | 27   | 37  | 11 <sup>5</sup> / <sub>16</sub> |
| 2  | 33           | 39   | 60  | 32      | 33   | 44  | 12 <sup>1</sup> / <sub>16</sub> |

1750 RPM uses only ½ HP and ¾ HP motors.

3500 RPM uses ½ through 3 HP

### Xylem Inc.

2881 East Bayard Street Ext., Suite A, Seneca Falls, NY 13148

Phone: (800) 453-6777 Fax: (888) 322-5877

[www.gouldswatertechnology.com](http://www.gouldswatertechnology.com)

