



**NOW NSF LISTED!!**

*Still Built  
in the USA...*



DRINKING WATER  
NSF/ANSI 61 & 372

# JSZ+ J5SZ and J10SZ

SHALLOW WELL JET PUMPS - ½ AND 1 HP (50 HZ)



## 50 Hz Residential Water Systems

### FEATURES

**Compact:** Design has an integral shallow well adapter built into the casing, which eliminates the need for a separate shallow well adapter.

**Serviceable:**

- Back pullout design allows disassembly of pump for service without disturbing piping.
- Two compartment motor for easy access to motor wiring and replaceable components.
- Nozzle clean out plug in pump case.
- Corrosion resistant, engineered plastic tubing and fittings are easily removed for cleaning. Premium O-ring design fittings need only be hand tight to seal.

**Impeller:** F.D.A. compliant, glass filled engineered composite. Corrosion and abrasion resistant.

**Diffuser (Guidevane):** Bolt down diffuser provides positive alignment with impeller. Diffuser also has stainless wear ring for extended performance in abrasive conditions. F.D.A. compliant, injection molded, food grade, glass filled engineered composite for durability and abrasion resistance.

**Tubing and Fittings:** F.D.A. compliant engineered plastic is corrosion and U.V. resistant.

**Powered for Continuous Operation:** Pump ratings are within the motor manufacturer's recommended working limits. Can be operated continuously without damage.

**Corrosion Resistant:** Electro-coated paint process is applied inside and out, then baked on.

**Protected Mechanical Seal:** Special diaphragm design retains water in the casing at all times to ensure the mechanical seal can never run dry.

**Excellent Air Handling Ability:** After initial priming the pump has the ability to re-prime itself even when air gets into the system. Pumping resumes once the water level rises above the foot valve.

**NSF Listed:** The first NSF listed jet pumps in the industry. All jet pumps and shallow well components only, deep well components are not listed.

### APPLICATIONS

Specifically designed for the following uses:

- Homes
- Cottages
- Booster service

### SPECIFICATIONS

**Pump:**

- Pipe connections: 1¼" NPT suction and 1" NPT discharge
- Pressure switch: AS4SDB preset (30-50 PSI).

**Motor:**

- NEMA standard
- 50 Hz
- ½ - 1 HP, 115/230 V capacitor start
- Single phase
- 2850 RPM
- Built-in overload with automatic reset
- Stainless steel shaft
- Rotation: clockwise when viewed from motor end
- UL778 listed

**Maximum temperature:** 140°F.

### SYSTEM COMPONENTS

- **Basic Pump Unit:** Includes pump with integral shallow well jet (nozzle and venturi), motor, pressure switch and tubing.

### AGENCY LISTINGS



Canadian Standards Association



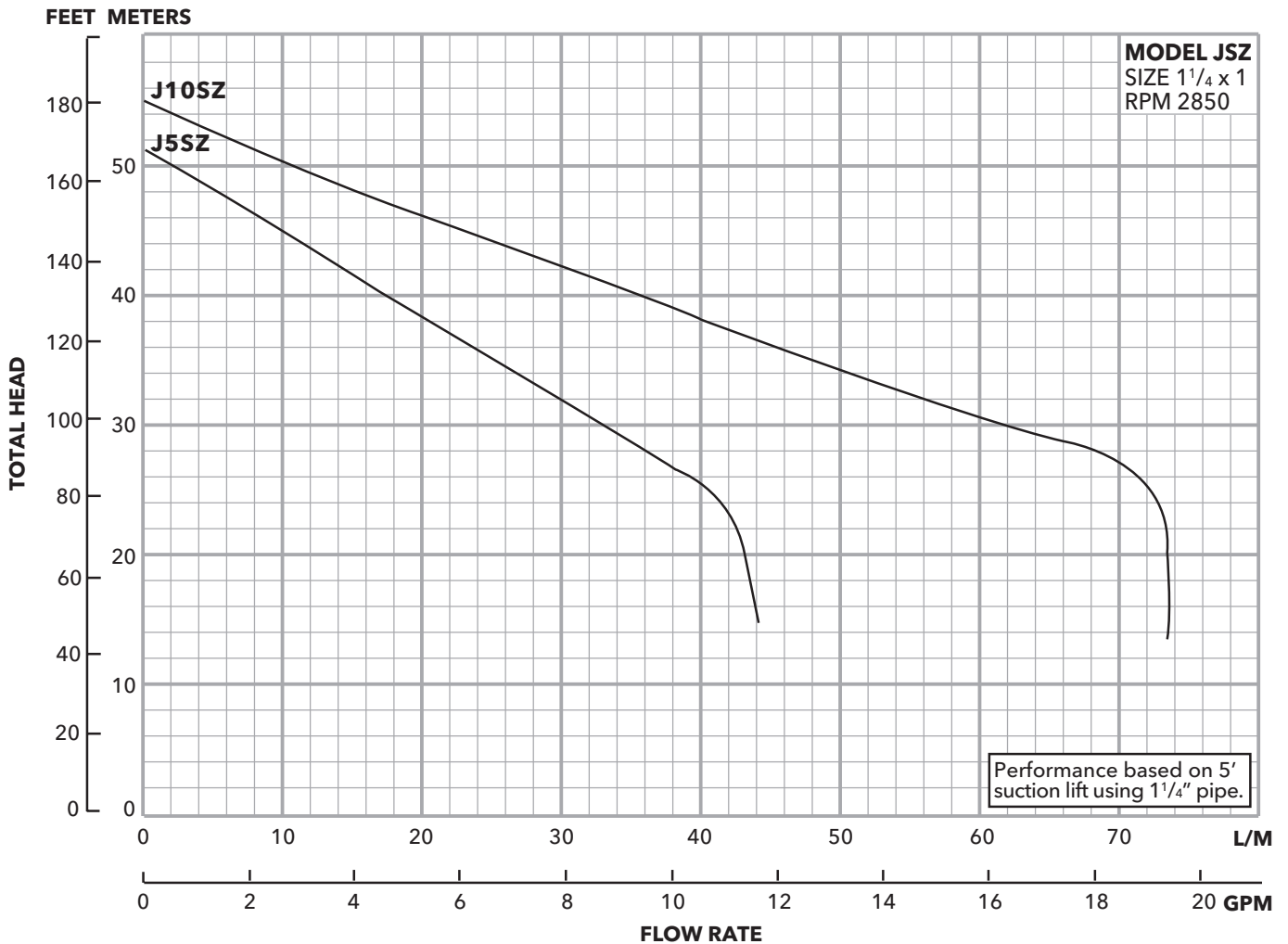
Underwriters Laboratories

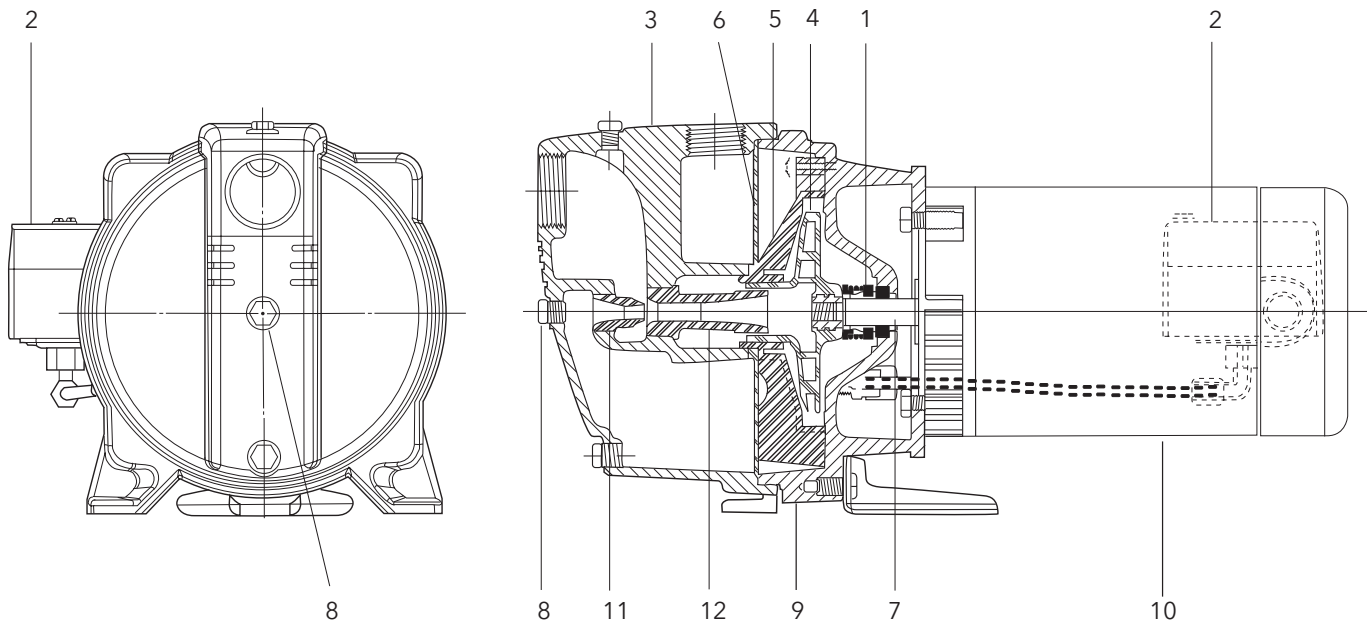


DRINKING WATER  
NSF/ANSI 61 & 372

### PERFORMANCE RATINGS

Model	J5SZ					J10SZ				
Nozzle	AN019					AN022				
Venturi	AD3328					AD3336				
Total	Discharge Pressure (PSI)					Discharge Pressure (PSI)				
Suction	20	30	40	50	Max. Shut-Off (PSI)	20	30	40	50	Max. Shut-Off (PSI)
Lift (ft.)	Gallons Per Minute					Gallons Per Minute				
5	11.6	11.1	7.3	4.4	71	19.3	19.3	16.3	11.4	76
10	9.9	10.2	6.7	3.8	69	17.6	17.5	15.2	10.3	74
15	8.3	8.5	6.1	3.4	66	15.2	15.1	13.8	8.9	72
20	7.0	7.2	5.8	3.1	64	12.3	12.2	11.8	8.0	69
25	5.2	5.9	5.3	2.9	63	9.4	9.4	9.4	6.8	66





### COMPONENTS

Item No.	Description
1	Mechanical seal
2	Pressure switch
3	Casing
4	Impeller
5	Diffuser (Guidevane)
6	Diaphragm
7	Stainless steel shaft
8	Nozzle clean-out plug
9	Motor adapter
10	Motor
11	Nozzle
12	Venturi (diffuser)

### DIMENSIONS AND WEIGHTS

Model	J5SZ	J10SZ
<b>Wt. (lbs.)</b>	43	50
<b>Length</b>	17 $\frac{7}{8}$	19 $\frac{5}{16}$
<b>Width</b>	9 $\frac{7}{8}$	
<b>Height</b>	8 $\frac{3}{4}$	
<b>HP</b>	$\frac{1}{2}$	1



Xylem Inc.  
 2881 East Bayard Street Ext., Suite A  
 Seneca Falls, NY 13148  
 Phone: (866) 325-4210  
 Fax: (888) 322-5877  
[www.xylem.com/goulds](http://www.xylem.com/goulds)

Goulds is a registered trademark of Goulds Pumps, Inc. and is used under license.  
 © 2020 Xylem Inc. BJSZ+ R3 May 2020