

Model Prime Line SP

INSTALLATION, OPERATION AND MAINTENANCE INSTRUCTIONS



Owner's Information

Please fill in data from your pump nameplate.
Warranty information is on page 8.

Model Number: _____

Serial Number: _____

Dealer: _____

Dealer Telephone: _____

Purchase Date: _____

Installation Date: _____

Table of Contents

SUBJECT	PAGE
Safety Instructions.....	2
Description and Specifications	2
Engineering Data.....	2
Piping	
Suction.....	2
Discharge.....	3
Wiring and Grounding.....	3
Operation.....	3
Rotation.....	3
Maintenance.....	3
Disassembly.....	4
Reassembly.....	4
Repair Parts.....	5
Troubleshooting.....	5
Limited Warranty.....	8
Declaration of Conformity	23

SAFETY INSTRUCTIONS

TO AVOID SERIOUS OR FATAL PERSONAL INJURY OR MAJOR PROPERTY DAMAGE, READ AND FOLLOW ALL SAFETY INSTRUCTIONS IN MANUAL AND ON PUMP.



This is a **SAFETY ALERT SYMBOL**. When you see this symbol on the pump or in the manual, look for one of the following signal words and be alert to the potential for personal injury or property damage.



DANGER Warns of hazards that **WILL** cause serious personal injury, death or major property damage.



WARNING Warns of hazards that **CAN** cause serious personal injury, death or major property damage.



CAUTION Warns of hazards that **CAN** cause personal injury or property damage.

NOTICE: INDICATES SPECIAL INSTRUCTIONS WHICH ARE VERY IMPORTANT AND MUST BE FOLLOWED.

THIS MANUAL IS INTENDED TO ASSIST IN THE INSTALLATION AND OPERATION OF THIS UNIT AND MUST BE KEPT WITH THE PUMP.

MAINTAIN ALL SAFETY DECALS.



UNIT NOT DESIGNED FOR USE WITH HAZARDOUS LIQUIDS OR FLAMMABLE GASES.



Hazardous fluids can cause fire, burns or death.

NOTICE: INSPECT UNIT FOR DAMAGE AND REPORT ALL DAMAGE TO THE CARRIER OR DEALER IMMEDIATELY. DO NOT USE PUMP IF DAMAGE IS SUSPECTED.



This product can expose you to chemicals including Lead, which is known to the State of California to cause cancer or birth defects or other reproductive harm. For more information go to: www.P65Warnings.ca.gov.

DESCRIPTION AND SPECIFICATIONS

- The SPM/SPH Series embraces a line of end suction single stage, self-priming centrifugal pumps for lawn sprinkling, HVAC systems, and general water transfer.
- Casing is cast iron construction with tapped openings provided for vacuum gauge and casing drain.
- Impeller is bronze, enclosed design, balanced for smooth operation and keyed to motor shaft.
- ALL motors are NEMA standard, 3500 RPM, open drip proof or TEFC enclosure.



THE INSTALLATION OF THE PUMP SHALL INCLUDE ADEQUATE DRAINAGE OR LOCATED SUCH THAT OTHER EQUIPMENT OR PROPERTY WOULD NOT BE DAMAGED IN THE EVENT OF ANY LEAKAGE. THE PUMP SHOULD NOT BE INSTALLED ABOVE EQUIPMENT OR PROPERTY UNLESS ADEQUATE DRAINAGE IS PROVIDED. FAILURE TO COMPLY WITH THIS WARNING COULD RESULT IN PROPERTY DAMAGE.



OVERTIGHTENING OF THE CASING FASTENERS COULD DAMAGE THE FASTENER, RESULTING IN LEAKAGE AND PROPERTY DAMAGE.

ENGINEERING DATA

- Maximum Liquid Temperature: 160° F (71° C)
- Starts per hour: 20 - evenly distributed.

PIPING

- Pump **MUST** be installed horizontally on a solid flat surface, with discharge on top.
- Allow adequate space for servicing and ventilation. Protect the unit from weather and water damage due to rain or flooding or freezing temperatures.
- Piping should be no smaller than the suction and discharge connections and kept as short as possible, avoiding unnecessary fittings to minimize friction losses.
- All piping **MUST** be independently supported and **MUST NOT** place any piping loads on the pump.

NOTICE: DO NOT FORCE PIPING INTO PLACE AT PUMP SUCTION AND DISCHARGE CONNECTIONS.

- The use of Teflon™ tape, or equivalent, is recommended for **ALL** pipe joints.
- All pipe joints **MUST** be airtight.

PIPING - SUCTION

- Total suction lift, including elevation and pipe friction loss, should not exceed 25 feet.
- Install an airtight union in the suction line close to the pump. See Figure 1.

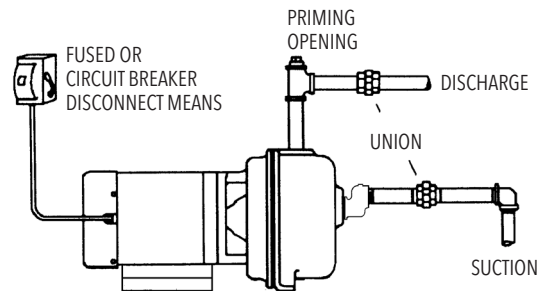


Figure 1

- Installation of a foot valve at the liquid source, or a check valve after the pump discharge, is recommended.

NOTICE: FOR INSTALLATIONS WITH LONG SUCTION PIPING, BOTH A FOOT VALVE AND A CHECK VALVE ARE RECOMMENDED.

- To avoid air pockets, no part of the piping should be above the pump suction connection and piping should slope upward from liquid source.

- For installations with long suction piping, fill the suction pipe with water before connecting to pump.
- To ensure proper level installation of the pump utilize included shims (13K248-0.75" or 13K346-1.75") under motor feet.

PIPING - DISCHARGE

- Install a tee at the discharge connection of the pump. The top opening of the tee is required for initial priming. See Figure 1.

WIRING AND GROUNDING



- ! Install, ground and wire according to local and National Electrical Code requirements.
- ! Install an all leg electrical power disconnect switch near the pump.
- ! Disconnect electrical power, before installing or servicing pump.

- ! Electrical supply **MUST** match pump's nameplate specifications. Incorrect voltage can cause fire, damage to the motor, and voids warranty.
- ! Motors without built-in protection **MUST** be provided with contactors and thermal overloads for single phase motors, or starters with heaters for three phase motors. See motor nameplate.

- Follow motor manufacturer's wiring diagram on the motor nameplate or terminal cover carefully.
- Use only copper wire to motor and ground. The ground wire **MUST** be at least as large as the wire to the motor. Wires should be color coded for ease of maintenance.



FAILURE TO PERMANENTLY GROUND THE PUMP, MOTOR AND CONTROLS BEFORE CONNECTING TO ELECTRICAL POWER CAN CAUSE SHOCK, BURNS, OR DEATH.

OPERATION



SPLASHING OR IMMERSING OPEN DRIP PROOF MOTORS IN WATER CAN CAUSE FIRE, SHOCK, BURNS OR DEATH.



OPERATION WITHOUT PRIME, OR AGAINST A CLOSED DISCHARGE VALVE, CAN GENERATE HOT WATER OR STEAM CAUSING INJURY OR PROPERTY DAMAGE OR EXPLOSION RESULTING IN SERIOUS PERSONAL INJURY, PROPERTY DAMAGE OR DEATH.

- Fill pump through opening in top of tee with clean water. See Figure 1.
- Install pipe plug in top using Teflon™ tape or equivalent on male threads.

NOTICE: IF PUMP IS DRAINED OR SHUT OFF DURING PRIMING PERIOD, ENSURE CASING IS REFILLED BEFORE RESTARTING PUMP.

- Start the pump motor and wait for system pressure to stabilize. If system pressure is surging, or prolonged pressure drop is experienced, the system may not be completely primed.

ROTATION

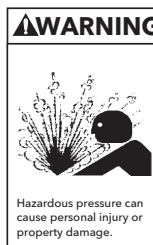
NOTICE: INCORRECT ROTATION MAY CAUSE DAMAGE TO THE PUMP AND VOIDS THE WARRANTY.

- Correct rotation is right hand, **CLOCKWISE** when viewed from the motor end.
- Single phase motors with more than 4 wires (leads) may be reversible designs. Insure that the motor is rotating in the correct direction. See motor nameplate for wiring instructions.
- Three phase unit rotation may be checked by removing motor end cap or plug and observing rotation of motor shaft. To reverse rotation, reverse any two of the three motor leads.

MAINTENANCE



FAILURE TO DISCONNECT AND LOCK-OUT ELECTRICAL POWER BEFORE ATTEMPTING ANY MAINTENANCE CAN CAUSE SEVERE PERSONAL INJURY.



FAILURE TO RELIEVE SYSTEM PRESSURE AND DRAIN SYSTEM BEFORE ATTEMPTING ANY MAINTENANCE CAN CAUSE SERIOUS PERSONAL INJURY OR PROPERTY DAMAGE.

- No lubrication is required on pump. For motor lubrication, refer to and follow manufacturer's instructions.

Seasonal Service

- To **REMOVE** pump from service, remove all drain plugs and drain all piping.
- To **RETURN** pump to service, replace all drain plugs using Teflon™ tape or equivalent.
- Reconnect suction line if removed, examine union and repair if necessary.
- Reprime and operate pump following all instructions and warnings in the **"OPERATION"** section of manual.

DISASSEMBLY

- Follow ALL warnings and instructions in the “**MAINTENANCE**” section of this manual.
1. Remove motor hold down bolts.
 2. Remove suction flange bolts (16).
 3. Remove suction flange (17).
 4. Remove check valve assembly (15).
 5. Remove casing bolts (12).
 6. Remove back pull-out assembly from casing (1).
 7. Remove diffuser (4) and diffuser seal ring (3). Discard ring.
 8. Insert a screwdriver into one of the impeller waterways to restrain motor shaft from rotation and remove impeller bolt (6). Discard.
 9. Remove impeller washer (7), impeller (8) and impeller key (14). If the impeller is difficult to remove, insert two pry bars between impeller and adapter, 180° apart and CAREFULLY pry off impeller.
 10. Remove motor adapter bolts (12) and adapter from motor pulling with it the mechanical seal (9).
 11. Push stationary seat of mechanical seal out of the motor adapter and discard.
 12. Inspect shaft sleeve (13). If damaged or badly scored, remove by heating with a torch. Discard.

NOTICE: EXERCISE CARE IN HANDLING HOT SHAFT SLEEVE.

REASSEMBLY

- All parts should be cleaned before reassembly.
 - Refer to parts list for description of replacement items. Specify pump order number when ordering parts.
1. Inspect shaft, removing any debris or burrs.
 2. When replacing shaft sleeve, apply new shaft sleeve's bore with LOCQUIC® Primer N, or equivalent. Let parts dry and then apply LOCTITE® #262 on the same surfaces. Slide new sleeve over shaft with a twisting motion, wipe off excess. Let cure according to instructions.
- NOTICE: MECHANICAL SEAL MUST BE REPLACED WHENEVER SEAL HAS BEEN REMOVED. FOLLOW SEAL MANUFACTURER'S INSTRUCTIONS CAREFULLY.**
3. If necessary, seat ring may be lubricated with water or glycerin to aid in installation. **DO NOT** contaminate the seal face. Fully and squarely install the stationary seat into the adapter. With a clean cloth, **CAREFULLY** wipe the seat face clean of debris. **DO NOT** damage the seal seat face.

4. Reinstall the motor adapter on the motor, making sure that the motor shaft does not dislocate or damage the stationary seal seat.
5. Fully and squarely install the seal rotary assembly against the stationary seat. Be sure rotating seal face does not drop out of the holding collar and **DO NOT** damage seal face.
6. Install impeller key in shaft keyway. Mount impeller on shaft and push until it bottoms.
7. Install new impeller washer.
8. Insert a screwdriver in a waterway passage of the impeller holding it against rotation and install the new impeller bolt. Torque to 20 lbs-ft (27 N•M).
9. Remove any burrs caused by screwdriver on the impeller waterway passages.
10. Remove and replace the “o” ring (10) on the motor adapter. Lubricate lightly with Parker “O” ring lube or equivalent.
11. Locate the diffuser on the motor adapter with the stop piece in the 12 o'clock position.
12. Locate the diffuser seal ring on the machined nose of the diffuser and make sure it's pushed firmly into place.
13. Install motor and rotating assembly into casing, check the position of the seal ring, tighten casing bolts alternately and evenly. Torque to 37 lbs-ft (50 N•M).
14. Check impeller for binding by rotating the motor shaft. If binding occurs, loosen bolts, readjust diffuser until impeller hub turns freely. Tighten bolts again.
15. Place suction flange bolts through holes and locate check valve assembly (replace if damaged) over bolts. Carefully bolt suction flange on casing making sure check valve assembly is positioned so that the rubber face is against the angled face of the suction flange.
16. Replace motor foot bolts.
17. Check for free rotation after assembly is complete.
18. Replace all drain plugs, using teflon tape on male threads.
19. Prime according to instructions in the “OPERATION” section of the manual.

COMPONENTS

Location	Description	Material	Qty.	
1	Case 1½" NPT	Cast Iron	1	
	Case 2" NPT			
	Case 2½" NPT			
2	Pipe Plug ¼" NPT	Suction Flange	Zinc Plated	1
		Case	Steel	2
3	Diffuser Seal Ring	BUNA	1	
4	Diffuser - High Head	Cast Iron	1	
	Diffuser - Medium Head			
5	Casing Wear Ring	Bronze*	1	
6	Impeller Screw	AISI 300 SS	1	
7	Impeller Washer		1	
8	Impeller - High Head	5 HP	Sil-Brass*	1
		3 HP		
	Impeller - Medium Head	5 HP		
		3 HP		
9	Mechanical Seal	**	1	
10	O-Ring	BUNA-N	1	
11	Motor Adapter - 140/180 FR	Cast Iron	1	
12	Hex Head Cap Screw .38 - 16 UNC .88 Lg	Case	Zinc Plated	8
		Motor	Steel	4
13	Shaft Sleeve	AISI 300 SS	1	
14	Key - Square End			
15	Check Valve Assembly	BUNA-SS	1	
16	Hex Head Cap Screw .31 - 18 UNC .75 Lg	Zinc Plated Steel	4	
17	Suction Flange	1" NPT	Cast Iron	1
		2½" NPT		
		3" NPT		

* Lead Free

** Consult Factory

TROUBLESHOOTING



FAILURE TO DISCONNECT ELECTRICAL POWER BEFORE ATTEMPTING ANY MAINTENANCE CAN CAUSE SHOCK, BURNS OR DEATH.

SYMPTOM

Motor Not Running:

See Probable Causes 1 through 5.

Little or No Water Delivered:

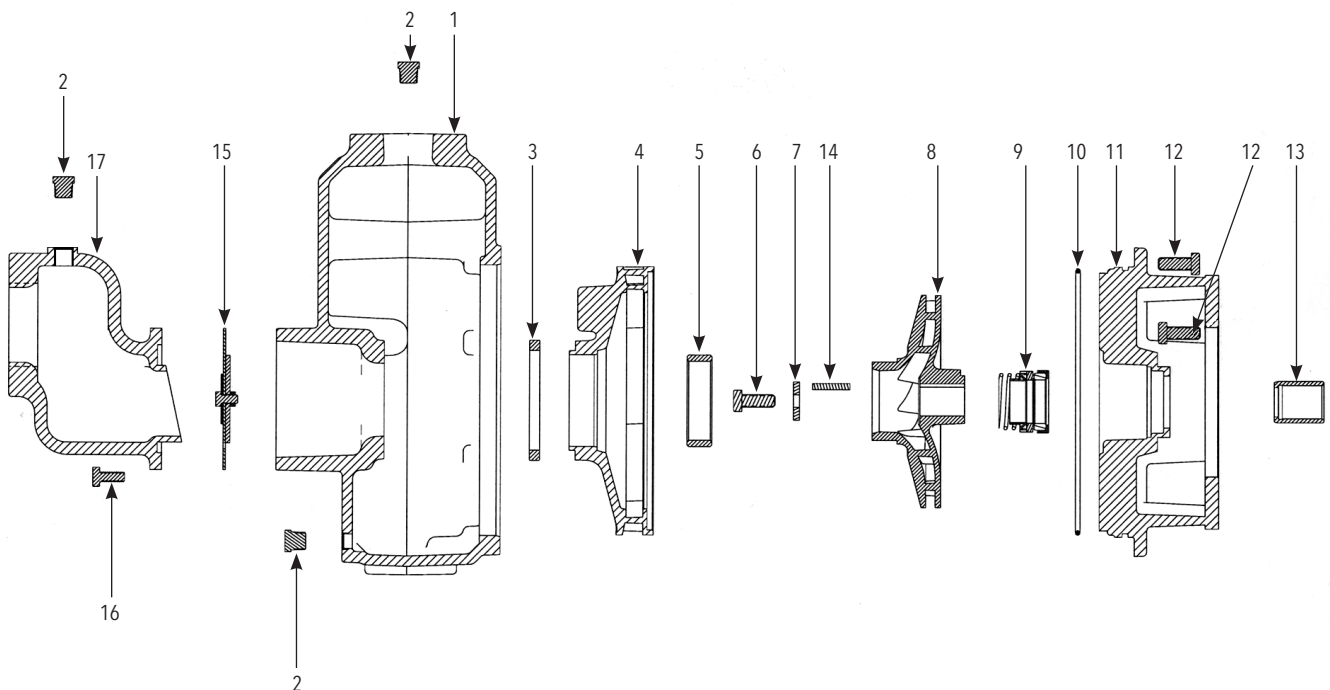
See Probable Causes 3, 4, 6 through 12, 15, 16.

Excessive Noise and Vibration:

See Probable Causes 3, 6, 7, 10, 12, 13, 14.

PROBABLE CAUSES

1. Motor thermal protector tripped.
2. Open circuit breaker or blown fuse.
3. Impeller binding.
4. Motor improperly wired.
5. Defective motor.
6. Pump is not primed, air or gases in pumpage.
7. Discharge, suction plugged or valve closed.
8. Incorrect rotation.
9. Low voltage or phase loss.
10. Impeller worn or plugged.
11. System head too high.
12. NPSHA too low - excessive suction lift or loss.
13. Discharge head too low - excessive flow rates.
14. Pump, motor or piping loose.
15. End of suction piping not submerged.
16. Check valve damaged.



NOTES

COMMERCIAL WARRANTY

For goods sold to commercial buyers, Seller warrants the goods sold to Buyer hereunder (with the exception of membranes, seals, gaskets, elastomer materials, coatings and other “wear parts” or consumables all of which are not warranted except as otherwise provided in the quotation or sales form) will be (i) be built in accordance with the specifications referred to in the quotation or sales form, if such specifications are expressly made a part of this Agreement, and (ii) free from defects in material and workmanship for a period of one (1) year from the date of installation or eighteen (18) months from the date of shipment (which date of shipment shall not be greater than thirty (30) days after receipt of notice that the goods are ready to ship), whichever shall occur first, unless a longer period is specified in the product documentation (the “Warranty”).

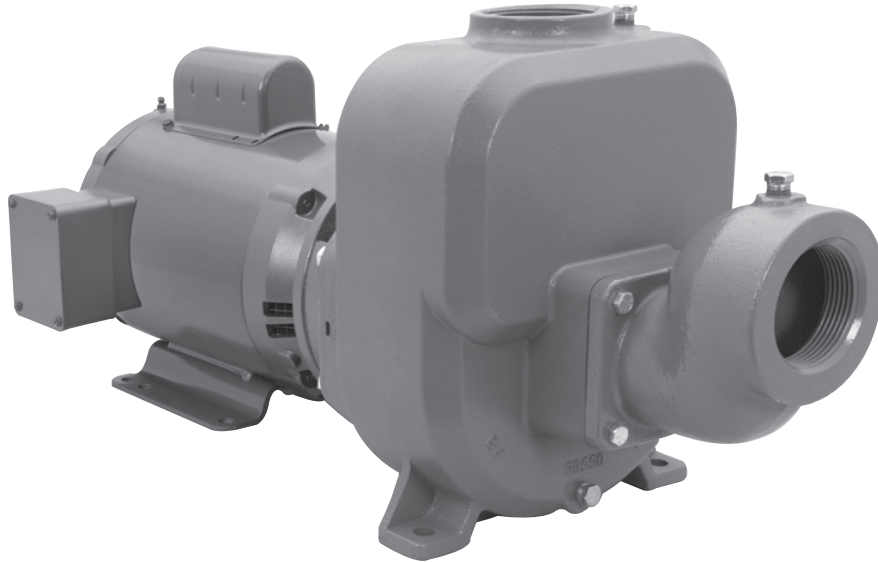
Except as otherwise required by law, Seller shall, at its option and at no cost to Buyer, either repair or replace any product which fails to conform with the Warranty provided Buyer gives written notice to Seller of any defects in material or workmanship within ten (10) days of the date when any defects or non-conformance are first manifest. Under either repair or replacement option, Seller shall not be obligated to remove or pay for the removal of the defective product or install or pay for the installation of the replaced or repaired product and Buyer shall be responsible for all other costs, including, but not limited to, service costs, shipping fees and expenses. Seller shall have sole discretion as to the method or means of repair or replacement. Buyer’s failure to comply with Seller’s repair or replacement directions shall terminate Seller’s obligations under this Warranty and render the Warranty void. Any parts repaired or replaced under the Warranty are warranted only for the balance of the warranty period on the parts that were repaired or replaced. Seller shall have no warranty obligations to Buyer with respect to any product or parts of a product that have been: (a) repaired by third parties other than Seller or without Seller’s written approval; (b) subject to misuse, misapplication, neglect, alteration, accident, or physical damage; (c) used in a manner contrary to Seller’s instructions for installation, operation and maintenance; (d) damaged from ordinary wear and tear, corrosion, or chemical attack; (e) damaged due to abnormal conditions, vibration, failure to properly prime, or operation without flow; (f) damaged due to a defective power supply or improper electrical protection; or (g) damaged resulting from the use of accessory equipment not sold or approved by Seller. In any case of products not manufactured by Seller, there is no warranty from Seller; however, Seller will extend to Buyer any warranty received from Seller’s supplier of such products.

THE FOREGOING WARRANTY IS EXCLUSIVE AND IN LIEU OF ANY AND ALL OTHER EXPRESS OR IMPLIED WARRANTIES, GUARANTEES, CONDITIONS OR TERMS OF WHATEVER NATURE RELATING TO THE GOODS PROVIDED HEREUNDER, INCLUDING WITHOUT LIMITATION ANY IMPLIED WARRANTIES OF MERCHANTABILITY AND FITNESS FOR A PARTICULAR PURPOSE, WHICH ARE HEREBY EXPRESSLY DISCLAIMED AND EXCLUDED. EXCEPT AS OTHERWISE REQUIRED BY LAW, BUYER’S EXCLUSIVE REMEDY AND SELLER’S AGGREGATE LIABILITY FOR BREACH OF ANY OF THE FOREGOING WARRANTIES ARE LIMITED TO REPAIRING OR REPLACING THE PRODUCT AND SHALL IN ALL CASES BE LIMITED TO THE AMOUNT PAID BY THE BUYER FOR THE DEFECTIVE PRODUCT. IN NO EVENT SHALL SELLER BE LIABLE FOR ANY OTHER FORM OF DAMAGES, WHETHER DIRECT, INDIRECT, LIQUIDATED, INCIDENTAL, CONSEQUENTIAL, PUNITIVE, EXEMPLARY OR SPECIAL DAMAGES, INCLUDING BUT NOT LIMITED TO LOSS OF PROFIT, LOSS OF ANTICIPATED SAVINGS OR REVENUE, LOSS OF INCOME, LOSS OF BUSINESS, LOSS OF PRODUCTION, LOSS OF OPPORTUNITY OR LOSS OF REPUTATION.



Xylem Inc.
2881 East Bayard Street Ext., Suite A,
Seneca Falls, NY 13148
Phone: (800) 453-6777 Fax: (888) 322-5877
www.xylem.com/goulds

Xylem is a trademark of Xylem Inc.
Goulds is a registered trademark of Goulds Pumps, Inc. and is used under license.
© 2022 Xylem Inc. IM081 Revision Number 6 May 2022



Modelo Prime Line SP

INSTRUCCIONES DE INSTALACIÓN, FUNCIONAMIENTO Y MANTENIMIENTO



INFORMACIÓN DEL PROPIETARIO

Por favor complete los datos consultando la placa del fabricante de la bomba. La información de la garantía está en la página 16.

Número del modelo: _____

Número de serie: _____

Agente: _____

Teléfono del agente: _____

Fecha de compra: _____

Fecha de instalación: _____

ÍNDICE

ASUNTO	PÁGINA
Instrucciones de seguridad	10
Descripción y especificaciones.....	10
Datos técnicos.....	10
Tubería	
Succión.....	10
Descarga	11
Cableado y conexión a tierra	11
Operación.....	11
Rotación	11
Mantenimiento	11
Desmontaje	12
Reensamblaje.....	12
Piezas de reparación	13
Investigación de averías.....	13
Garantía limitada.....	16
Declaración de Conformidad.....	23

INSTRUCCIONES DE SEGURIDAD

ES INTENCIÓN QUE ESTE MANUAL ASISTA EN LA INSTALACIÓN DE ESTA UNIDAD Y DEBE MANTENERSE CON LA BOMBA.



Este es un **SÍMBOLO DE ALERTA DE SEGURIDAD**. Cuando vea este símbolo en la bomba o en el manual, busque una de las palabras de señal y esté alerta a las lesiones corporales potenciales o daños a la propiedad.



PELIGRO Advierte los peligros que **CAUSARÁN** lesiones corporales serias, la muerte o daños mayores a la propiedad.



ADVERTENCIA Advierte los peligros que **PUEDEN** causar lesiones corporales serias, la muerte o daños mayores a la propiedad.



PRECAUCIÓN Advierte los peligros que **PUEDEN** causar lesiones corporales o daños a la propiedad.

ES INTENCIÓN QUE ESTE MANUAL ASISTA EN LA INSTALACIÓN Y OPERACIÓN DE ESTA UNIDAD Y DEBE MANTENERSE CON LA BOMBA.

MANTENGA TODAS LAS CALCOMÍAS DE SEGURIDAD.

AVISO: INSPECCIONE LA UNIDAD SI TIENE DAÑOS Y REPORTE INMEDIAMENTE CUALQUIER DAÑO AL TRANSPORTISTA O AL AGENTE. NO USE LA BOMBA SI SE SOSPECHA QUE ESTÁ DAÑADA.



UNIDADES NO DISEÑADAS PARA USO CON LÍQUIDOS PELIGROSOS O GASES INFLAMMABLES.



Los fluidos peligrosos pueden causar incendios, quemaduras o la muerte.

AVISO: INDICA INSTRUCCIONES ESPECIALES QUE SON MUY IMPORTANTES Y DEBEN SEGUIRSE.



Este puede exponerlo a químicos, incluido el plomo, reconocidos por el estado de California por provocar cáncer y defectos del nacimiento u otros daños reproductivos. Para obtener más información, acceda a: www.P65Warnings.ca.gov.

DESCRIPCIÓN Y ESPECIFICACIONES

- La serie SPM/SPH abarca una línea de bombas centrífugas de aspiración axial, de una etapa, autocebadas para la aspersion de patios, sistemas de calefacción, ventilación y aire acondicionado, y transferencia de agua en general.
- La carcasa es de construcción de hierro fundido con aberturas roscadas proporcionadas para el manómetro de vacío y el drenaje de la carcasa.
- Impulsor de bronce, de diseño cerrado, equilibrado para un funcionamiento suave y enchavetado al eje del motor.
- Todos los motores son de Norma NEMA, de 3500 rpm, con cubierta abierta a prueba de goteo o con cubierta totalmente cerrada enfriada con ventilador.



LA INSTALACIÓN DE LA BOMBA DEBE INCLUIR UN DRENAJE ADECUADO O ESTAR UBICADA DE MANERA TAL QUE OTROS EQUIPOS O LA PROPIEDAD NO RESULTEN DAÑADOS EN CASO DE QUE SE PRODUZCA ALGUNA FUGA. LA BOMBA NO DEBE INSTALARSE POR ENCIMA DE LOS EQUIPOS O DE LA PROPIEDAD A MENOS QUE SE PROPORCIONE UN DRENAJE ADECUADO. SI IGNORA ESTA ADVERTENCIA, PUEDE PROVOCAR DAÑOS A LA PROPIEDAD.



SI AJUSTA DEMASIADO LOS SUJETADORES DE LA CARCASA, PODRÍA DAÑAR EL SUJETADOR Y PROVOCAR FUGAS Y DAÑOS A LA PROPIEDAD.

DATOS TÉCNICOS

- Máxima temperatura del líquido: 160° F (71° C)
- Arranques por hora: 20, distribuidos uniformemente.

TUBERÍA

- La bomba **DEBE** estar instalada horizontalmente sobre una superficie plana y sólida, con la descarga por arriba.
- Deje suficiente espacio superior para poder dar servicio y ventilación. Proteja la unidad de la intemperie y del daño de agua debido a la lluvia, inundaciones o temperaturas de congelación.
- La tubería no debe ser más pequeña que las conexiones de la succión y descarga y se deben mantener tan cortas como sea posible, evitando accesorios innecesarios para minimizar las pérdidas de fricción.
- Toda la tubería **DEBE** estar soportada independientemente y **NO DEBE** agregar ninguna carga de la tubería a la bomba.

AVISO: NO FUERCE LA TUBERÍA AL HACER LAS CONEXIONES DE SUCCIÓN Y DESCARGA CON LA BOMBA.

- El uso de la cinta de Teflon™, o equivalente se recomienda en **TODAS** las juntas de tubería.
- Todas las juntas de tubería **DEBEN** estar selladas para evitar entrada de aire.

TUBERÍA - SUCCIÓN

- La altura de aspiración total, incluyendo la elevación y las pérdidas de fricción de la tubería, no deben exceder 25 pies.
- Instale una unión estanca en la línea de succión, cerca de la bomba. Vea la Figura 1.

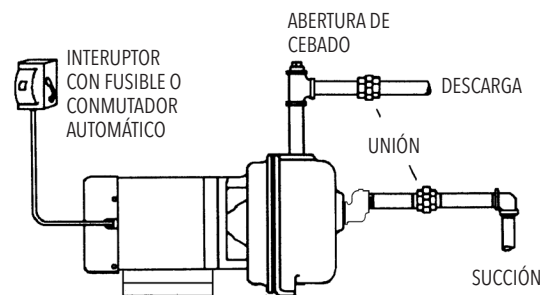


Figura 1

- Se recomienda la instalación de una válvula de pie en la fuente del líquido, o una válvula de retención después de la descarga de la bomba.

AVISO: PARA INSTALACIONES CON TUBERÍAS DE SUCCIÓN LARGAS, SE RECOMIENDA UNA VÁLVULA DE PIE Y UNA VÁLVULA DE RETENCIÓN.

- Para evitar las bolsas de aire, ninguna parte de la tubería debe estar arriba de la conexión de succión de la bomba y la tubería debe inclinarse hacia arriba, partiendo de la fuente del líquido.
- Para instalaciones con tuberías de succión largas, llene la tubería de succión con agua antes de conectar la bomba.
- Para garantizar la correcta instalación de la bomba utilizar incluyeron suplementos (13K248-0.75 pulgadas o 13K346-1.75 pulgadas) bajo los pies del motor.

TUBERÍA - DESCARGA

- Instale una T en la conexión de descarga de la bomba. La abertura superior de la T se requiere para el cebado inicial. Vea la Figura 1.

CABLEADO Y CONEXIÓN A TIERRA



- ⚠ Instale la conexión a tierra y el cableado de acuerdo con los requerimientos del código Nacional de Electricidad.
- ⚠ Instale un interruptor de alimentación en todos los alambres exteriores con corriente, cerca de la bomba.
- ⚠ Desconecte la alimentación eléctrica antes de instalar o dar servicio a la bomba.

- ⚠ La alimentación eléctrica **DEBE** estar de acuerdo con las especificaciones de la placa del fabricante. La tensión incorrecta puede causar incendio o dañar el motor y anular la garantía.
- ⚠ Los motores sin protección incorporada **DEBEN** estar provistos de contactores y sobrecargas térmicas para los motores monofásicos, o con arrancadores con calentadores para los trifásicos. Vea la placa del fabricante del motor.

- Siga cuidadosamente el diagrama de alambrado del fabricante del motor en la placa del fabricante del motor o en la tapa terminal.
- Use sólo cables de cobre al motor y a tierra. El alambre a tierra **DEBE** ser por lo menos tan grande como el alambre al motor. Los alambres deben ser de color codificado para facilitar el mantenimiento.



LA OMISIÓN DE CONECTAR A TIERRA PERMANENTEMENTE LA BOMBA, EL MOTOR Y LOS CONTROLES, ANTES DE CONECTAR A LA ALIMENTACIÓN ELÉCTRICA, PUEDE CAUSAR ELECTROCHOQUES, QUEMADURAS O LA MUERTE.

OPERACIÓN



SALPICAR O SUMERGIR LOS MOTORES DE CUBIERTA ABIERTA A PRUEBA DE GOTEO EN UN FLUIDO PUEDE CAUSAR INCENDIOS, ELECTROCHOQUES, QUEMADURAS O LA MUERTE.



TRABAJAR SIN CEBADOR, O CONTRA UNA VÁLVULA DE DESCARGA CERRADA, PUEDE GENERAR AGUA CALIENTE O VAPOR QUE PODRÍA CAUSAR LESIONES O DAÑOS A LA PROPIEDAD O UNA EXPLOSIÓN QUE PODRÍA CAUSAR LESIONES CORPORALES GRAVES, DAÑOS A LA PROPIEDAD O LA MUERTE

- Llene la bomba a través de la abertura superior de la T, con agua limpia. Vea la Figura 1.
- Instale el tapón de la tubería en la parte superior de la T usando cinta de Teflon™ o equivalente en las roscas macho.

AVISO: SI LA BOMBA ESTÁ VACIA O CERRADA AL MOMENTO DEL CEBADO, ASEGÚRESE DE QUE LA CARCASA SE VUELVA ALLENAR ANTES DE VOLVER A ARRANCAR LA BOMBA.

- Arranque el motor de la bomba y espere que la presión del sistema se estabilice. Si la presión del sistema está con pulsación, o se experimenta una prolongada caída de presión, es probable que el sistema no esté totalmente cebado.

ROTACIÓN

AVISO: LA ROTACIÓN INCORRECTA PUEDE CAUSAR DAÑO A LA BOMBA Y ANULAR LA GARANTÍA.

- La rotación correcta es la derecha, en sentido **HORARIO** cuando se mira desde el extremo del motor.
- La rotación de la unidad trifásica se puede verificar quitando la tapa extrema del motor o tapón y observando la rotación del eje del motor. Para invertir la rotación, invierta dos cualesquiera de los tres conductores del motor.

MANTENIMIENTO



LA OMISIÓN DE DESCONECTAR Y TRABAR LA ALIMENTACIÓN ELÉCTRICA ANTES DE INTENTAR CUALQUIER MANTENIMIENTO PUEDE CAUSAR SEVERAS LESIONES CORPORALES.



LA OMISIÓN DE ALIVIAR LA PRESIÓN DEL SISTEMA Y DRENAR EL SISTEMA ANTES DE INTENTAR CUALQUIER MANTENIMIENTO PUEDE CAUSAR LESIONES CORPORALES GRAVES O DAÑOS A LA PROPIEDAD.

- La bomba no requiere lubricación alguna. Para la lubricación del motor, consulte y siga las instrucciones del fabricante.

SERVICIO DE TEMPORADA

- Para **RETIRAR** la bomba del servicio, quite todos los tapones de drenaje y drene toda la tubería.
- Para **DEVOLVER** la bomba al servicio, vuelva a poner todos los tapones usando cinta de Teflon™ o equivalente.
- Reconecte la línea de succión si se quitó, examine la unión y repare si es necesario.
- Vuelva a cebar y hacer funcionar la bomba siguiendo todas las instrucciones y advertencias en la sección **“OPERACIÓN”** de este manual.

DESMONTAJE

- Siga TODAS las advertencias e instrucciones en la sección **“MANTENIMIENTO”** de este manual.

 1. Remueva los pernos de sujeción del motor.
 2. Remueva los pernos de la brida de succión (16).
 3. Remueva la brida de succión (17).
 4. Remueva el montaje de la válvula de retención (15).
 5. Remueva los pernos de la carcasa (12).
 6. Remueva el adaptador del motor de la carcasa (1).
 7. Remueva el difusor (4) y el anillo de estancamiento del difusor (3). Deseche el anillo.
 8. Inserte un destornillador en uno de los canales del impulsor para restringir la rotación del eje del motor y quite el perno del impulsor (6). Deseche.
 9. Remueva la arandela del impulsor (7), el impulsor (8) y la chaveta del impulsor (14). Si es difícil quitar el impulsor, inserte dos barras de palanca entre el impulsor y el adaptador, espaciadas en 180° y **CUIDADOSAMENTE** haga palanca y retire el impulsor.
 10. Remueva los pernos del adaptador del motor (12) y desconecte el adaptador del motor, halando con él, el sello mecánico (9).
 11. Empuje el asiento estacionario del sello mecánico fuera del adaptador del motor y deséchelo.
 12. Inspeccione la camisa del eje (13). Si está dañada o muy rayada, remuevala aplicando calor con un soplete. Deséchela.

AVISO: TENGA CUIDADO AL MANEJAR LA CAMISA CALIENTE DEL EJE.

REENSAMBLE

- Limpie e inspeccione todas las piezas antes de reensamblar.
- Consulte la lista de piezas para la descripción de los artículos de reemplazo. Especifique el número de índice de la bomba cuando ordene piezas de repuesto.

 1. Inspeccione el eje, quitando cualquier residuo o rebabas.
 2. Al cambiar la camisa del eje, aplique LOCQUIC® Primer “N”, o equivalente, al agujero de la camisa del eje nuevo. Deje que las piezas sequen y luego aplique LOCTITE® #262 a las mismas superficies. Deje deslizar la nueva camisa sobre el eje con un movimiento de torsión, limpie el exceso. Deje curar de acuerdo a las instrucciones.

AVISO: EL SELLO MECÁNICO SE DEBE CAMBIAR SIEMPRE QUE SE HAYA SIDO QUITADO. SIGA CUIDADOSAMENTE LAS INSTRUCCIONES DEL FABRICANTE DEL SELLO.

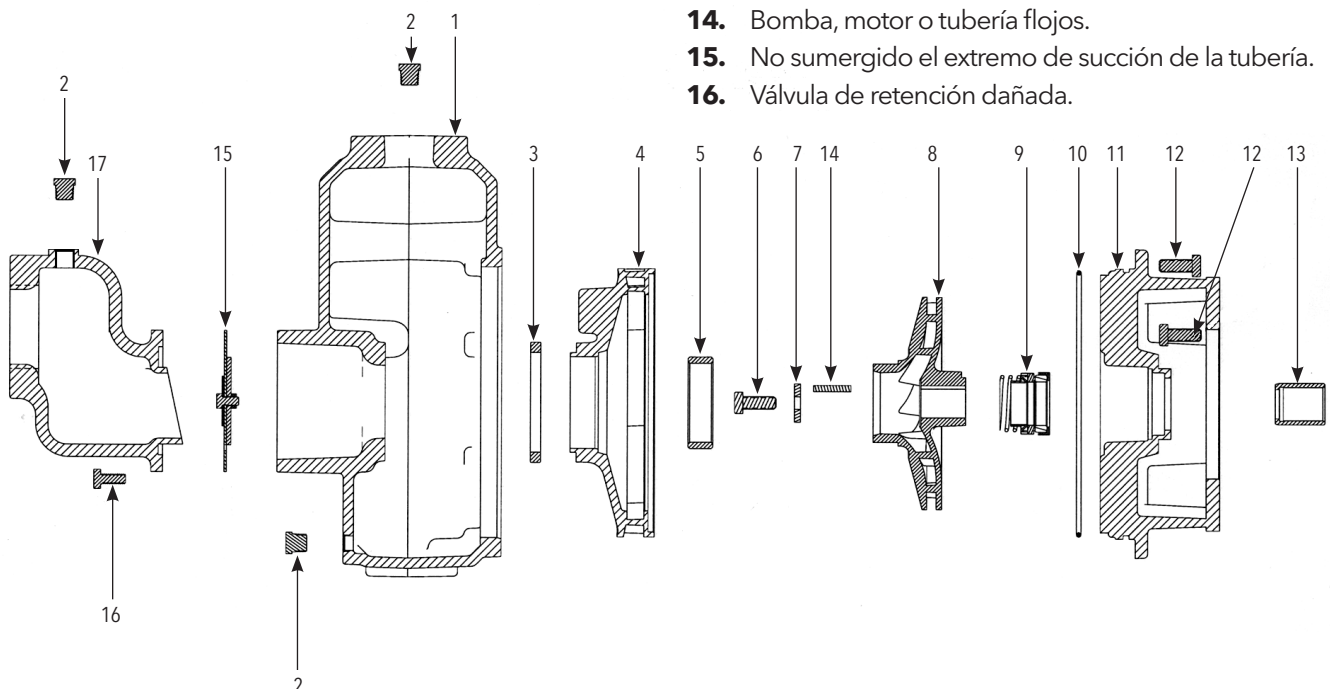
3. Si es necesario, el anillo del asiento se puede lubricar con agua o glicerina para ayudar a la instalación. **NO** contamine la cara del sello. Instale en forma completa y encuadrada el asiento estacionario en el adaptador. Con una tela limpia y sin pelusas, **CUIDADOSAMENTE** limpie la cara del sello de todo residuo. **NO** dañe la cara del asiento del sello.
4. Vuelva a instalar el adaptador del motor en el motor, asegurándose de que el eje no disloque o dañe el asiento de sello estacionario.
5. Instale en forma completa y encuadrada el conjunto giratorio del anillo contra el asiento estacionario. Asegúrese de que la cara del sello no caiga fuera del collar de sujeción y **NO** dañe la cara del sello.
6. Instale la chaveta del impulsor en el chavetero del eje. Monte el impulsor en el eje y empuje a fondo hasta que haga tope.
7. Instale una nueva arandela de impulsor.
8. Inserte un destornillador en un pasaje de canal del impulsor sosteniéndolo contra la rotación e instale el perno del impulsor nuevo. Ajuste con un torque de 20 libras-pie (27 N•M).
9. Quite cualquier rebaba que cause el destornillador sobre la periferia del impulsor en los pasajes de los canales.
10. Quite y reemplace el aro tórico (10) del adaptador del motor. Lubrique ligeramente con lubricante Parker para aros tóricos o uno equivalente.
11. Ubique el difusor en el adaptador del motor con el tope en posición de las agujas del reloj marcando las 12.
12. Ubique el anillo de estancamiento del difusor en la oreja mecanizada del difusor y asegúrese de que esté bien colocado en su lugar.
13. Instale el motor y el conjunto de rotación en la carcasa, verifique la posición del anillo de estancamiento, apriete los pernos de la carcasa en forma alternativa y pareja. Ajuste con un torque de 37 libras-pie (50 N•M).
14. Verifique la fijación del impulsor haciendo girar el eje del motor. Si existe fijación, afloje los pernos, reajuste el difusor hasta que el núcleo de impulsor rote libremente. Ajuste los pernos nuevamente.
15. Coloque los pernos de la brida de succión a través de los agujeros y coloque el montaje de la válvula de retención sobre los pernos (reemplace si está dañado). Cuidadosamente, apriete los pernos de la brida de succión a la carcasa, asegurándose de que el montaje de la válvula de retención esté posicionada de manera tal que la cara de goma quede enfrentada a la cara de la brida de succión.
16. Reemplace los pernos de pie del motor.
17. Verifique la rotación libre después de que termine el montaje.
18. Reemplace todos los tapones de drenaje, usando cinta teflón en las roscas macho.
19. Cebe de acuerdo con las instrucciones de la sección **“OPERACIÓN”** del manual.

PIEZAS DE REPARACIÓN

Ubicación	Descripción	Material	Cant.
1	Carcasa 1½" NPT	Hierro fundido	1
	Carcasa 2" NPT		
	Carcasa 2½" NPT		
2	Tapón de Tubería ¼" NPT	Flanje de succión	1
		Carcasa	2
3	Anillo de estancamiento del difusor	BUNA	1
4	Difusor – Carga alta	Hierro fundido	1
	Difusor – Carga media		
5	Anillo de desgaste de la carcasa	Bronce*	1
6	Tornillo del impulsor	AISI 300 SS	1
7	Arandela del impulsor		1
8	Impulsor – Carga alta	5 HP	1
		3 HP	
	Impulsor – Carga media	5 HP	
		3 HP	
9	Sello Mecánico	**	1
10	Aro tórico	BUNA-N	1
11	Adaptador del motor - 140/180 FR	Hierro fundido	1
12	Tornillo de cabeza hexagonal .38 - 16 UNC .88 Lg	Carcasa	8
		Motor	4
13	Camisa del eje	AISI 300 SS	1
14	Chaveta cuadrada		
15	Montaje de válvula de retención	BUNA-SS	1
16	Tornillo de cabeza hexagonal .31 - 18 UNC .75 Lg	Acero enchapado en Zinc	4
17	Flanje de Succión	1" NPT	Cast Iron
		2½" NPT	
		3" NPT	

* Sin plomo

** Consultar en fábrica



INVESTIGACIÓN DE AVERÍAS

ADVERTENCIA



Un voltaje peligroso puede producir golpes eléctricos, quemaduras o la muerte.

LA OMISIÓN DE DESCONECTAR LA ALIMENTACIÓN ELÉCTRICA ANTES DE INTENTAR CUALQUIER MANTENIMIENTO PUEDE CAUSAR ELECTROCHOQUES, QUEMADURAS O LA MUERTE.

SÍNTOMA

Motor no funciona:

Vea las causas probables del 1 al 5.

Poca o ninguna entrega de agua:

Vea las causas probables 3, 4, 6 a 12, 15, 16.

Excesivo ruido y vibraciones:

Vea las causas probables 3, 6, 7, 10, 12, 13, 14.

CAUSAS PROBABLES

1. Protector térmico del motor disparado.
2. Interruptor automático abierto o fundido el fusible.
3. Impulsor atascado.
4. Motor mal conectado.
5. Motor defectuoso.
6. Bomba no está cebada, hay aire o gases en el líquido bombeado.
7. Tapada la descarga, succión o cerrada la válvula.
8. Rotación incorrecta.
9. Baja tensión o pérdida de fase.
10. Impulsor desgastado o tapado.
11. Cabeza del sistema muy elevada.
12. Demasiado baja la ASPN_D (altura de succión positiva neta disponible) - excesiva la altura de aspiración o las pérdidas.
13. Demasiado baja la altura de descarga - caudales excesivos.
14. Bomba, motor o tubería flojos.
15. No sumergido el extremo de succión de la tubería.
16. Válvula de retención dañada.

NOTAS

GARANTÍA COMERCIAL

Para los productos vendidos a compradores comerciales, el Vendedor garantiza que los productos vendidos al Comprador en virtud del presente (con excepción de membranas, sellos, juntas, materiales de elastómero, revestimientos y otras "partes de desgaste" o consumibles, que no se garantizan, con excepción de lo dispuesto por el contrario en la cotización o formulario de venta) (i) se construirán de acuerdo con las especificaciones referidas en la cotización o formulario de venta, si tales especificaciones se realizan expresamente como parte de este Acuerdo, y (ii) están libres de defectos en material y mano de obra por un período de un (1) año desde la fecha de instalación odieciocho (18) meses desde la fecha de envío (y tal fecha de envío no deberá ser posterior a treinta (30) días posteriores a la recepción del aviso que los productos están listos para ser enviados), lo que ocurra primero, a menos que se especifique un período mayor en la documentación del producto (la "Garantía").

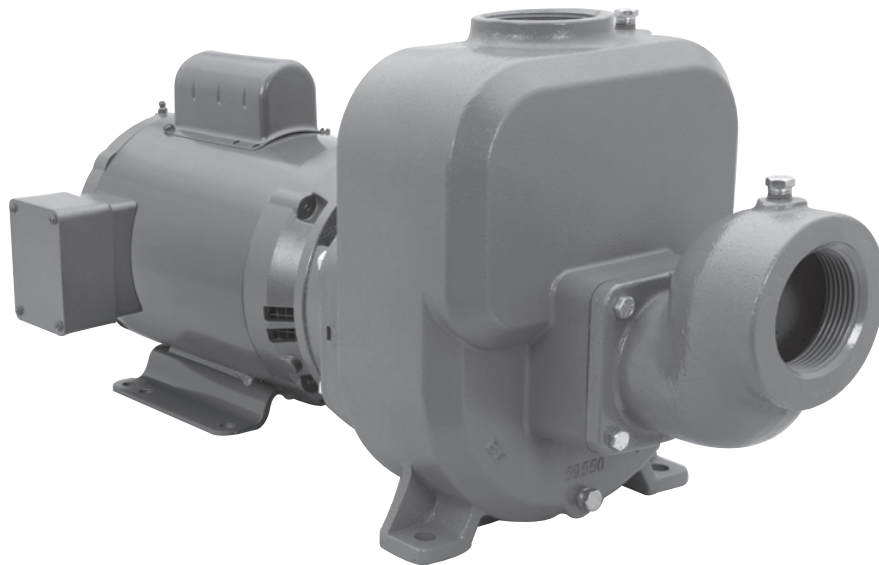
Con excepción de lo requerido por ley, el Vendedor, a su opción y sin costo alguno para el Comprador, reparará o reemplazará el producto que no se ajuste a la Garantía en tanto que el Comprador envíe un aviso escrito al Vendedor sobre todo defecto en material o mano de obra dentro de diez (10) días de la fecha en que aparecen por primera vez los defectos o no conformidades. Según la opción de reparación o reemplazo, el Vendedor no estará obligado a remover o pagar la remoción del producto defectuoso ni instalar o pagar la instalación del producto reemplazado o reparado y el Comprador será responsable de todos los demás costos, que incluyen, entre otros, los costos de servicio, aranceles y gastos de envío. El Vendedor tendrá la exclusiva facultad de decisión con respecto al método o medio de reparación o reemplazo. El incumplimiento del Comprador de las instrucciones de reparación o reemplazo del Vendedor rescindirá las obligaciones del Vendedor en virtud de esta Garantía y anulará esta Garantía. Toda pieza reparada o reemplazada en virtud de la Garantía es garantizada solo por el resto del período de garantía por las piezas reparadas o reemplazadas. El Vendedor no tendrá obligaciones de garantía frente al Comprador con respecto a ningún producto o pieza de un producto que haya sido: (a) reparado por terceros que no sean el Vendedor o sin la aprobación escrita del Vendedor; (b) sujeto a uso incorrecto, aplicación incorrecta, descuido, alteración, accidente o daño físico; (c) usado de forma contraria a las instrucciones del Vendedor para la instalación, operación y mantenimiento; (d) dañado por el uso y desgaste normal, corrosión o ataque químico; (e) dañado debido a condiciones anormales, vibración, falta de cebado correcto o funcionamiento sin flujo; (f) dañado debido a una fuente de alimentación defectuosa o protección eléctrica incorrecta; o (g) dañado debido al uso de equipos accesorios no vendidos o aprobados por el Vendedor. En el caso de productos no fabricados por el Vendedor, no hay garantía del Vendedor; sin embargo, el Vendedor extenderá al Comprador toda garantía recibida del proveedor del Vendedor de tales productos.

LA GARANTÍA ANTERIOR ES EXCLUSIVA Y REEMPLAZA TODA OTRA GARANTÍA, CONDICIÓN O TÉRMINO EXPRESO O IMPLÍCITO DE CUALQUIER NATURALEZA RELACIONADO CON LOS PRODUCTOS PROVISTOS EN VIRTUD DEL PRESENTE, INCLUYENDO, SIN CARÁCTER LIMITATIVO, LAS GARANTÍAS IMPLÍCITAS DE COMERCIABILIDAD E IDONEIDAD PARA UN PROPÓSITO EN PARTICULAR, QUE POR EL PRESENTE SE RECHAZAN Y EXCLUYEN EXPRESAMENTE. CON EXCEPCIÓN DE LO DISPUESTO POR LA LEY EN CONTRARIO, EL EXCLUSIVO REMEDIO DEL COMPRADOR Y LA RESPONSABILIDAD TOTAL DEL VENDEDOR POR EL INCUMPLIMIENTO DE ALGUNA DE LAS GARANTÍAS ANTERIORES SE LIMITA A REPARAR O REEMPLAZAR EL PRODUCTO Y EN TODO CASO SE LIMITARÁ AL IMPORTE PAGADO POR EL COMPRADOR POR EL PRODUCTO DEFECTUOSO. EN NINGÚN CASO EL VENDEDOR SERÁ RESPONSABLE POR OTRA FORMA DE DAÑOS, YA SEA DIRECTOS, INDIRECTOS, LIQUIDADOS, INCIDENTALS, RESULTANTES, PUNITIVOS, EJEMPLARES O ESPECIALES, INCLUYENDO, ENTRE OTROS, LA PÉRDIDA DE GANANCIAS, LA PÉRDIDA DE AHORROS ANTICIPADOS O GANANCIAS, LA PÉRDIDA DE INGRESOS, LA PÉRDIDA DEL NEGOCIO, LA PÉRDIDA DE PRODUCCIÓN, LA PÉRDIDA DE OPORTUNIDAD O LA PÉRDIDA DE REPUTACIÓN.



Xylem Inc.
2881 East Bayard Street Ext., Suite A,
Seneca Falls, NY 13148
Teléfono: (800) 453-6777 Fax: (888) 322-5877
www.xylem.com/goulds

Xylem is a trademark of Xylem Inc.
Goulds es una marca registrada de Goulds Pumps, Inc. y se utiliza bajo licencia.
© 2022 Xylem Inc. IM081 Revisión Número 6 Mayo 2022



Modèle Prime Line SP

DIRECTIVES D'INSTALLATION, D'UTILISATION ET D'ENTRETIEN



INFORMATIONS POUR LE PROPRIÉTAIRE

Noter ci-dessous les informations de la plaque signalétique de la pompe. La garantie est présentée en page 24.

Numéro de modèle: _____

Numéro de série: _____

Détaillant: _____

N° de tél. du détaillant: _____

Date d'achat: _____

Date d'installation: _____

TABLE DES MATIÈRES

SUJET	PAGE
Consignes de sécurité.....	18
Description et caractéristiques	18
Données techniques	18
Tuyauterie	
Aspiration.....	18
Refoulement	19
Câblage et mise à la terre.....	19
Utilisation	19
Sens de rotation	19
Entretien.....	19
Démontage.....	20
Remontage	20
Liste de pièces de rechange	21
Diagnostic des anomalies.....	21
Déclaration de conformité.....	23
Garantie limitée.....	24

CONSIGNES DE SÉCURITÉ

AFIN DE PRÉVENIR LES BLESSURES GRAVES OU MORTELLES ET LES DOMMAGES MATÉRIELS IMPORTANTS, LIRE ET SUIVRE TOUTES LES CONSIGNES DE SÉCURITÉ FIGURANT DANS LE MANUEL ET SUR LA POMPE.



Le symbole ci-contre est un **SYMBOLE DE SÉCURITÉ** employé pour signaler les mots-indicateurs dont on trouvera la description ci-dessous. Sa présence sert à attirer l'attention afin d'éviter les blessures et les dommages matériels.



Préviens des risques qui **VONT** causer des blessures graves, la mort ou des dommages matériels importants.



Préviens des risques qui **PEUVENT** causer des blessures graves, la mort ou des dommages matériels importants.



Préviens des risques qui **PEUVENT** causer des blessures ou des dommages matériels.

AVIS : SERT À ÉNONCER LES DIRECTIVES SPÉCIALES DE GRANDE IMPORTANCE QUE L'ON DOIT SUIVRE.

LE PRÉSENT MANUEL A POUR BUT DE FACILITER L'INSTALLATION ET L'UTILISATION DE LA POMPE ET DOIT RESTER PRÈS DE CELLE-CI.

N'ENLEVER AUCUN AUTOCOLLANT DE SÉCURITÉ.



APPAREIL NON CONÇU POUR LES LIQUIDES DANGEREUX NI POUR LES GAZ INFLAMMABLES.



Les fluides dangereux peuvent causer un incendie, des brûlures ou la mort.

AVIS : INSPECTER L'APPAREIL ET SIGNALER IMMÉDIATEMENT TOUT DOMMAGE AU TRANSPORTEUR OU AU DÉTAILLANT. NE PAS UTILISER LA POMPE SI L'ON SOUPÇONNE QU'ELLE EST ENDOMMAGÉE.



Ce produit peut vous exposer à des produits chimiques, incluant le plomb, reconnus par l'État de la Californie comme pouvant être cancérigènes, causer des anomalies congénitales ou d'autres problèmes de reproduction. Pour plus d'informations : www.P65Warnings.ca.gov.

DESCRIPTION ET CARACTÉRISTIQUES

- La série SPM/SPH consiste en une gamme de pompes centrifuges autoamorçantes, à un étage et à aspiration en bout, servant à l'arrosage des pelouses, aux systèmes CVCA (chauffage, ventilation et conditionnement d'air) et au transfert d'eau de nature générale.
- Le corps de pompe est en fonte et comporte des orifices taraudés pour la vidange et la pose d'un vacuomètre.
- La roue est en bronze, fermée, équilibrée pour un fonctionnement en douceur et clavetée sur l'arbre de moteur.

- TOUS les moteurs sont conformes à la NEMA, sont du type à carcasse abritée (à ouvertures de ventilation protégées) ou fermée autoventilée, et tournent à 3500 r/min.



L'INSTALLATION DE LA POMPE DOIT INCLURE UN DRAINAGE ADÉQUAT

OU SITUÉ DE MANIÈRE À CE QUE D'AUTRES ÉQUIPEMENTS OU BIENS NE SOIENT PAS ENDOMMAGÉS EN CAS DE FUITE. LA POMPE NE DOIT PAS ÊTRE INSTALLÉE AU-DESSUS DE L'ÉQUIPEMENT SANS DRAINAGE ADÉQUAT. LE NON-RESPECT DE CETTE CONSIGNE POURRAIT CAUSER DES DOMMAGES MATÉRIELS.



UN SERRAGE EXCESSIF DES FIXATIONS DU BOÎTIER RISQUE DE LES

ENDOMMAGER ET DE CAUSER DES FUITES ET DES DOMMAGES MATÉRIELS.

DONNÉES TECHNIQUES

- Température maximale du liquide : 71 °C (160 °F)
- Démarrages par heure : 20, répartis uniformément

TUYAUTERIE

- On **DOIT** installer la pompe sur une surface plane, horizontale et solide, l'orifice de refoulement en haut.
- Laisser suffisamment d'espace pour l'entretien et l'aération. Protéger l'appareil contre les intempéries, les inondations et le gel.
- Afin de réduire les pertes de charge (par frottement) au minimum, maintenir la tuyauterie aussi courte que possible, ne pas employer un calibre de tuyau inférieur à celui des raccords d'aspiration et de refoulement ni utiliser d'accessoires ou de raccords de tuyauterie superflus.
- La tuyauterie **DOIT** posséder ses propres supports et **N'appliquer AUCUNE** contrainte sur la pompe.

AVIS : LA TUYAUTERIE DOIT ÊTRE POSÉE DE FAÇON À NE PAS APPLIQUER DE CONTRAINTES SUR LES RACCORDS D'ASPIRATION ET DE REFOULEMENT DE LA POMPE.

- L'emploi de ruban de Téflon^{MC} ou l'équivalent est recommandé pour **TOUS** les joints de tuyauterie.
- Chaque joint de tuyauterie **DOIT** être étanche.

ASPIRATION

- La hauteur d'aspiration ne devrait pas dépasser 7,6 m (25 pi).
- Poser un raccord union étanche sur le tuyau d'aspiration, près de la pompe (v. fig.1).

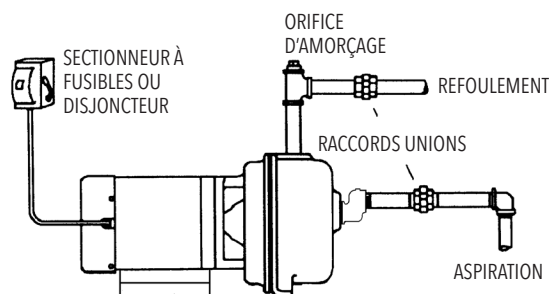


Figure 1

- Il est recommandé de poser un clapet de pied à l'entrée du tuyau d'aspiration ou un clapet de non-retour après l'orifice de refoulement de la pompe.

AVIS : LES DEUX CLAPETS PRÉCITÉS SONT RECOMMANDÉS QUAND LE TUYAU D'ASPIRATION EST LONG.

- Afin de prévenir les poches d'air, aucun élément de la tuyauterie d'aspiration ne devrait être plus haut que le raccord d'aspiration de la pompe, et les tronçons de tuyauterie horizontaux devraient avoir une légère pente ascendante vers la pompe.
- Lorsque le tuyau d'aspiration est long, le remplir d'eau avant de le raccorder à la pompe.
- Niveau d'assurer une bonne installation de la pompe d'utiliser les cales incluses (13K248-0,75 pouces ou 13K346-1,75 pouces) sous les pieds de moteur.

REFOULEMENT

- Poser au-dessus de l'orifice de refoulement un té dont une branche sera orientée vers le haut pour permettre l'amorçage initial de la pompe (v. fig. 1).

CÂBLAGE ET MISE À LA TERRE



Installer la pompe, la mettre à la terre et la brancher suivant les prescriptions du code provincial ou national de l'électricité pertinent et les règlements locaux.



Poser un sectionneur tout conducteur près de la pompe.



Couper le courant avant de procéder à l'installation ou à l'entretien de la pompe.



L'alimentation électrique **DOIT** être conforme aux spécifications de la plaque signalétique du moteur. Une tension inappropriée peut causer un incendie ou des dommages au moteur et annule la garantie.



Les moteurs sans protection intégrée **DOIVENT** être munis de contacteurs et de dispositifs de protection contre les surcharges thermiques s'ils sont alimentés en monophasé, et s'ils fonctionnent en triphasé, de démarreurs à dispositif de protection contre la surcharge. Consulter la plaque signalétique du moteur.

- Suivre soigneusement le schéma de câblage sur la plaque signalétique ou le cache-bornes du moteur.
- N'utiliser que du fil de cuivre pour la mise à la terre et l'alimentation du moteur. Le calibre du fil de terre **DOIT** être au moins égal à celui des fils d'alimentation, et les fils devraient tous être chromocodés pour faciliter l'entretien.



OMETTRE LA MISE À LA TERRE PERMANENTE DE LA POMPE, DU MOTEUR OU DES COMMANDES AVANT LE BRANCHEMENT À LA SOURCE DE COURANT PEUT CAUSER UN CHOC ÉLECTRIQUE, DES BRÛLURES OU LA MORT.

UTILISATION



L'ÉCLABOUSSEMENT OU L'IMMERSION DES MOTEURS ABRITÉS (À OUVERTURES DE VENTILATION PROTÉGÉES) PEUT CAUSER UN INCENDIE, UN CHOC ÉLECTRIQUE, DES BRÛLURES OU LA MORT.



L'UTILISATION D'UNE POMPE DÉSAMORCÉE OU DONT LE ROBINET DE REFOULEMENT EST FERMÉ PEUT SURCHAUFFER L'EAU QU'ELLE CONTIENT, LA TRANSFORMER EN VAPEUR ET CAUSER DES BLESSURES, DES DOMMAGES MATÉRIELS OU UNE EXPLOSION POUVANT ENTRAÎNER DES BLESSURES GRAVES, VOIRE MORTELLES, ET DES DOMMAGES MATÉRIELS IMPORTANTS.

- Amorcer la pompe en la remplissant d'eau propre par l'orifice supérieur du té (v. fig. 1).
- Recouvrir les filets du bouchon d'amorçage de ruban de Téflon^{MC} ou l'équivalent et visser le bouchon sur le té.

AVIS : SI LA POMPE SE VIDE OU S'ARRÊTE PENDANT L'AMORÇAGE, ON DOIT LA REMPLIR DE NOUVEAU AVANT DE LA REMETTRE EN MARCHÉ.

- Mettre la pompe en marche et attendre que la pression se stabilise. Des à-coups ou des chutes de pression prolongées peuvent indiquer que l'amorçage est incomplet.

SENS DE ROTATION

AVIS : LA ROTATION DANS LE MAUVAIS SENS PEUT ENDOMMAGER LA POMPE ET ANNULE LA GARANTIE.

- La rotation appropriée est en sens **HORAIRE** (vers la droite), vue de l'extrémité du moteur.
- Tout moteur monophasé ayant plus de quatre (4) fils (conducteurs) peut être du type réversible. On s'assurera alors qu'il tourne dans le bon sens. Voir le schéma de câblage sur la plaque signalétique du moteur.
- On peut vérifier le sens de rotation de l'arbre des moteurs triphasés en ôtant le couvercle ou l'obturateur situé à l'extrémité du moteur. Pour inverser la rotation, intervertir deux des trois conducteurs du moteur.

ENTRETIEN



OMETTRE LE VERROUILLAGE DE LA SOURCE DE COURANT EN POSITION OUVERTE (HORS CIRCUIT) AVANT D'EFFECTUER L'ENTRETIEN PEUT ENTRAÎNER DES BLESSURES GRAVES.



POUR PRÉVENIR LES BLESSURES GRAVES ET LES DOMMAGES MATÉRIELS IMPORTANTS, METTRE LE SYSTÈME HORS PRESSION ET LE VIDANGER AVANT D'EN EFFECTUER L'ENTRETIEN.

- La pompe ne nécessite aucune lubrification. Quant au moteur, consulter et suivre les directives du fabricant.

USAGE SAISONNIER

- Pour mettre la pompe **HORS** service, déposer tous les bouchons de vidange et vider tous les tuyaux.
- Pour remettre la pompe **EN** service, reposer tous les bouchons de vidange après en avoir recouvert les filets de ruban de Téflon^{MC} ou l'équivalent.
- Raccorder le tuyau d'aspiration à la pompe s'il a été désaccouplé, examiner le raccord union et effectuer les réparations nécessaires.
- Réamorcer et utiliser la pompe suivant les directives et les avertissements de la section UTILISATION ci-dessus.

DÉMONTAGE

- Suivre **CHAQUE** directive et avertissement de la section **ENTRETIEN** du présent manuel.
1. Enlever les boulons d'ancrage du moteur.
 2. Ôter les vis de fixation (16) de la bride d'aspiration (17).
 3. Déposer la bride d'aspiration.
 4. Enlever le clapet de non-retour (15).
 5. Ôter les vis de fixation (12) du corps de pompe (1) à l'adaptateur de moteur (11).
 6. Écarter l'ensemble d'entraînement de la roue d'avec le corps de pompe.
 7. Déposer le diffuseur (4) et en jeter l'anneau d'étanchéité (3).
 8. Bloquer la roue avec un tournevis inséré dans l'une de ses sorties, puis enlever et jeter la vis de roue (6) et sa rondelle (7).
 9. Déposer la roue (8) et sa clavette (14). Si la roue est grippée, la décoincer **DÉLICATEMENT** au moyen de deux leviers insérés l'un en face de l'autre entre l'adaptateur de moteur et la roue.
 10. Ôter les vis (12) fixant l'adaptateur de moteur au moteur. Enlever l'adaptateur et la garniture mécanique (9).
 11. Pousser l'élément fixe de la garniture mécanique hors de l'adaptateur. Jeter l'élément.
 12. Inspecter la chemise d'arbre (13). Si elle est endommagée, très éraflée, etc., la chauffer au chalumeau, la retirer et la jeter.

AVIS : MANIPULER LA CHEMISE D'ARBRE AVEC PRÉCAUTION QUAND ELLE EST CHAUDE.

REMONTAGE

- Chaque pièce devrait être nettoyée avant le remontage.
 - Pour commander une pièce, utiliser la description de la pièce dans la liste de pièces ainsi que le numéro d'article (catalogue) de la pompe.
1. Inspecter l'arbre et en enlever les résidus et les aspérités.

2. Avant de poser une nouvelle chemise d'arbre, en enduire la face intérieure d'apprêt («primer») N de LOCQUIC^{MD} ou l'équivalent. Laisser l'apprêt sécher, le recouvrir de LOCTITE^{MD} n° 262, puis enfile la chemise sur l'arbre dans un mouvement de rotation et essuyer l'arbre. Laisser le produit durcir selon les directives du fabricant.

AVIS : ON DOIT REMPLACER LA GARNITURE MÉCANIQUE CHAQUE FOIS QU'ON L'ENLÈVE. SUIVRE LES DIRECTIVES DU FABRICANT DE LA GARNITURE AVEC SOIN.

3. Au besoin, mouiller ou glycéliner l'élément fixe de la garniture mécanique pour en faciliter la pose. **NE PAS** le salir. Le pousser à fond et à angle droit dans son siège, sur l'adaptateur. Puis, avec un linge propre, nettoyer **SOIGNEUSEMENT** le siège. **NE PAS** l'endommager.
4. Poser l'adaptateur en veillant à y insérer l'arbre de moteur avec soin pour ne pas déloger ni endommager l'élément fixe ni en abîmer le siège.
5. Enfiler l'élément mobile de la garniture sur l'arbre et le pousser à fond et à angle droit contre l'élément fixe. S'assurer que l'élément mobile est bien maintenu en place par son collet de retenue. **NE PAS** endommager la garniture mécanique.
6. Insérer la clavette dans sa rainure, puis poser la roue et la pousser à fond.
7. Mettre une rondelle de roue neuve.
8. Bloquer la roue avec un tournevis introduit dans l'une de ses sorties, puis assujettir la roue avec une vis de roue neuve, serrée à 27 N·m (20 lbf·pi).
9. Débarrasser la roue de toute aspérité due au tournevis.
10. Enlever et remplacer le joint torique (10) de l'adaptateur de moteur. Enduire le joint neuf de lubrifiant à joints Parker ou l'équivalent.
11. Poser le diffuseur sur l'adaptateur de moteur, la plaque d'appui du diffuseur en haut.
12. Placer l'anneau d'étanchéité du diffuseur sur l'embouchure usinée de celui-ci et pousser l'anneau à fond.
13. Enfiler le corps de pompe sur l'ensemble d'entraînement de la roue tout en s'assurant que l'anneau d'étanchéité reste en place, puis serrer les vis de fixation du corps de pompe en croix et uniformément à 50 N·m (37 lbf·pi).
14. Faire tourner l'arbre de moteur pour s'assurer qu'il n'est pas grippé. S'il l'est, desserrer les vis retenant le corps de pompe et déplacer le diffuseur jusqu'à ce que la roue tourne sans frotter, puis resserrer les vis au couple indiqué.
15. Insérer les vis de la bride d'aspiration dans leur trou, enfile le clapet de non-retour (le remplacer s'il est endommagé) sur les vis, le côté en caoutchouc du clapet contre l'orifice oblique de la bride, puis assujettir la bride au corps de pompe avec précaution.
16. Reposer les boulons d'ancrage du moteur.
17. Une fois le remontage terminé, s'assurer que l'arbre tourne librement.
18. Reposer chaque bouchon de vidange après en avoir recouvert les filets avec du ruban de téflon.
19. Réamorcer la pompe selon les directives de la section **UTILISATION** ci-dessus.

LISTE DE PIÈCES DE RECHANGE

Pièce	Description	Matériau	Quantité
1	Corps de pompe – orifices de 1½ po, NPT	Fonte	1
	Corps de pompe – orifices de 2 po, NPT		
	Corps de pompe – orifices de 2½ po, NPT		
2	Bouchon de tuyau de ¼ po, NPT	Bride d'aspir.	1
		Corps de pompe	2
3	Anneau d'étanchéité du diffuseur	Buna	1
4	Diffuseur – hauteur de charge élevée	Fonte	1
	Diffuseur – hauteur de charge moyenne		
5	Bague d'usure du corps de pompe	Bronze*	1
6	Vis de roue	Inox	1
7	Rondelle de roue	AISI 300	1
8	Roue – hauteur de charge élevée	5 hp	Laiton-silicium*
		3 hp	
	Roue – hauteur de charge moyenne	5 hp	
		3 hp	
9	Garniture mécanique	**	1
10	Joint torique	Buna-N	1
11	Adaptateur de moteur (140 ou 180FR)	Fonte	1
12	Vis d'assemblage à tête hex. 0,38-16 UNC-0,88	Corps de pompe	8
		Moteur	4
13	Chemise d'arbre	Inox	1
14	Clavette – à bouts carrés	AISI 300	
15	Clapet de non-retour	Buna-inox	1
16	Vis d'assemblage à tête hex. 0,31-18 UNC-0,75	Acier	4
		zingué	
17	Bride d'aspiration	1 po, NPT	Fonte
		2½ po, NPT	
		3 po, NPT	

* Sans plomb.

** Communiquer avec l'usine.

DIAGNOSTIC DES ANOMALIES



OMETTRE DE COUPER LE COURANT AVANT D'EFFECTUER L'ENTRETIEN PEUT SE TRADUIRE PAR UN CHOC ÉLECTRIQUE, DES BRÛLURES OU LA MORT.

ANOMALIES

Le moteur ne fonctionne pas.

(V. causes probables 1 à 5)

Le débit de refoulement est faible ou nul.

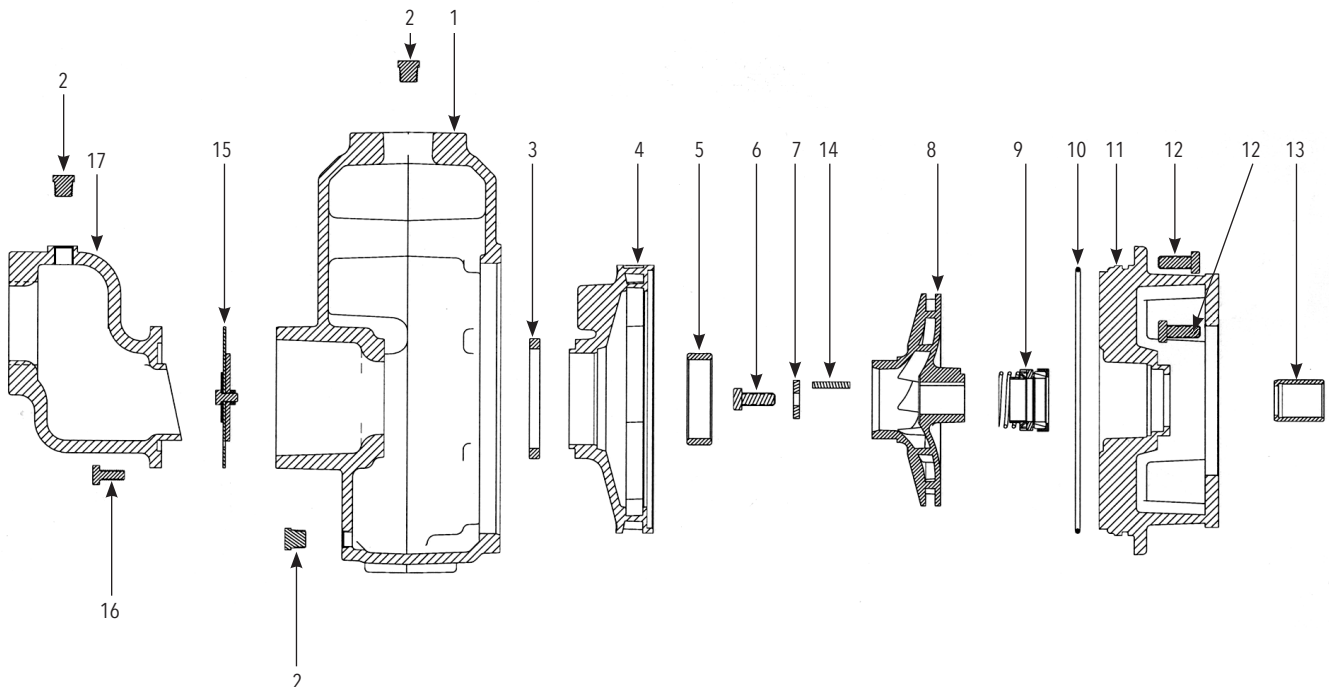
(V. causes probables 3, 4, 6 à 12, 15 et 16)

La vibration et le bruit sont excessifs.

(V. causes probables 3, 6, 7, 10 et 12 à 14)

CAUSES PROBABLES

1. Protecteur thermique du moteur déclenché
2. Disjoncteur ouvert ou fusible sauté
3. Roue grippée
4. Moteur mal connecté
5. Moteur défectueux
6. Pompe non amorcée, air ou gaz présent dans le liquide pompé
7. Tuyau d'aspiration ou de refoulement obstrué ou robinet(s) fermé(s)
8. Mauvais sens de rotation
9. Basse tension électrique ou perte de phase
10. Roue usée ou engorgée
11. Hauteur de charge du système trop élevée
12. Hauteur nette d'aspiration disponible (NPSHA) trop faible – hauteur ou perte d'aspiration excessives
13. Hauteur de refoulement trop faible – débit excessif
14. Pompe, moteur ou tuyauterie mal assujettis
15. Entrée du tuyau d'aspiration non immergée
16. Clapet de non-retour endommagé



Declaration of Conformity

We at,

Goulds Water Technology/Xylem Inc.

1 Goulds Drive

Auburn, NY 13021

Declare that the following products: NPE, MCS, MCC, 3656, 3656 SP, GB, e-SV, SVI, NPO, Prime Line SP, HB, HMS, LC, NPV, LB, LBS comply with Machine Directive 06/42/EC. This equipment is intended to be incorporated with machinery covered by this directive, but must not be put into service until the machinery into which it is to be incorporated has been declared in conformity with the actual provisions of the directive.

Declaración de Conformidad

Nosotros en

Goulds Water Technology/Xylem Inc.

1 Goulds Drive

Auburn, NY 13021

Declaramos que los siguientes productos: NPE, MCS, MCC, 3656, 3656 SP, GB, e-SV, SVI, NPO, Prime Line SP, HB, HMS, LC, NPV, LB, LBS cumplen con las Directivas para Maquinarias 06/42/EC. Este equipo ha sido diseñado para ser incorporado a la maquinaria cubierta por esta directiva pero no debe ponerse en funcionamiento hasta que se declare que la maquinaria en la que será incorporado cumple con las disposiciones reales de la directiva.

Déclaration de Conformité

Nous, à

Goulds Water Technology/Xylem Inc.

1 Goulds Drive

Auburn, NY, U.S.A. 13021,

déclarons que les produits NPE, MCS, MCC, 3656, 3656 SP, GB, e-SV, SVI, NPO, Prime Line SP, HB, HMS, LC, NPV, LB et LBS sont conformes à la directive 06/42/EC (législation relative aux machines). Ils sont destinés à être intégrés dans la machinerie faisant l'objet de ladite directive, mais ne doivent pas être mis en service tant que la machinerie en question ne sera pas déclarée conforme aux stipulations de la directive.

GARANTIE POUR UTILISATION COMMERCIALE

Pour les biens vendus aux acheteurs commerciaux, le vendeur garantit les biens vendus ci-dessous (sauf pour les membranes, joints d'étanchéités, joints, matériaux en élastomère, revêtements et autres « pièces d'usure » ou articles consommables, ces derniers n'étant pas garantis sauf indication contraire sur le formulaire de soumission ou de vente) seront (i) intégrés selon les spécifications indiquées sur la soumission ou le formulaire de vente, si ces spécifications font partie intégrantes de cette entente, et (ii) sont libres de toute défectuosité matériel et de fabrication pendant une période de un (1) an depuis la date d'installation ou dix-huit (18) mois depuis la date d'expédition (la date d'expédition ne sera pas ultérieure à trente (30) jours après la réception de l'avis que les biens sont prêts à être expédiés), la première instance à survenir, à moins qu'une période plus longue n'ait été indiquée sur la documentation du produit (la « Garantie »).

Sauf mention contraire dans les lois, le vendeur, à son choix et sans frais pour l'acheteur, réparera ou remplacera tout produit défectueux en vertu de la garantie pour autant que l'acheteur donne un avis écrit au vendeur de toutes défectuosités matérielles ou de main d'oeuvre dans les dix (10) jours de la première occurrence d'un défaut ou non conformité. En vertu de l'option de réparation ou de remplacement, le vendeur n'est soumis à aucune obligation de retirer ou de faire retirer le produit défectueux ni d'installer ou de payer pour l'installation du produit réparé ou remplacé. L'acheteur ne peut être tenu responsable de tout autre frais, incluant, entre autre, frais de réparation, d'expéditions et dépenses. Le vendeur à son entière discrétion choisira la méthode ou le moyen de réparation ou de remplacement. Le défaut de l'acheteur de se conformer aux directives de réparation ou de remplacement du vendeur conclura les obligations du vendeur en vertu de la présente garantie et annulera la garantie. Toutes pièces réparées ou remplacées en vertu de la garantie seront couvertes uniquement pour la durée de la garantie restante sur les pièces ayant été réparées ou remplacées. Le vendeur n'aura aucune obligation de garantie envers l'acheteur pour tout produit ou pièces du produit ayant été : (a) réparées par une tierce partie autre que le vendeur ou sans l'approbation écrite du vendeur; (b) soumises à une mauvaise utilisation, mauvaise application, négligence, altération, accident ou dommage physique; (c) utilisées de manière contraire aux directives d'installation, d'opération et d'entretien du vendeur; (d) endommagées par une usure normale, corrosion ou produits chimiques; (e) endommagées par des conditions anormales, vibrations, défaut d'une amorce adéquate ou opération sans débit; (f) endommagées par une alimentation électrique défectueuse ou une mauvaise protection électrique; ou (g) endommagées par l'utilisation d'un accessoire n'ayant pas été vendu ou approuvé par le vendeur. Dans le cas de produits n'ayant pas été fabriqués par le vendeur, ce dernier n'offre aucune garantie; cependant le vendeur fera profiter l'acheteur de toute garantie qu'il aura reçu du fournisseur de tels produits.

LA PRÉSENTE GARANTIE EST EXCLUSIVE ET REMPLACE TOUTE AUTRE GARANTIE OU CONDITIONS EXPRESSES OU IMPLICITES DE QUELQUE NATURE SE RAPPORTANT AUX BIENS FOURNIS CI-APRÈS, INCLUSANT, SANS LIMITE, TOUTE GARANTIE IMPLICITE DE QUALITÉ MARCHANDE ET DE CONFORMITÉ À DES FINS PARTICULIÈRES, QUI SONT RÉFUTÉES EXPRESSÉMENT ET EXLUES. SAUF MENTION CONTRAIRE DANS LES LOIS, LE SEUL RECOURS DE L'ACHETEUR ET LA RESPONSABILITÉ DU VENDEUR EN CAS DE BRIS D'UNE DES GARANTIES CI-APRÈS EST LIMITÉ À LA RÉPARATION OU AU REMPLACEMENT DU PRODUIT ET SERA DANS TOUS LES CAS LIMITÉ AU MONTANT PAYÉ PAR L'ACHETEUR POUR LE PRODUIT DÉFECTUEUX. EN AUCUN CAS, LE VENDEUR NE POURRA ÊTRE TENU RESPONSABLE DE TOUTES AUTRES FORMES DE DOMMAGES, QU'IL SOIT DIRECT, INDIRECT, LIQUIDÉ, ACCIDENTEL, CONSÉCUTIF, PUNITIF, EXEMPLAIRE OU DOMMAGES SPÉCIAUX, INCLUANT, ENTRE AUTRES, PERTE DE PROFIT, PERTE D'ÉCONOMIE PRÉVUE OU DE REVENU, PERTE DE RENTRÉE MONÉTAIRE, PERTE DE CLIENTÈLE, PERTE DE PRODUCTION, PERTE D'OPPORTUNITÉ OU PERTE DE RÉPUTATION.



Xylem Inc.

2881 East Bayard Street Ext., Suite A,
Seneca Falls, NY 13148

Téléphone: (800) 453-6777 Télécopie: (888) 322-5877

www.xylem.com/goulds

Xylem is a trademark of Xylem Inc.

Goulds est une marque déposée de Goulds Pumps, Inc. et est utilisé sous le permis.

© 2022 Xylem Inc. IM081 Révision numéro 6 Mai 2022