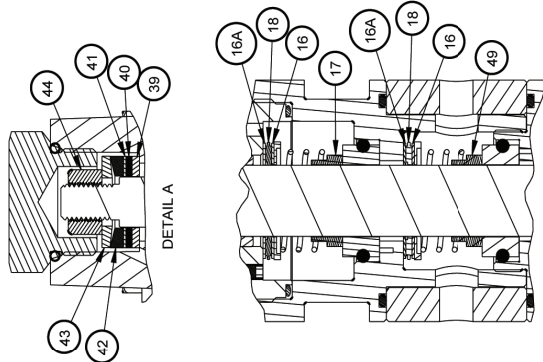


BS40UR-40 GPM Barrier Seal Pump With Relief Valve

Item	Part No.	Description	Qty.
1	SAE16	Screw On Plug	1
2	SE3916N70	O-Ring, Plug	1
4	KR364	Screw, Cover	8
5	D4030A11	Cover	1
6	H11F	Bearing	1
6A	H11F	Bearing	1
7	H21E	Wiper Seal	2
8	H28E	O-Ring, Cover	1
9	BS40C13MC	Shaft & Pinion Assembly	1
10	D4015C1	Pinion	1
11	D4014MC8	Shaft	1
12	F18C75	Key, 3/16 Sq X 3/4 Lg	1
13	D4026F1	Rotor	1
14	D403A11M	Case	1
16	H25C2	Washer	2
16A	H25C2	Washer	2
17	H18AM	Shaft Seal, Primary	1
18	H11TB2	Thrust Bearing	2
19	E49E	Set Screw, Vent	2
21	SE2137N70	O-Ring, Gland	1
22	SE2122N90	O-Ring, Valve Body	2
37	H22DD2F	Gland	1
39	F25C2	Washer	1
40	F11TB2	Thrust Bearing	1
41	F25C3	Washer	1
42	F25C5	Spherical Washer	1
43	F25C4	Spherical Washer	1
44	ZA532A	Nut	1
45	F41C	Pin	1
49	H18AM	Shaft Seal, Secondary	1
50	SE3932N70	O-Ring, Sleeve	2
51	H33RDS	Sleeve	1
52	H33SS3F	Gland	1
53	H11TB	Roller Bearing	1
54	H19A	Locking Collar	1
56	E90HC1.2	Screw, Valve Body	4
57	FD55SSA	Valve Body	1
58	F65C	Pipe Plug	1
59	RVPO5	Piston	1
60	F92B	O-ring, Piston	2
61	H52M	Spring	1
62	F56A	Bonnet	1
63	E64JN	Nut	1
64	F55C	Adjustment Screw	1



**BS40UR - 40 GPM Barrier Seal
Pump w/Relief Valve**

