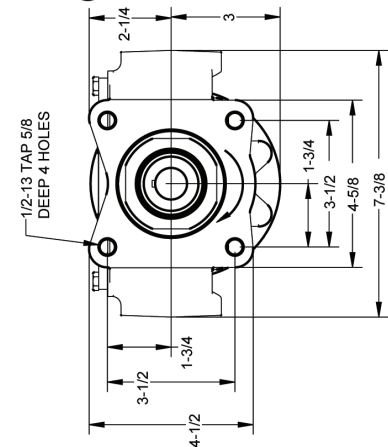
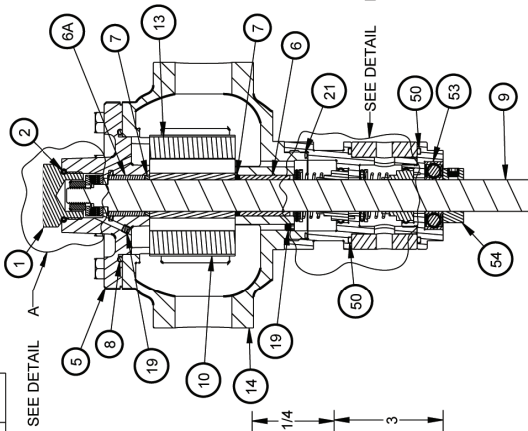
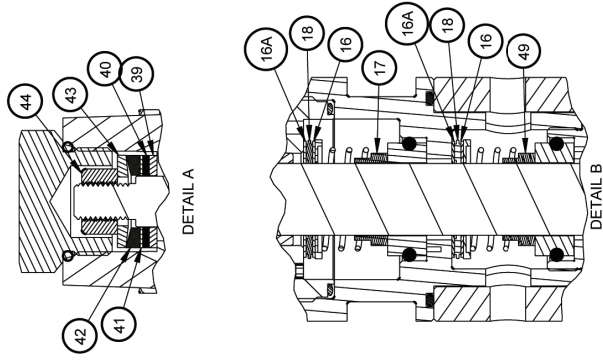


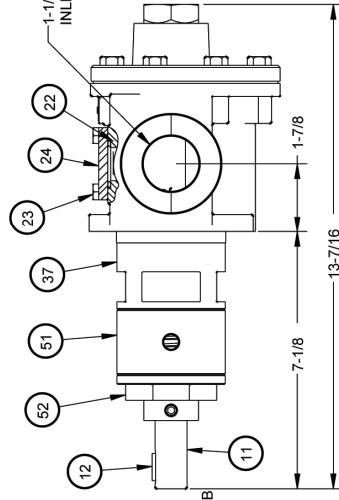
BS40U-40 GPM Barrier Seal Pump

Item	Part No.	Description	Qty.
1	SAE16	Screw On Plug	1
2	SE3916N70	O-Ring, Plug	1
4	KR364	Screw, Cover	8
5	D4030A11	Cover	1
6	H11F	Bearing	1
6A	H11F	Bearing	1
7	H21E	Wiper Seal	2
8	H28E	O-Ring, Cover	1
9	BS40C13MC	Shaft & Pinion Assembly	1
10	D4015C1	Pinion	1
11	D4014MC8	Shaft	1
12	F18C75	Key, 3/16 Sq X 3/4 Lg	1
13	D4026F1	Rotor	1
14	D403A11M	Case	1
16	H25C2	Washer	2
16A	H25C2	Washer	2
17	H18AM	Shaft Seal, Primary	1
18	H11TB2	Thrust Bearing	2
19	E49E	Set Screw, Vent	2

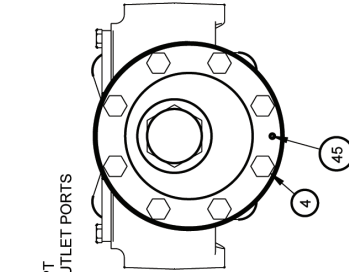
Item	Part No.	Description	Qty.
21	SE2137N70	O-Ring, Gland	1
22	SE2122N80	O-Ring, Cover Plate	2
23	E90HC.6	Screw, Cover Plate	4
24	D1030CP	Cover Plate	1
37	H22DD2F	Gland	1
39	F25C2	Washer	1
40	F11TB2	Thrust Washer	1
41	F25C3	Washer	1
42	F25C5	Spherical Washer	1
43	F25C4	Spherical Washer	1
44	ZA532A	Nut	1
45	F41C	Pin	1
49	H18AM	Shaft Seal, Secondary	1
50	SE3932N70	O-Ring, Sleeve	2
51	H33RDS	Sleeve	1
52	H33SS3F	Gland	1
53	H11TB	Roller Bearing	1
54	H19A	Locking Collar	1



ROTATION ARROW DENOTES  
STANDARD CLOCKWISE ROTATION  
SHAFT END VIEW



RIGHT SIDE



COVER END VIEW

CUTAWAY VIEW  
BOTTOM

**BS40U - 40 GPM Barrier Seal Pump w/o Relief Valve**