



Series UB Pumps

Models 24, 30, 40, 44, 54, 60, 70, and 80 gpm

The First Release of New Bronze Series UB Pumps

Haight® Pump is proud to introduce the first installment in our newest addition to the Haight® product family of *Pumps That Perform*, continuing a 70 year old tradition of supplying our customers with Rugged, Reliable, and Innovative Pumps. We've combined our versatile *Ductile Iron Universal Series* pump design with bronze and corrosion resistant materials to meet the needs of our customers ever changing process systems.

Key Features:

- "Gear within a Gear" Design for Quiet Operation
- Built In Gear Reduction, Fully Supported, Through-Shaft Design, utilizes Standard Motor Speeds
- *UniverSeal* built in Shaft Seal Flexibility
- Only Two Moving Parts reduces Maintenance and Wear
- Closed Coupled or Foot Mounted Bracket Designs
- Readily Accepts Magnetic Drive Option
- Inlet/Outlet Ports accept 1.5" NPT and 150# Flange Connections (24-40gpm) and 2" NPT, 150# & 300# Flange Connections (44-80gpm)
- 250 PSI Discharge Pressure Capability
- Non-Metallic Rotor eliminates galling problems, even with thin fluids including water
- Integral Relief Valve with "No Leak" Adjustment, and Tank Return Operation Capability

Standard Construction Features:

- 863 Bronze Housing for Maximum Corrosion Resistance
- Bronze C905 Pinion Gear and 440C Hardened, Polished Shaft Assembly
- Bronze C905 Rotor Gear
- Carbon Graphite Shaft Sleeve Bearings
- Viton® Elastomers

Options:

- Alternate Shaft Seal and O-ring Elastomer Materials – Neoprene, Silicone, Teflon or Kalrez®
- PTFE Teflon Rotor Gear
- Teflon or Vespel Shaft Sleeve Bearings
- 863 Bronze Integral Relief Valve up to 230PSI
- Magnetic Drive Available on all Models

Applications:

Chemical Processing • Pharmaceutical • Wastewater Treatment • Textile • Plastic • Tanning • Soap • Rubber • Photographic • Plating • Marine



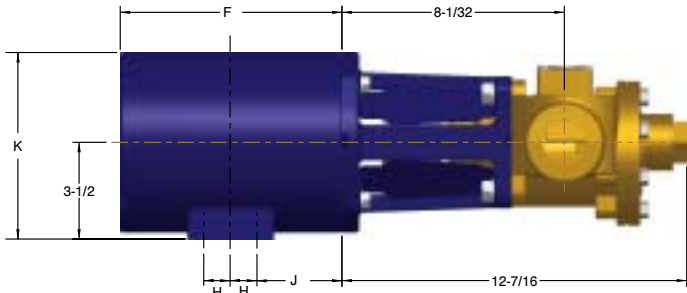
Contact Haight

For information on any of our pumps, call or write:

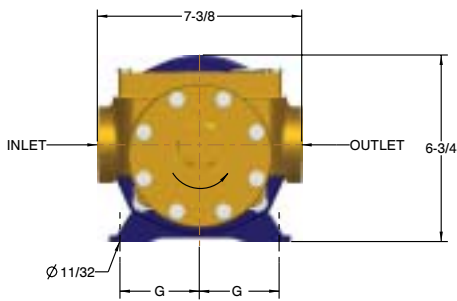
Haight Pumps
133 Enterprise Street • Evansville, WI 53536
Phone: 800-871-9250 • Fax: 608-882-3777
Website: haightpump.com

Z56S0 Bracket For 24-40 GPM Square Flanged Bronze Pumps

		F	G	H	J	K
FRAME	56	9-3/4	2-7/16	1-1/2	2-9/16	6-3/4
	143	10	2-3/4	2	2-3/4	6-13/16
		10	2-3/4	2-1/2	2-3/4	6-13/16



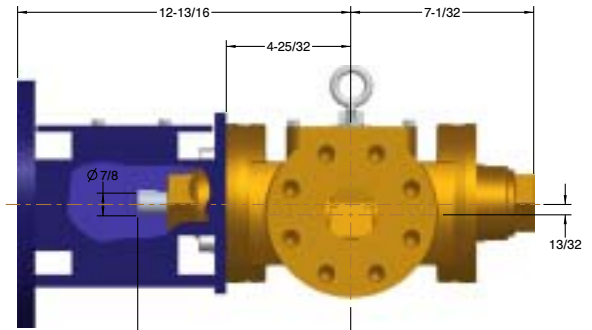
LEFT SIDE



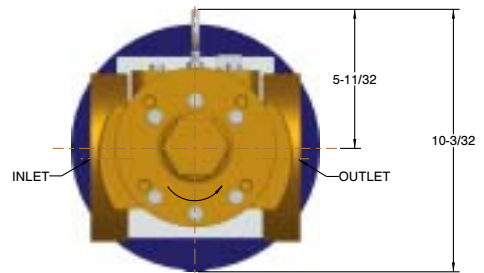
Motor Rotates
In Direction Shown

FRONT VIEW

80 GPM BRONZE PUMP WITH Z213D BRACKET



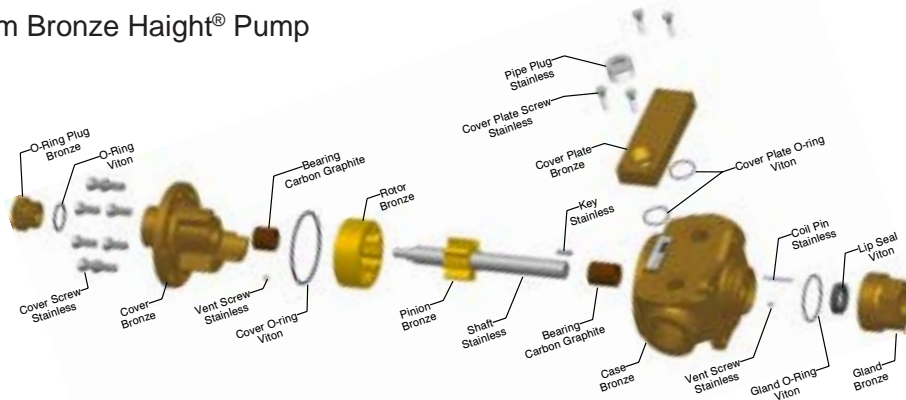
LEFT SIDE



Motor Direction
In Direction Shown

FRONT SIDE

24-40 gpm Bronze Haight® Pump



44-80 gpm Bronze Haight® Pump

