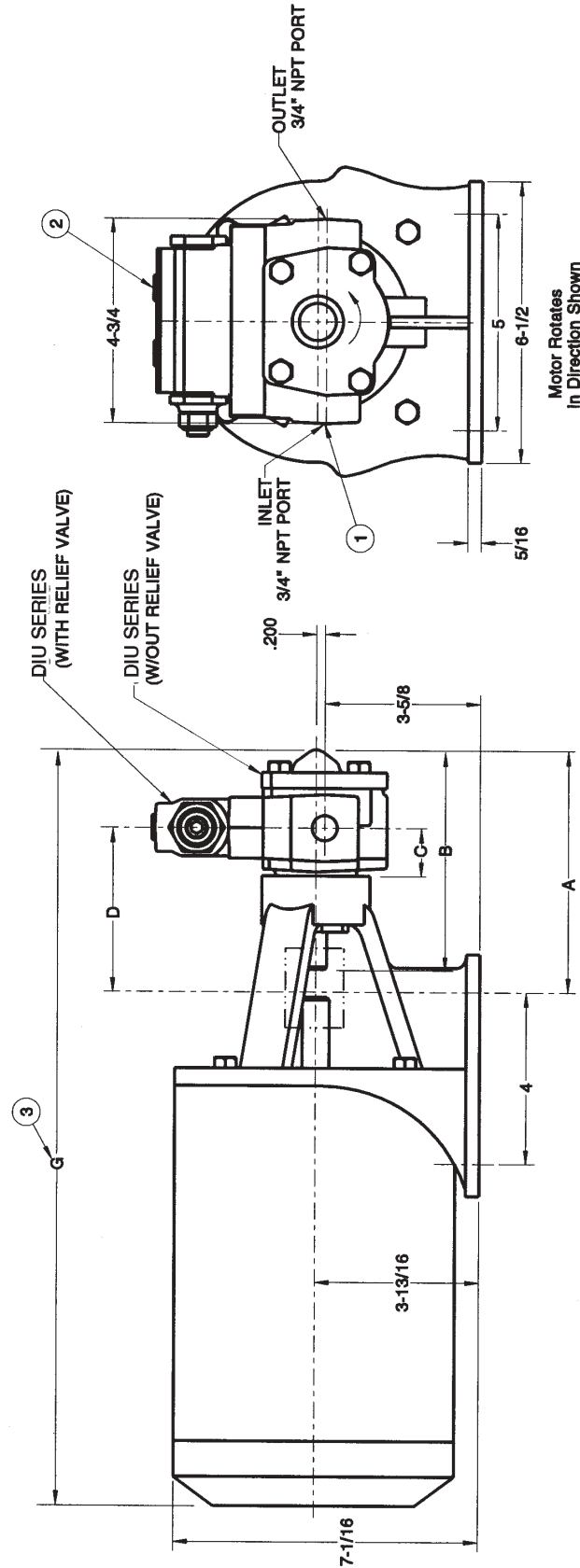


MOTOR FRAME	DIMENSION "G"				
	1U	3U	5U	6U	8U
48	17-3/16	17-3/16	17-3/8	17-13/16	18
56	17-9/16	17-9/16	17-7/16	18-3/16	18-3/8

PUMP MODEL	A	B	C	D
1U	5-5/8	5-1/8	1-3/16	3-7/8
3U	5-5/8	5-1/8	1-3/16	3-7/8
5U	5-13/16	5-5/16	1-3/16	3-7/8
6U	6-1/4	5-3/4	1-1/8	3-13/16
8U	6-7/16	5-15/16	1-1/8	3-13/16

- ① 3/4 in. IPT ports standard- 1/2 in. IPT ports on order.
- ② Relief valve pipe plugs 3/8 in. IPT- same for tank return port.
- ③ G varies with motor enclosure.



FRONT VIEW

LEFT SIDE