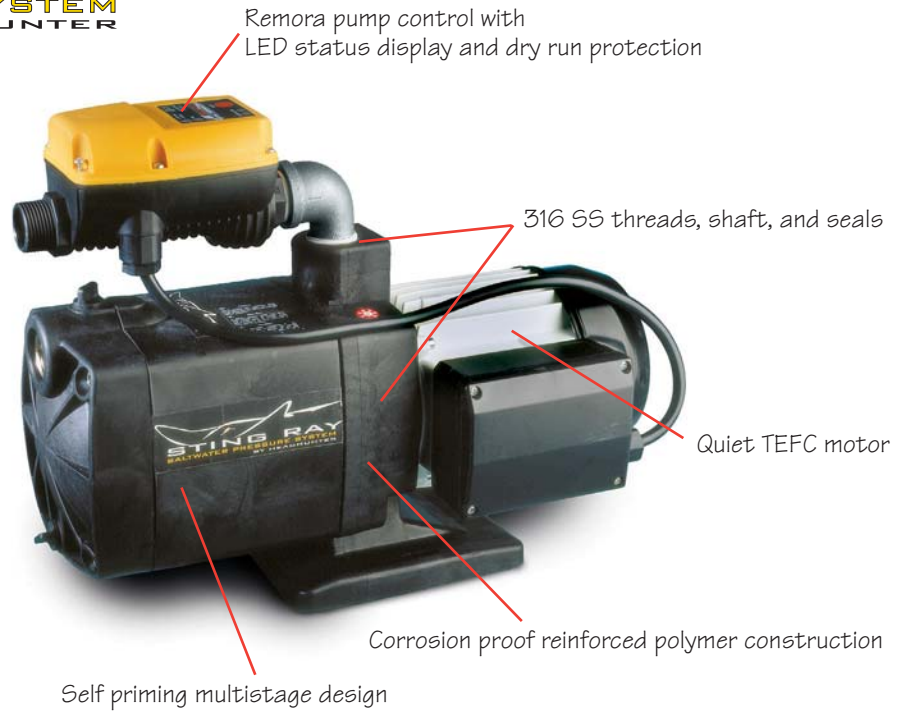


# Water Pressure Systems



The Stingray Saltwater Pressure System is designed specifically for continuous duty in the harsh marine environment, and is the perfect solution for saltwater toilet flushing, live bait wells, aquaculture, and anywhere else high flow/pressure salt or fresh water is needed. Featuring an innovative multi-stage impeller system driven by a quiet TEFC motor, the Stingray is able to deliver over 20 GPM and up to 67 psi. The pre-installed Remora pump control turns the pump on when system pressure drops to 40 psi, and off when the pump reaches a no flow condition, allowing the Stingray to operate with or without a pressure accumulator tank as well as providing dry-run protection. An easy to view control panel with L.E.D. diagnostics and dry run visual alarm makes troubleshooting and system monitoring a breeze.

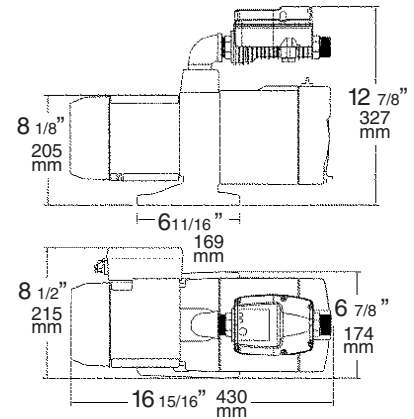


## SPECIFICATIONS

Liquid Temp.	32°F (0°C)-104°F (40°C)
Ambient Temp.	32°F (0°C)-122°F (50°C)
Max Pressure	67 PSI (4.5 bar)
Max Flow	20 GPM (76 lpm)
Suction/Discharge	1" FPT/1" MPT (1" GAS)
Weight	24lbs (10.9 kg)

*"The Stingray Saltwater Pressure System is an awesome solution for our deck washdown, and live baitwell needs. We especially like the simple no accumulator tank installation and amazing pressure it delivers!"*

*Paul Mann  
Mann Custom Boats  
Manns Harbor, N.C.*



## LISTING/CERTIFICATIONS

The Stingray has been tested and certified to surpass all requirements of Underwriters Laboratories UL 778 specifications for Motor Operated Pumps. The Stingray is CE approved.



Listing #01C01

Model	Voltage	Amps	Discharge Press. PSI (bar)			Max Shut Off PSI (bar)
			30 (2)	40 (2.7)	50 (3.4)	
			Flow in GPM (lpm)			
SR-115	115V/60hz	9	16 (60)	12 (46)	8 (31)	67 (4.5)
SR-230/60	230V/60hz	4	16 (60)	12 (46)	8 (31)	67 (4.5)
SR-230/50	230V/50hz	4	16 (60)	12 (46)	8 (31)	67 (4.5)

