

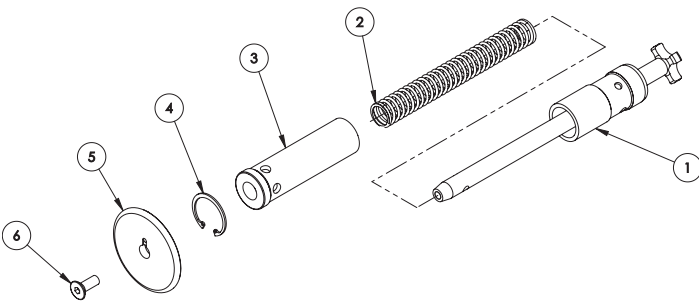
SUBJECT: T8030 Spool Travel Limiter Update

Wanner Engineering has updated the Spool Travel Limiter in the Hydra-Cell T8030 Pump to eliminate a recent failure mode. The old design had an unintentional spinning rotation under normal operation due to the way the oil flowed through the part. The rotation of the Spool Travel Limiter would wear the mating Snap Ring causing the Snap Ring to fail.

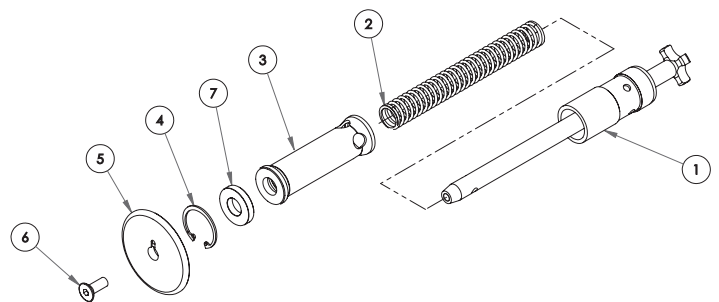
The new design decouples the rotation from the Snap Ring by adding a thick washer. In addition, the new design shifts back the oil flow holes to alleviate the rotational motion.

Please upgrade your pump at your earliest convenience.

Previous Spool Travel Limiter



New Spool Travel Limiter



Old Version			New Version		
Part Number	Description	Item No.	Part Number	Description	QTY
177-916	Assembly, bias rod & spool valve	1	Same	Same	1
177-223	Spring, bias	2	Same	Same	1
177-258	Spool Travel Limiter	3	Same	Same, new version	1
177-249	Ring, retaining, internal	4	Same	Same	1
177-263	Clamp, diaphragm	5	Same	Same	1
177-176	M6 x 1.0 FHMS	6	Same	Same	1
N/A	N/A	7	177-265	Spacer, bias spring	1

Wanner Engineering, Inc.

1204 Chestnut Avenue
 Minneapolis, MN 55403 USA
 Phone: 612-332-5681
 Fax: 612-332-6937
 Toll-Free Fax (USA): 800-332-6812
 Email: sales@wannereng.com
 www.Hydra-Cell.com

Wanner International Ltd.

8 & 9, Fleet Business Park
 Sandy Lane, Church Crookham
 Hampshire GU52 8BF, England
 Phone: +(44) 01252 816847
 Fax: +(44) 01252 629242
 Email: sales@wannerint.com
 www.hydra-cell.eu

Wanner Pumps Ltd.

Flat A, 21/F, Chatham Commercial Building
 399 Chatham Road North
 Hungghom, Kowloon, Hong Kong
 Phone: +(852) 3428-6534
 Fax: +(852) 3188-9145
 Email: sales@wannerpumps.com
 www.WannerPumps.com