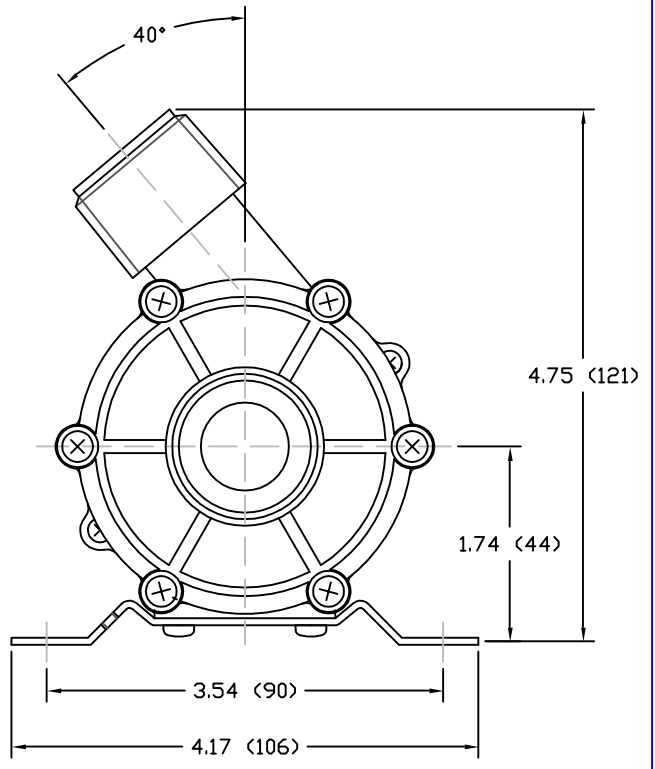
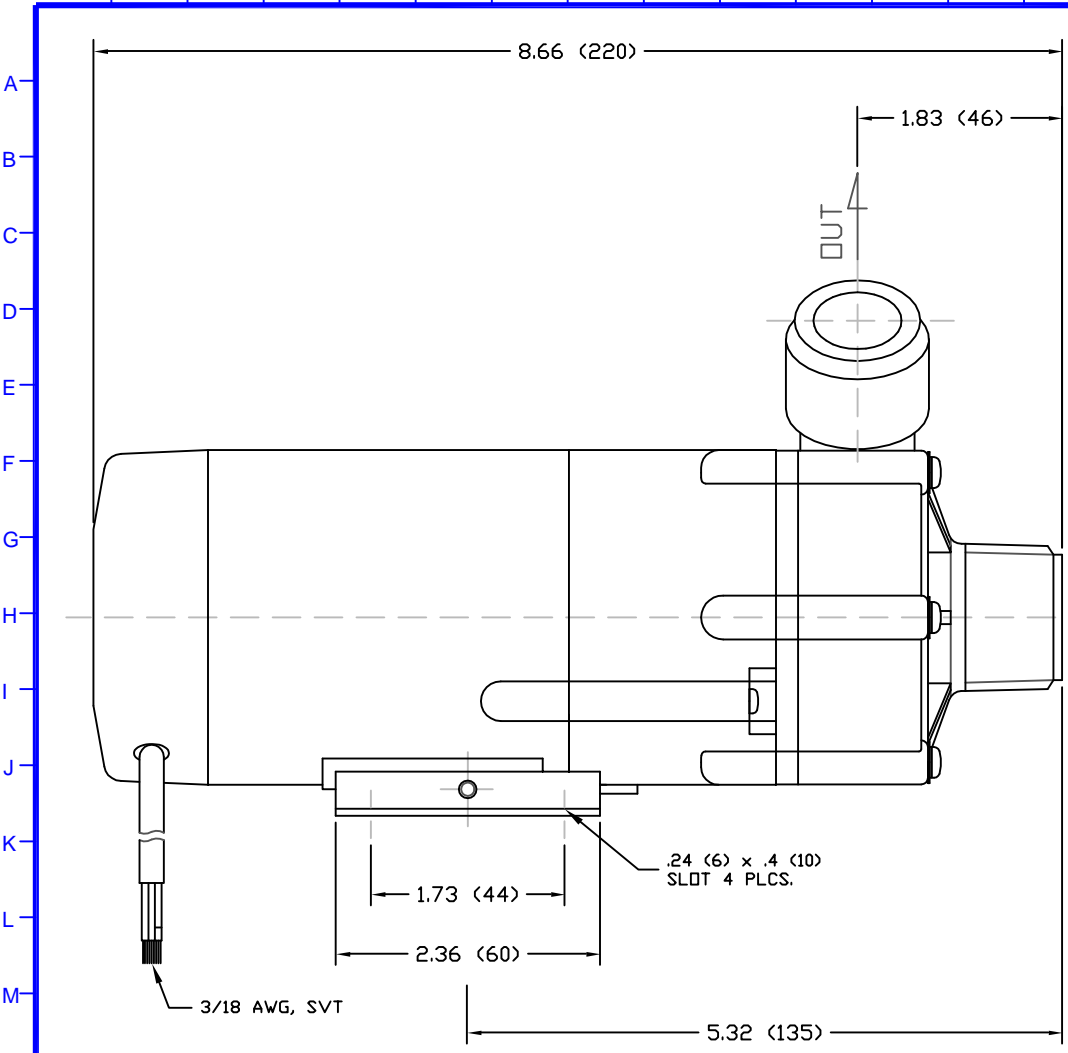


1 2 3 4 5 6 7 8 9 10 11 12 13 14 15 16 17 18 19 20 21 22 23 24 25

PART OR DRAWING NO. IF20566 REV. A




- NOTES:  
 1. DRAWING MAY VARY FROM ACTUAL PRODUCT.  
 2. REFER TO SPECIFICATION C910704.  
 3. DRAWN FROM 2Z000404 TO SCALE.  
 4. DIMENSIONS ARE IN INCHES (MM).

**MATERIALS**

CASING	GFRPP
IMPELLER	GFRPP
SPINDLE	ALUMINA CERAMIC
BEARING	PTFE
THRUST RING	ALUMINA CERAMIC
O-RING	FKM

**SPECIFICATIONS**

MAX CAPACITY	13.7 GPM (51.9 LPM)
MAX HEAD	8.2 FT (2.5 M)
MAWP	5.69 PSI (.04 MPA)
VOLTAGE	115 VAC
CURRENT	.5 A
CORD LENGTH	39.4 IN (1 M)
WEIGHT	4.41 LBS (2 KG)
SUCTION	1 IN NPT - MALE
DISCHARGE	1 IN NPT - MALE

ECO#	DESCRIPTION				DATE	REV. LTR.
MATERIAL SEE CHART						
GJS	04	03	05	XXX	1	PART OR DWG. NO. IF20566
DRAWN	DAY	MO.	YR.	RELEASED	SHEET NO.	
 www.IwakiAmerica.com		5 Boynton Rd. Hopping Brook Park Holliston, MA 01746 (508) 429-1440				REV. A
		TITLE MAG DRIVE PUMP MD-20RXT (115V)				