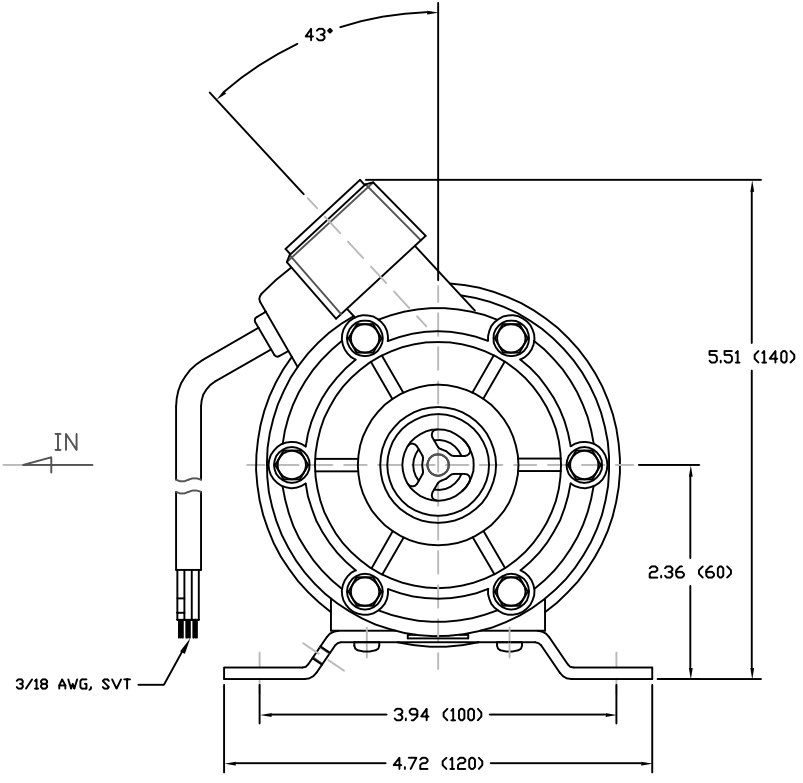
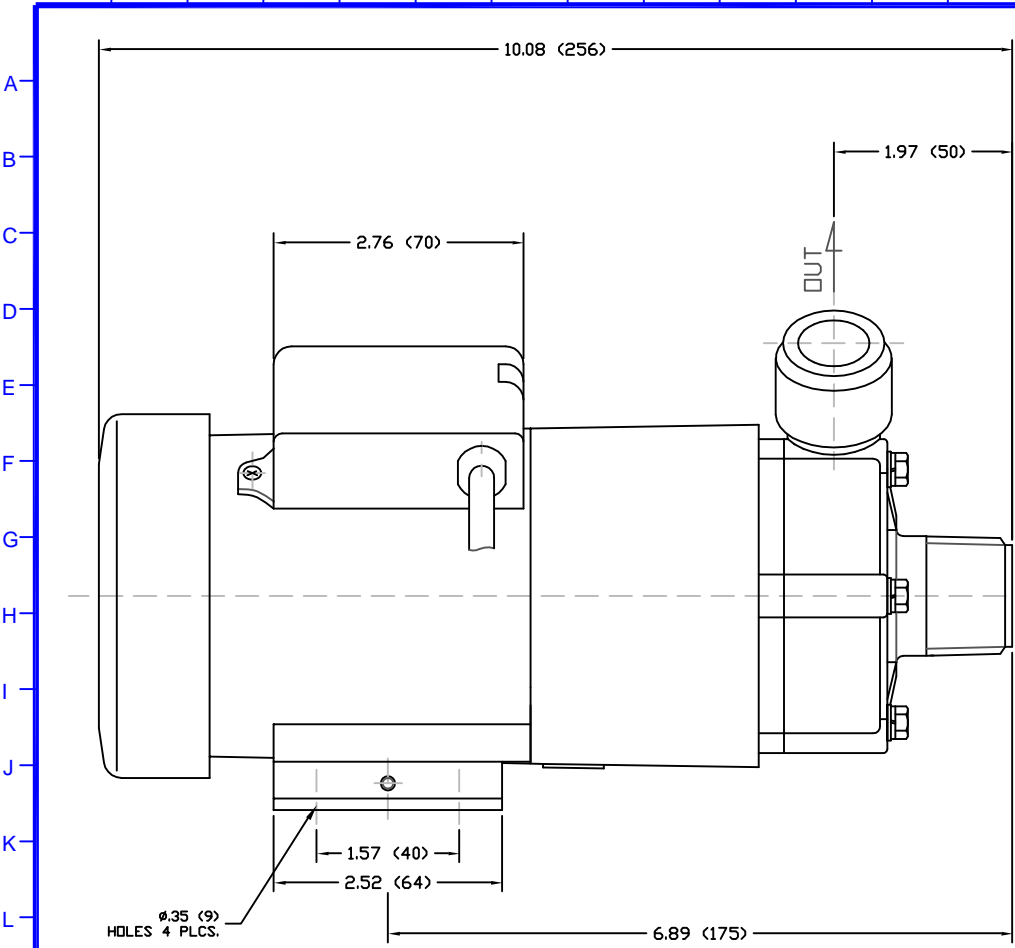


1 2 3 4 5 6 7 8 9 10 11 12 13 14 15 16 17 18 19 20 21 22 23 24 25

PART OR DRAWING NO. IF20572 REV. A




- NOTES:
 1. DRAWING MAY VARY FROM ACTUAL PRODUCT
 2. DRAWN FROM 22000416 TO SCALE.
 3. REFER TO SPECIFICATION C930913.
 4. DIMENSIONS ARE IN INCHES (MM).

MWP SPECIFICATIONS	
MAX CAPACITY	22.4 GPM (84.8 LPM)
MAX HEAD	15.4 FT (4.7 M)
MWP	9.95 PSI (.07 MPA)
VOLTAGE	115/220 VAC
CURRENT	1.2 A
CORD LENGTH	39.4 IN (1 M)
WEIGHT	8.6 LBS (3.9 KG)
SUCTION	1 IN NPT - MALE
DISCHARGE	1 IN NPT - MALE

MATERIALS

CASING	GFRPP
IMPELLER	GFRPP
SPINDLE	ALUMINA CERAMIC
BEARING	PTFE
THRUST RING	ALUMINA CERAMIC
O-RING	FKM

ECO#	DESCRIPTION	DATE	REV. LTR.
MATERIAL SEE CHART			
GJS	04 03 05	XXX	1
DRAWN	DAY	MO.	YR.
		RELEASED	SHEET NO.
 www.IwakiAmerica.com		5 Boynton Rd. Hopping Brook Park Holliston, MA 01746 (508) 429-1440	
		TITLE MAG DRIVE PUMP MD-40RXT (115/220V)	

PART OR DWG. NO. IF20572 REV. A