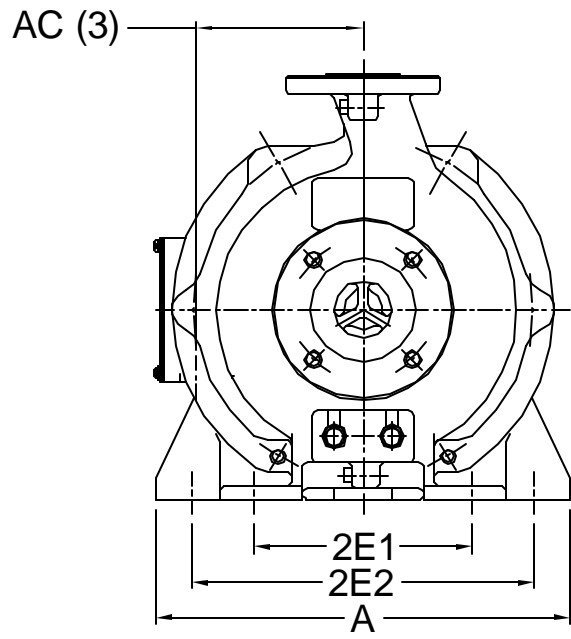
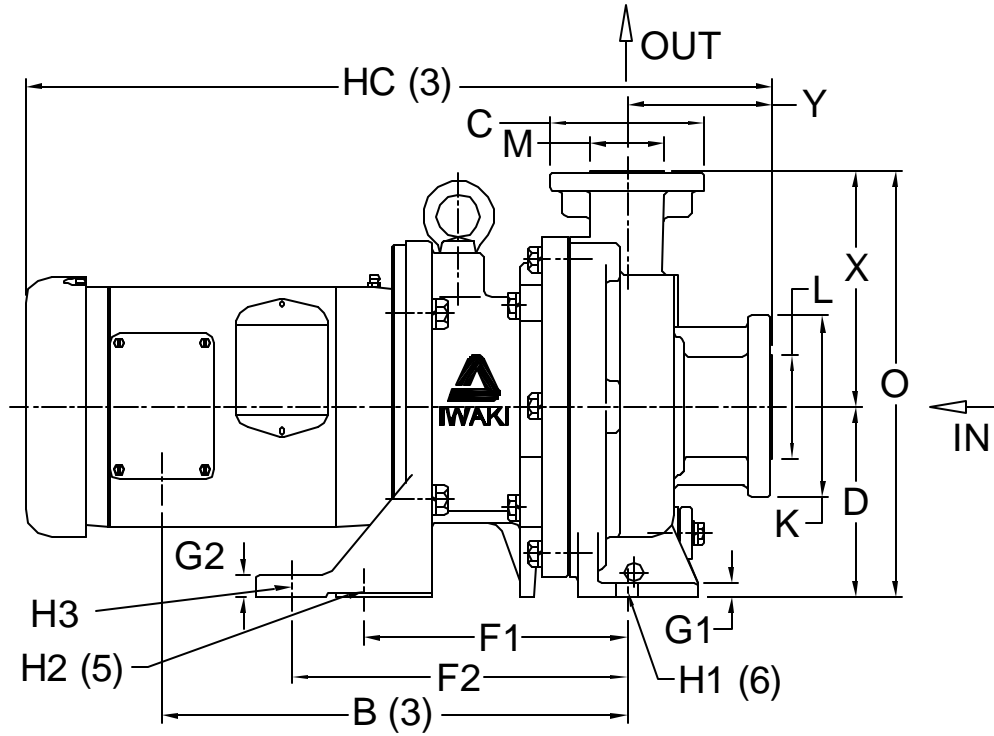


1 2 3 4 5 6 7 8 9 10 11 12 13 14 15 16 17 18 19 20 21 22 23 24 25

PART OR DRAWING NO. **IF20519** REV. **A**




PUMP DIMENSIONS (1)																
A	AC (3)	B (3)	D	2E1	2E2	F1	F2	G1	G2	H1(6)	H2 (5)	H3	HC (3)	O	X	Y
11.42"	4.62"	12.80"	5.26"	5.98	9.45"	7.24"	9.25"	0.39"	0.60"	0.63"	0.63"	0.63"	20.58"	11.76"	6.50"	4.00"

MODEL	HP/ FRAME	PUMP FLANGES (2)		DIMENSIONS			
		SUCTION	DISCHARGE	K	L	C	M
MDM-1516	2/145TC	1.5"	1"	5.00"	2.87"	4.25"	2.00"

NOTES AND REFERENCES:

- (1) ALL DIMENSIONS IN INCHES. ALL TOLERANCES $\pm .125"$, CONSULT IWAKI AMERICA FOR MORE DETAILS. ACTUAL PRODUCT MAY DIFFER ON SOME POINTS.
- (2) BOLT HOLE LOCATIONS OF SUCTION AND DISCHARGE FLANGES CONFORM TO ANSI B16.5 150 LB STANDARD. THE FLANGE BOLT HOLES HAVE 1/2" -13 UNC THREADS.
- (3) DIMENSION MAY VARY BASED ON MOTOR SIZE AND MANUFACTURER.
- 4 NEMA MG 1-1993, PART 4 USED FOR REFERENCE.
- (5) SLOT IS OPEN ENDED TO REAR OF FRAME.
- (6) SLOTS ARE OPEN ENDED TO SIDE OF FRAME.
- 7 PUMP DIMENSIONS BASED ON ANSI B73.3M-1997.
- 8 DRAWN PER 2Z000238 (MDM1516- F02A- 2).

10619		CREATED PRINT			08-01-04		A	
ECO#		DESCRIPTION			DATE		REV. LTR.	
PUMP WEIGHT		WET-END MATERIALS						
100 LB		CFRETFE OR PFA						
EDT	04	08	04	CJC	1		IF20519 PART OR DWG. NO.	
DRAWN	DAY	MO.	YR.	RELEASED	SHEET NO.			
				5 Boynton Rd. Hopping Brook Park Holliston, MA 01746 (508) 429-1440 www.IwakiAmerica.com				
TITLE		MDM-1516 (2 HP)			A		REV.	
		Dimensional Drawing						