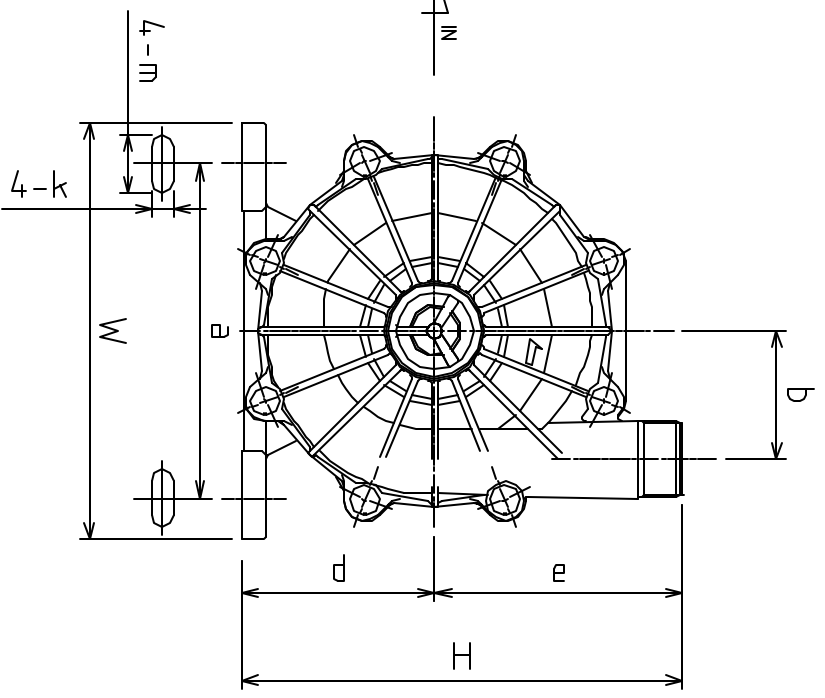
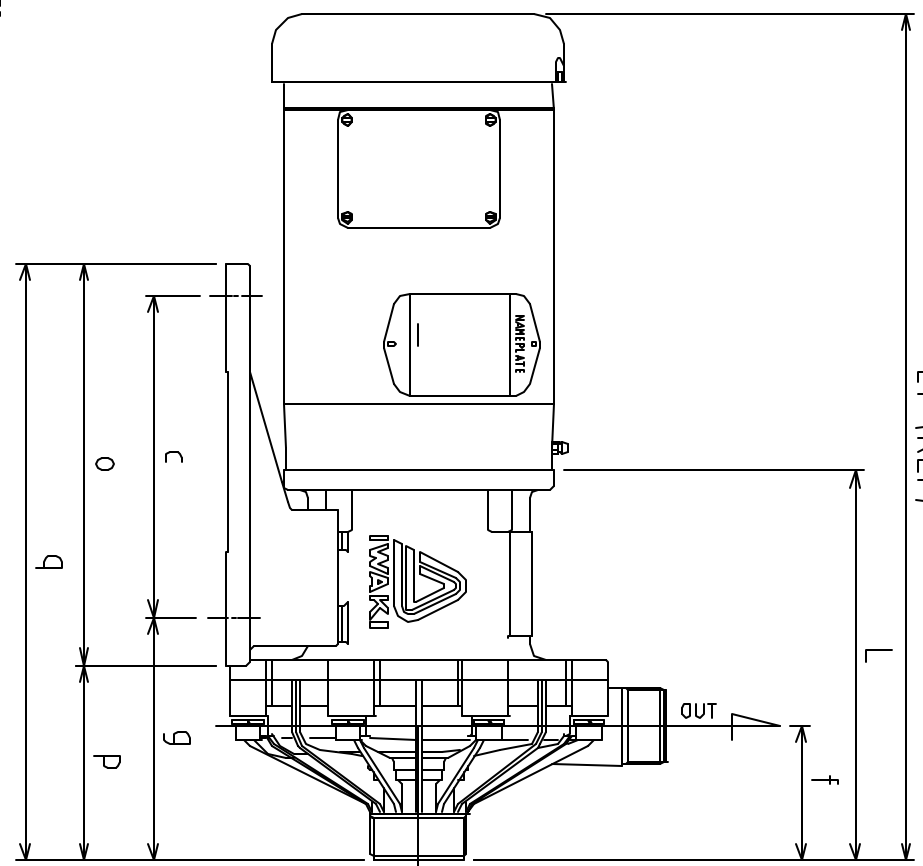


1 2 3 4 5 6 7 8 9 10 11 12 13 14 15 16 17 18 19 20 21 22 23 24 25



- NOTES:**
- 1) SHAPE OF PRODUCT ON DRAWING MAY DIFFER FROM ACTUAL PRODUCT ON SOME POINTS.
 - 2) SOME DIMENSIONS MAY VARY.
 - 3) FLANGES AVAILABLE UPON REQUEST.
 - 4) PUMP DRAWN FROM 228402651.

| MODEL | SUCTION | DISCHARGE |
|---------------|---------|-----------|
| MX-IF1402/3IH | 2" MNPT | 1.5" MNPT |

| MODEL | HP/FRAME | W | H | L | L+ 12 HP1 | L+ 13 HP1 |
|---------------|------------|-------|-------|------|-----------|-----------|
| MX-IF1402/3IH | 2, 3/145TC | 10.24 | 10.78 | 9.53 | 20.71 | 21.59 |

| MODEL | a | b | c | d | e | f | g | h | i | j | k | l | m | n | o | p | q |
|---------------|------|------|------|------|------|------|------|-----|------|------|------|-------|---|---|---|---|---|
| MX-IF1402/3IH | 8.19 | 3.15 | 7.87 | 4.72 | 6.06 | 3.27 | 5.94 | .47 | 1.42 | 9.84 | 4.76 | 14.61 | | | | | |

PART OR DRAWING NO.
IF20501
REV. A

| ECO# | DESCRIPTION | DATE | REV. LTR. |
|------|-------------|------|-----------|
| | | | |

MATERIAL: GFRPP (CFRTEF1)

| CJC | DAY | MO. | YR. | RELEASED | SHEET NO. |
|-----|-----|-----|-----|----------|-----------|
| 15 | 12 | 03 | | | |

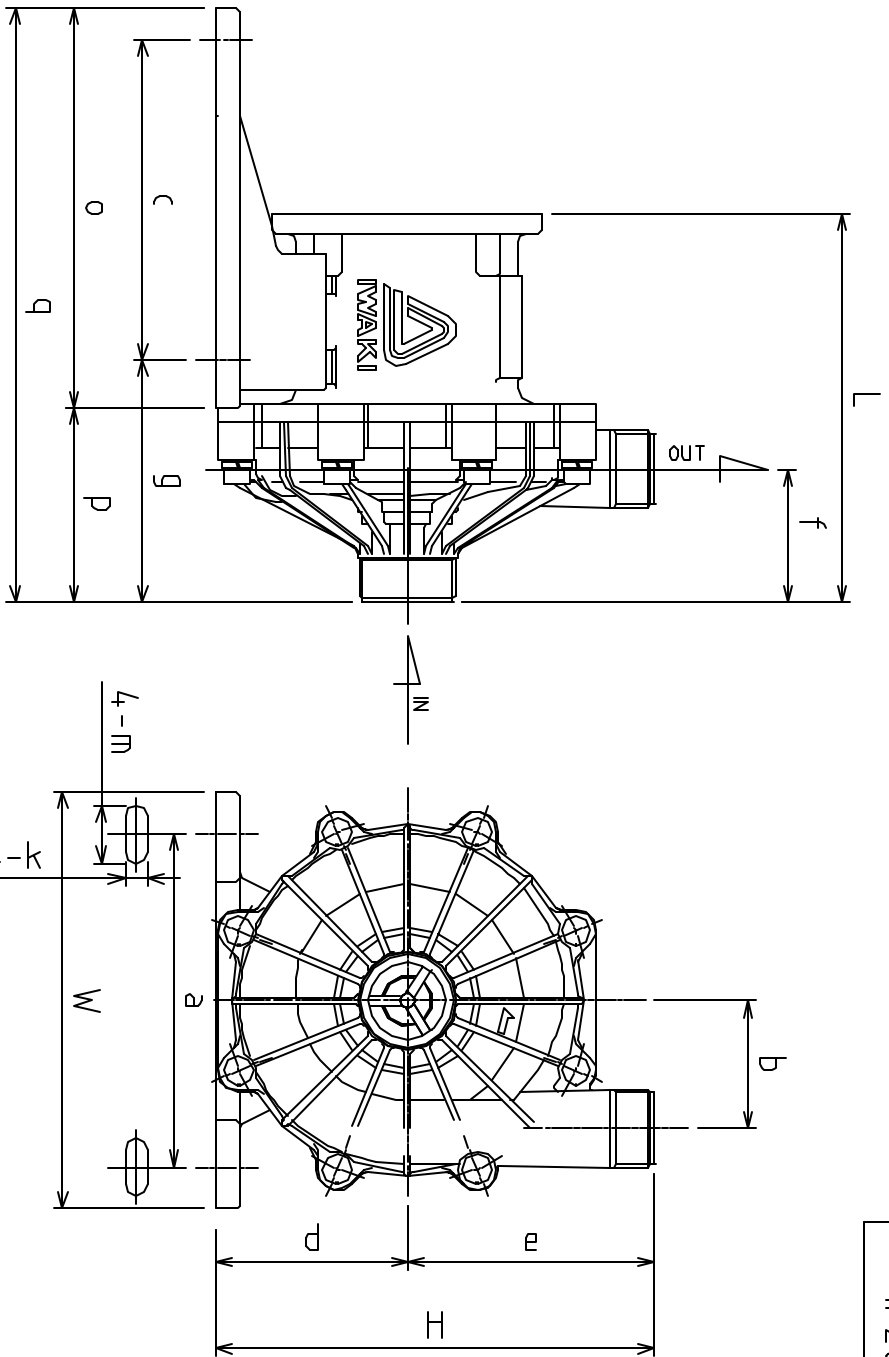
Iwakura Walchem Corp.
6 Boynton Rd.
Hopping Brook Park
Holliston, MA 01748
www.iwakuraWalchem.com (508)429-1440

TITLE: MX-(F)402/3, 1
2, 3 HP / 145TC FRAME

PART OR DWG. NO. MX-(F)402/3, 1
REV. A

PART OR DRAWING NO.
IF20502

REV.
A



- NOTES:**
- 1) SHAPE OF PRODUCT ON DRAWING MAY DIFFER FROM ACTUAL PRODUCT ON SOME POINTS.
 - 2) SOME DIMENSIONS MAY VARY.
 - 3) FLANGES AVAILABLE UPON REQUEST.
 - 4) PUMP DRAWN FROM 228402551.

| MODEL | SUCTION | DISCHARGE |
|---------------|---------|-----------|
| MX-IF1402/3IH | 2" MNPT | 1.5" MNPT |

| MODEL | HP/FRAME | W | H | L |
|---------------|------------|-------|-------|------|
| MX-IF1402/3IH | 2, 3/145TC | 10.24 | 10.78 | 9.53 |

| MODEL | a | b | c | d | e | f | g | k | m | o | p | q |
|---------------|------|------|------|------|------|------|------|-----|------|------|------|-------|
| MX-IF1402/3IH | 8.19 | 3.15 | 7.87 | 4.72 | 6.06 | 3.27 | 5.94 | .47 | 1.42 | 9.84 | 4.76 | 14.61 |

| ECR# | DESCRIPTION | DATE | REV. LTR. |
|------|----------------------------|------|----------------|
| | MATERIAL GRPP ICFRTEFEI | | MX-(F)402/3, 2 |

| JIC | DAY | MO. | YR. | RELEASED | SHEET NO. |
|-----|-----|-----|-----|----------|-----------|
| 15 | 12 | 03 | | | |



Iwaki Walchem Corp.
5 Boynton Rd.
Hopping Brook Park
Holliston, MA 01748
www.IwakiWalchem.com (508)428-1440

| TITLE | REV. |
|---|------|
| MX-(F)402/3, 2 2, 3 HP / 145TC FRAME | A |