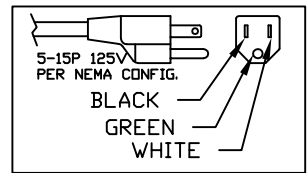
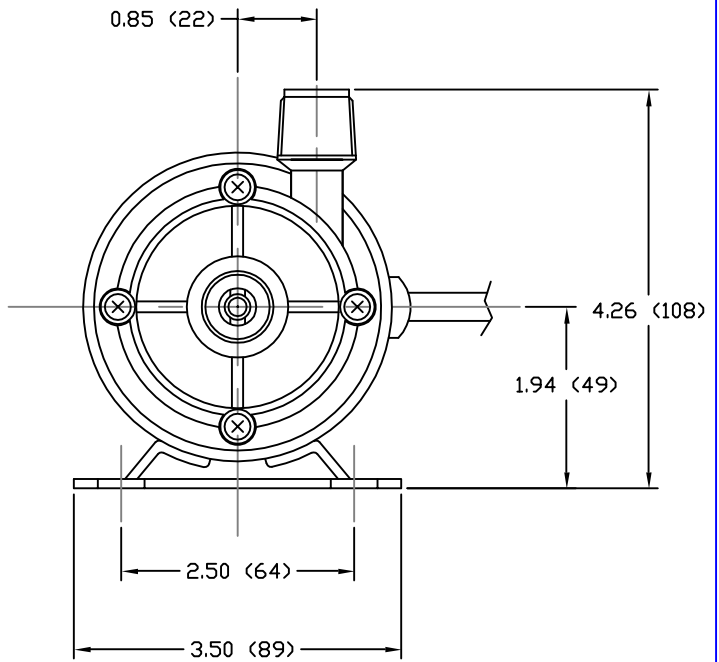
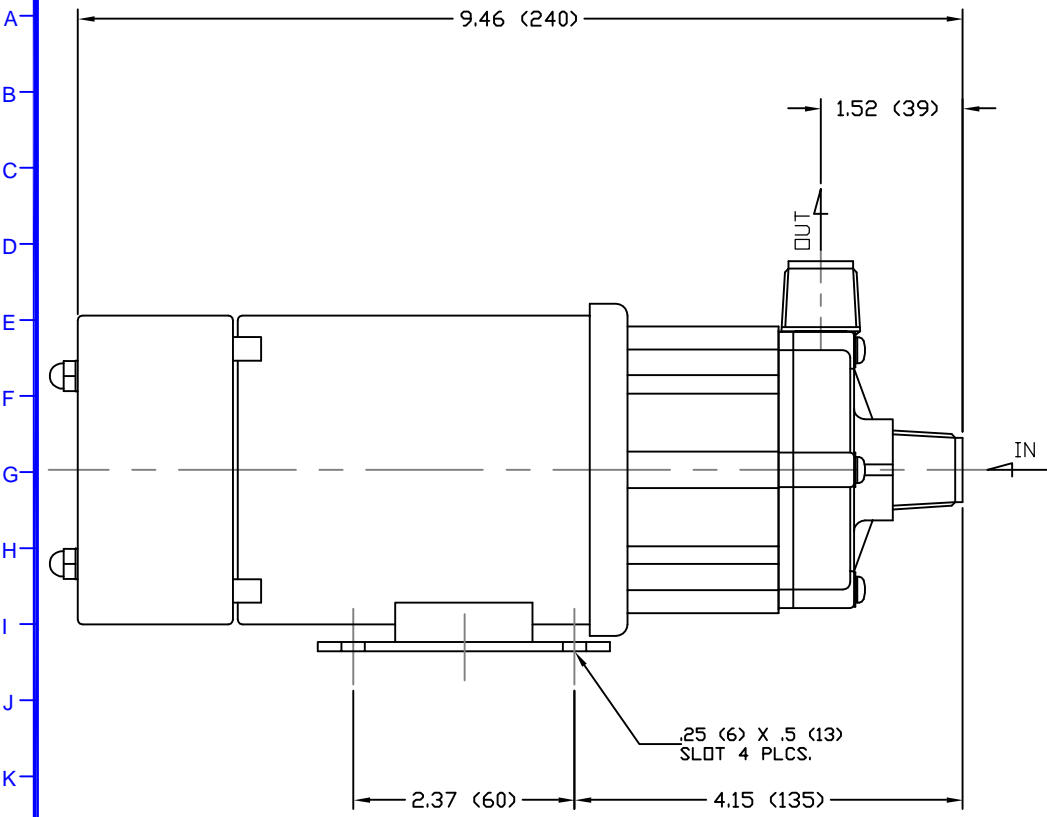


1 2 3 4 5 6 7 8 9 10 11 12 13 14 15 16 17 18 19 20 21 22 23 24 25

PART OR DRAWING NO. IF20596 REV. A



- NOTES:
 1. DRAWING MAY VARY FROM ACTUAL PRODUCT.
 2. DRAWN TO SCALE PER 2Z000400.
 3. REFER TO DRAWING 54206 & 54217.
 4. DIMENSIONS ARE IN INCHES (MM).

SPECIFICATIONS

MAX CAPACITY	5 GPM (18.9 LPM)
MAX HEAD	11.1 FT (3.38 M)
MAWP	7.2 PSI (0.05 MPA)
VOLTAGE	115 VAC
CURRENT	.82 A
CORD LENGTH	72 IN ± 2 IN (1.83 M ± .05 M)
WEIGHT	6 LBS (2.3 KG)
SUCTION	1/2 IN NPT - MALE
DISCHARGE	1/2 IN NPT - MALE

MATERIALS

CASING	GFRPP
IMPELLER	GFRPP
SPINDLE	ALUMINA CERAMIC
BEARING	PTFE
THRUST RING	ALUMINA CERAMIC
O-RING	FKM

ECO#	DESCRIPTION				DATE	REV. LTR.	
MATERIAL SEE CHART							
GJS	04	04	05	XXX	1	PART OR DWG. NO. IF20596	
DRAWN	DAY	MO.	YR.	RELEASED	SHEET NO.		
		5 Boynton Rd. Hopping Brook Park Holliston, MA 01746 (508) 429-1440 www.IwakiAmerica.com					
TITLE				MAG DRIVE PUMP WMD-15RT (115V)			REV. A