

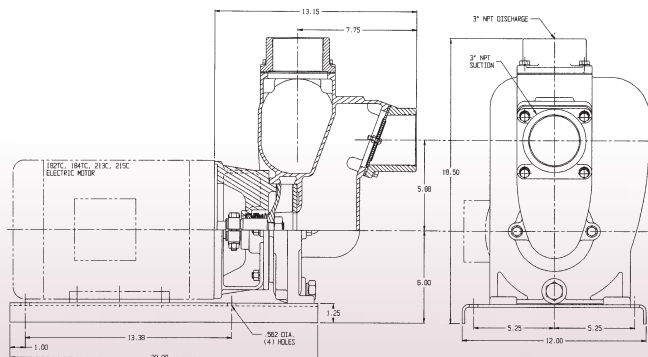
FLOMAX 15

SELF PRIMING CENTRIFUGAL PUMPS

Features & Options

- 3" X 3" SELF PRIMING CENTRIFUGAL PUMP
- CLOSE-COUPLED TO ELECTRIC MOTOR
- OR PUMPAK ONLY TO MOUNT TO STANDARD NEMA "C" FACE MOTOR 5HP, 7.5HP
- FLOWS TO 300 GPM
- PRESSURES TO 125 FEET HEAD
- AVAILABLE IN: CAST IRON, BRONZE OR ALUMINUM CONSTRUCTION
- WITH OR WITHOUT ELECTRIC MOTOR
- IMPELLER—CAST IRON, BRONZE, ALUMINUM OR STAINLESS STEEL
- SHAFT SLEEVE—STAINLESS STEEL
- FASTENERS—ALL STAINLESS STEEL
- SEALS—STANDARD VITON, OPTIONAL SEALS AVAILABLE (CONSULT FACTORY)
- OPTIONS: —ENGINE DRIVES
—PEDESTAL MODELS
—HYDRAULIC DRIVES
—CLUTCHPAKS

DIMENSIONS



Pump Performance Curves

