



## Pipe Size: Inlet 1 1/4", Outlet 1"



Model 107MA-F25 Shown

### FEATURES:

- A Standard in the marine air conditioning industry
- Rugged Cast Bronze Construction
- Precision machined and balanced impeller for extremely quiet operation
- Reliable – minimal maintenance needed
- Discharge port orientation flexibility
- Shaft Seal: Unitized Type 16 Buna Mechanical Carbon-Ceramic faces
- O-ring Housing seal eliminates gasket problems
- Convenient Casing Vent Valve
- Motor Configuration:
  - 1/3 HP 50/60 HZ Single-phase
  - Cap Start TEFC Enclosure
  - 303 Stainless shaft
  - Thermal overload protection
  - Factory wired high voltage
  - 7' Long 18/3 SJO Power Cord with leads
- Drop in replacement for models 67 , 67-3, P120Z , and P700Z

### DRIVE

These single stage end suction close-coupled pumps use standard NEMA C-Flange 56J Pump Motors with rigid base and threaded shaft end to accept the pump impeller.

### LIQUIDS & TEMPERATURES

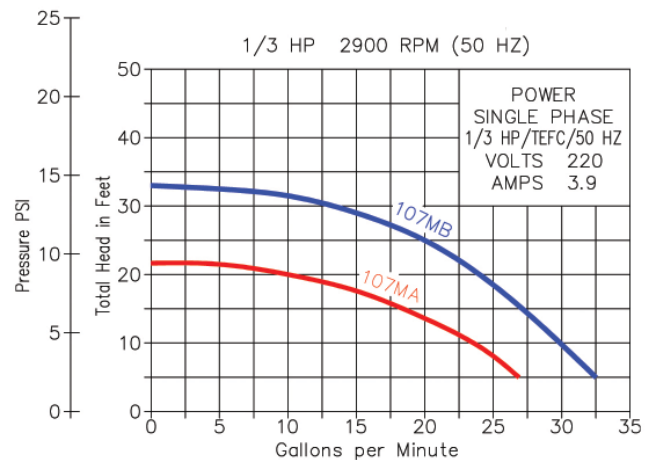
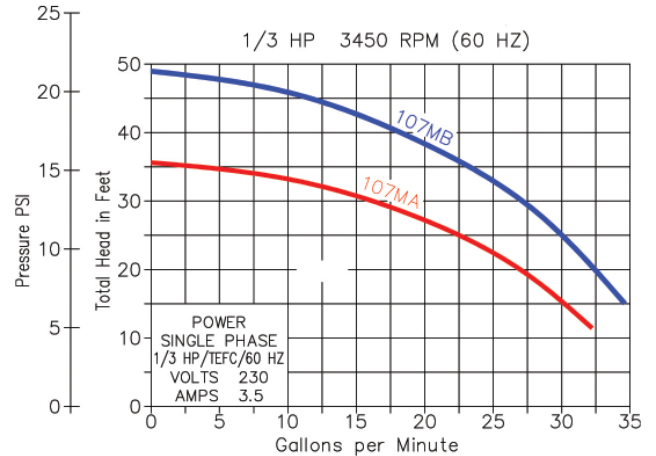
The alloy used provides superior corrosion resistance to sea water . The pumps are equally suitable for non potable fresh water, and aqueous solutions compatible with buna rubber and bronze. Questions as to the chemical compatibility of special liquids should be referred to the factory.

### PERFORMANCE:

CAPACITY WATER AT 70°F

Model 107MA-F25 (3.0 IMP)

Model 107MB-F25 (3.44 IMP)



Liquids contaminated with small solids or abrasives can be handled, but a reduction in mechanical seal life must be expected.

### DRIVE

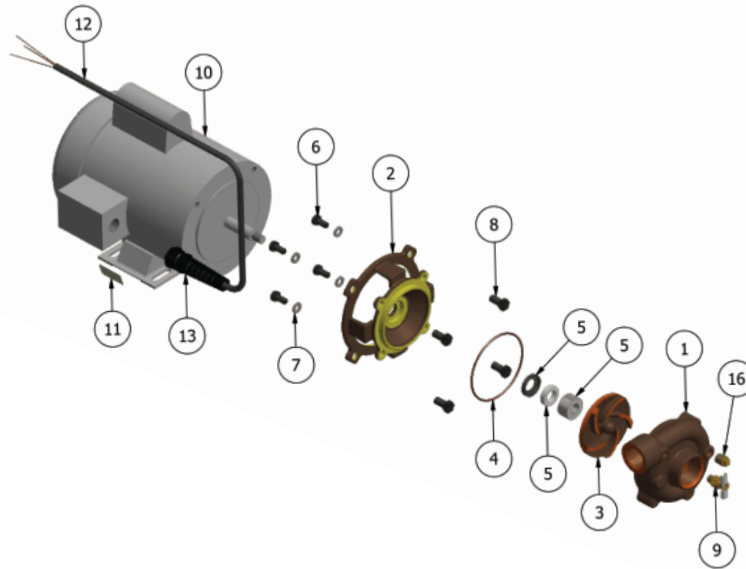
These centrifugal pumps are not self-priming. They must be installed below the liquid level so that the liquid flows to the pump by gravity (flooded suction). However, if a foot valve is used at the beginning of the suction line, and all air is bled from the pump by manual priming, the pump will lift on the suction side up to 15 feet.

Such a system relies entirely on the non-leaking foot valve for starting capability. The flow of a centrifugal pump can be conveniently controlled by a throttling valve in the discharge line without the need for a relief valve. In centrifugal pumps, the horsepower demand will decrease as the pressure increases. Maximum horsepower occurs with a wide open discharge.

# Bronze Close Coupled Centrifugal Seawater Pumps

107M

## Exploded View



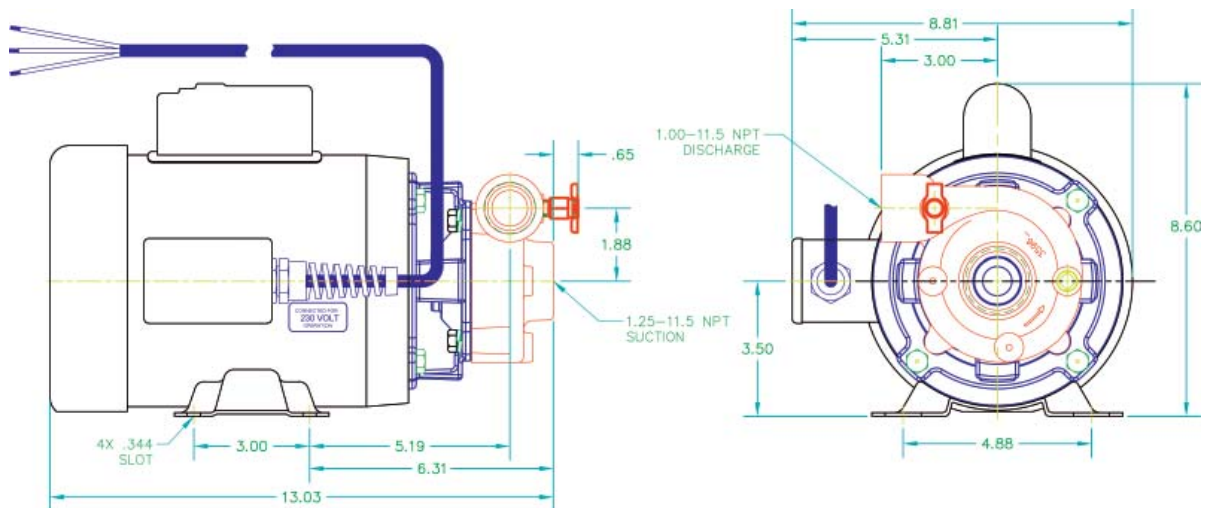
## Parts List

	1	2	3*	4*	5*	6	7	8	9	10
	Body	Adapter	Impeller	O-Ring	Seal Assembly	Screw	Lockwasher	Screw	Drain Cock	Motor
<b>Model</b>	Qty. 1	Qty. 1	Qty. 1	Qty. 1	Qty. 1	Qty. 4	Qty. 4	Qty. 4	Qty. 1	Qty. 1
107MA-F25	3576	3574	3575-1	8232	32008	7637	5598	5411	9159	3595
107MB-F25	3576-1	3574	3575	8232	32008	7637	5598	5411	9159	3595

	11	12	13	14**	15**	16	Repair Kit
	Label	Power Cord	Strain Relief Flex Cord Grip	Tie Wrap	Ring Terminal	Pipe Plug	
<b>Model</b>	Qty. 1	Qty. 1	Qty. 1	Qty. 1	Qty. 1	Qty. 1	
107MA-F25	2904	3593-1	7624	3318	3594	N/A	12451
107MB-F25	2904	3593-1	7450	3318	3594	7043	12457

\* Repair kit contains these items. \*\* Items 14 & 15 are not depicted in the exploded assembly.

## Dimensions



**OBARDORFER PUMPS**

*A Gardner Denver Product*

5900 Firestone Drive, Syracuse, NY 13206

Phone: (800) 448-1668; (315) 437-0361 • Fax: (315) 463-9561

Visit [www.oberdorfer-pumps.com](http://www.oberdorfer-pumps.com) to find in-depth descriptions of the world's leading high-quality, dependable pumps.

Due to ongoing product improvements, data shown here is subject to change without notice. Contact Oberdorfer Pumps for latest specifications.

107M.02192014