

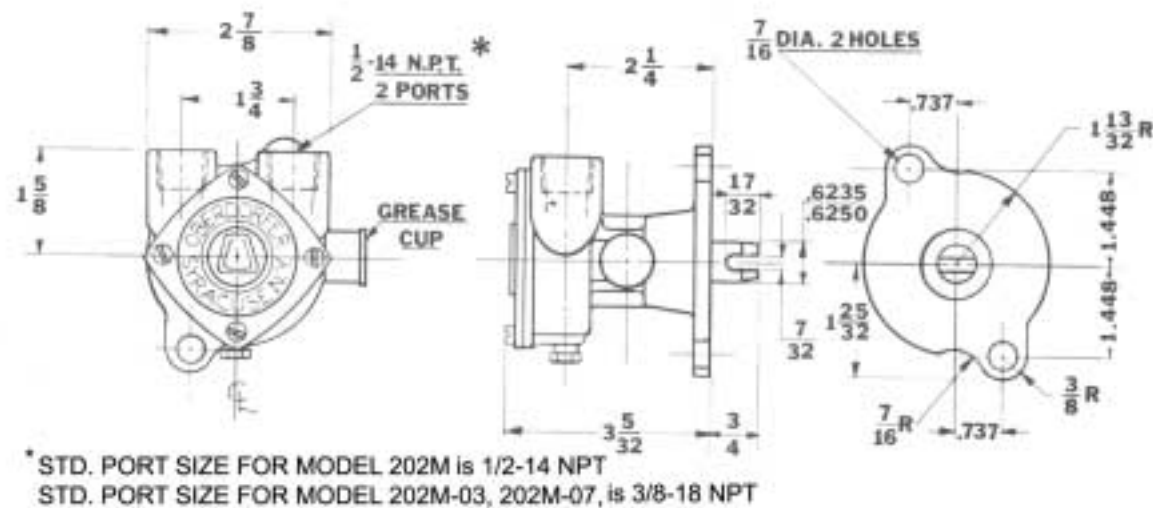
MODEL
202M
202M-03
202M-07
202M-15
202M-16

BRONZE RUBBER IMPELLER PUMP

ENGINE MOUNT

 **OBERDORFER PUMPS**
A Subsidiary of Thomas Industries Inc.

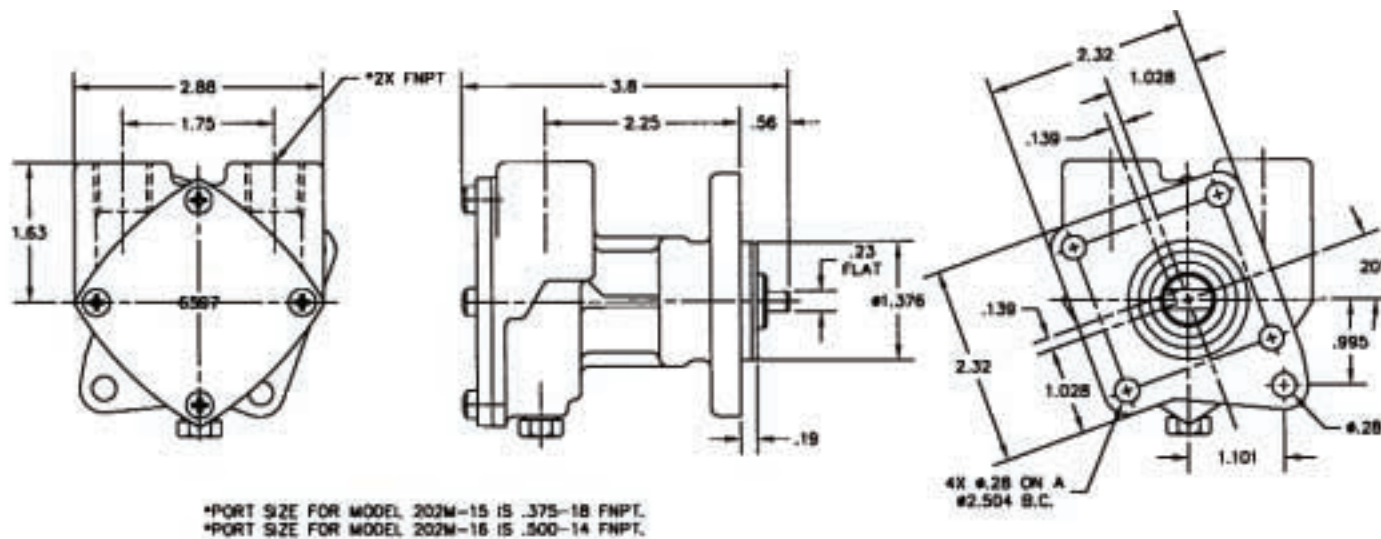
202M, 202M-03, 202M-07 DIMENSIONS



ROTATIONAL



202M-15, 202M-16 DIMENSIONS



BRONZE RUBBER IMPELLER PUMP

ENGINE MOUNT

 **OBERDORFER PUMPS**
A Subsidiary of Thomas Industries Inc.

MODEL
202M
202M-03
202M-07
202M-15
202M-16

RUBBER IMPELLER PUMP 202M /202M-03/202M-07



FEATURES

- Rugged simplicity
- Corrosion Resistant
- Drain plug
- 2 bolt flange mounting
- Slotted shaft drive or male tang drive
- 2 separate seals: main pump and flange mounting
- "Up" direction in & out ports
- Large vent & drain openings
- High chrome nickel stainless steel shaft
- Impeller & cam easily replaced

ROTATION

Direction of shaft rotation determines inlet and outlet ports (see line dimension drawing). Prior to installation, rotate the pump manually in direction of rotation to set flexible blades in direction desired.

DO NOT RUN DRY

Rubber impellers generate high rubbing friction unless lubricated by liquid pumped. Lack of liquid will cause impeller to burn up.

RUBBER IMPELLER PUMP 202M-15/202M-16



PERFORMANCE

WATER AT 60°F

PUMP	RPM	FT. HD	0	10	20	30	40	50	60
			PSI	0	4.3	8.7	13	17.3	21.7
202M 202M-07 202M-15 202M-16	1750	GPM	6 1/2	6 1/4	6	5 1/2	4 3/4	4	2 3/4
		HP	1/3	1/3	1/3	1/3	1/3	1/3	1/3
	2500	GPM	9 1/2	9 1/4	9	8 1/4	7 1/2	6 1/2	5 1/4
		HP	1/2	1/2	1/2	1/2	1/2	1/2	1/2
202M-03	1750	GPM	12 1/2	12 1/4	11 1/2	11	10	9	8
		HP	3/4	3/4	3/4	3/4	3/4	3/4	3/4
	2500	GPM	3 3/4	3 1/4	2 1/2	2	1	-	-
		HP	1/3	1/3	1/3	1/3	1/3	-	-
3500	GPM	6 1/2	6	5 1/2	4 1/2	3 1/2	2	1 1/4	
	HP	1/2	1/2	1/2	1/2	1/2	1/2	1/2	

RPM= REVOLUTIONS PER MINUTE
GPM= GALLONS PER MINUTE
PSI= LBS. PER SQUARE INCH PRESSURE
FT. HD.= FEET HEAD PRESSURE

BRONZE RUBBER IMPELLER PUMP

ENGINE MOUNT

MODEL 202M 202M-03 202M-07 202M-15 202M-16

DESIGN SPECS

Model	Ports	Cam	Flange	Shaft	Designed for	Universal #
202M	1/2 -14 FNPT	full	2 bolt	5/8" with 7/32" slot		
202M-03	3/8 -18 FNPT	half	2 bolt	5/8" with 7/32" slot	Universal Atomic-4 Series Gas and Diesel Marine Engine	299805
202M-07	3/8 -18 FNPT	full	2 bolt	5/8" with 7/32" slot	Universal Atomic-4 Series Gas and Diesel Marine Engine	299805
202M-15	3/8 -18 FNPT	full	5 bolt with male pilot	male tang	Universal Series with Kubota Diesel	301357
202M-16	1/2 -14 FNPT	full	5 bolt with male pilot	male tang		

UNIVERSAL ENGINE DATA

Pump	Universal Model	Horsepower	Cylinders	Block Model
202M-03	Atomic 4			
202M-07	M-15	11	2	Z-500
202M-15	M-12	10	2	Z-400
202M-15	M-18	14	2	Z-600
202M-15	M-25XP	23	3	D-950
202M-15	M-30	24	3	D-1101
202M-15	M-30	24	3	D-1102
202M-15	M-50	44	2	V-1902

KU BOTA ENGINE DATA

Pump	Ku bota Model	Horsepower	Cylinders	Displacement
202M-16	Z482E	13.5	2	479 cc
202M-16	D722E	20.5	3	719 cc
202M-16	V1903E	42	4	1857 cc
202M-16	V2203E	49.5	4	2197 cc

LIQUIDS AND TEMPERATURE

Liquids compatible with neoprene can be pumped including fresh and salt water solutions and mild chemicals. Do not pump gasoline, severe solvents or acids. When possible flush pump with fresh water after each usage.

Buna (Nitrile) impellers can handle oil contaminated water and kerosene at reduced impeller service life.

Extremes of cold and heat will affect impeller life. Limits of 40°F to 140°F should be observed. Do not allow liquid in pump to freeze. Drain pump by removing drain plug provided. Located at bottom of pump body. Use methyl alcohol based anti-freeze compounds.

SUCTION LIFT

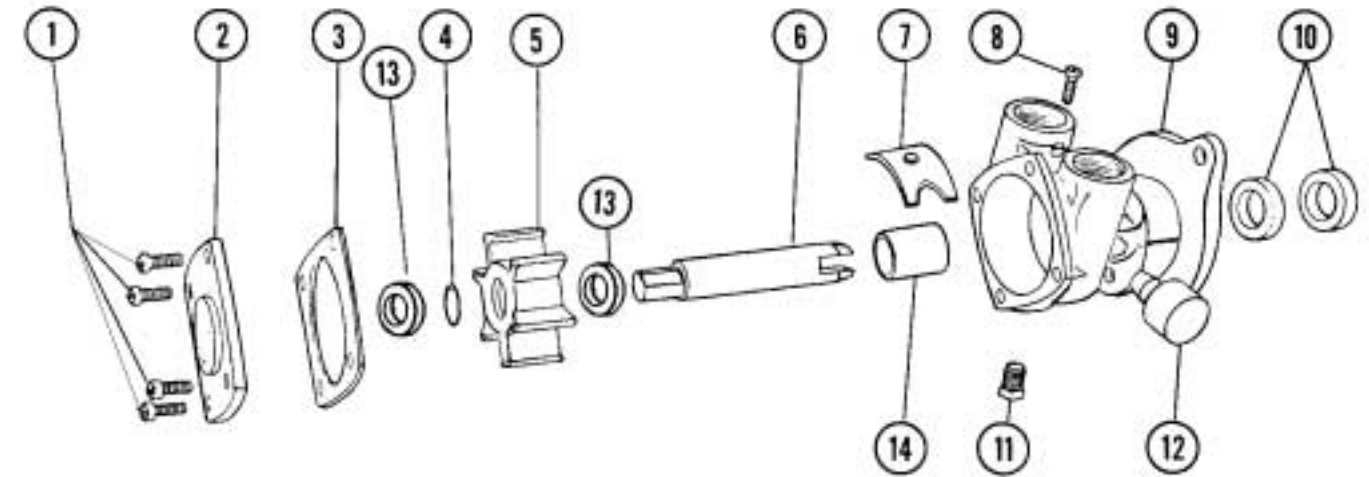
On initial start-up pump must be primed to prevent dry-running of the impeller. Suction lift of 15 ft. is possible when impeller is wet and pump fully primed. Suction lines must be air tight in order for pump to self prime.

BRONZE RUBBER IMPELLER PUMP

ENGINE MOUNT

MODEL 202M 202M-03 202M-07 202M-15 202M-16

EXPLODED VIEW AND PARTS LIST



Model	Item	1	2	3	4	5	6	7	8	9	10	11	12	13	14	Repair Kit ⁴
	Name	Screw	Cover	Gasket	Snap Ring	Impeller ¹	Shaft	Cam	Cam Screw	Body	Lip Seal ²	Plug	Grease Cup ³	Washer	Carbon Bearing	
	Required	4	1	1	1	1	1	1	1	1	2	1	1	2	1	
202M		5385	6597	6599	5373	6593	6598	6592	7300-81	6595	5463	6600	5910			10725
202M-03		5385	6597	6599	5373	6593	6598	6891	7300-71	6892	5463	6600	5910			10725
202M-07		5385	6597	6599	5373	6593	6598	6592	7300-81	6892	5463	6600	5910			10725
202M-15		5385	6597	6599	5373	6593	8767	6592	7300-81	32618	5463	6600		9647	5091	11691
202M-16		5385	6597	6599	5373	6593	8767	6592	7300-81	32943	5463	6600		9647	5091	11691

Notes:

- 1 Neoprene impeller is standard, optional Buna impeller (8514) available
- 2 Brass case, buna elastomer
- 3 Pumps equipped with pre-filled grease cups from the factory, 202M, 202M-03, 202M-07
- 4 Kits contain items 3,4,5,10 and (when applicable) 14