

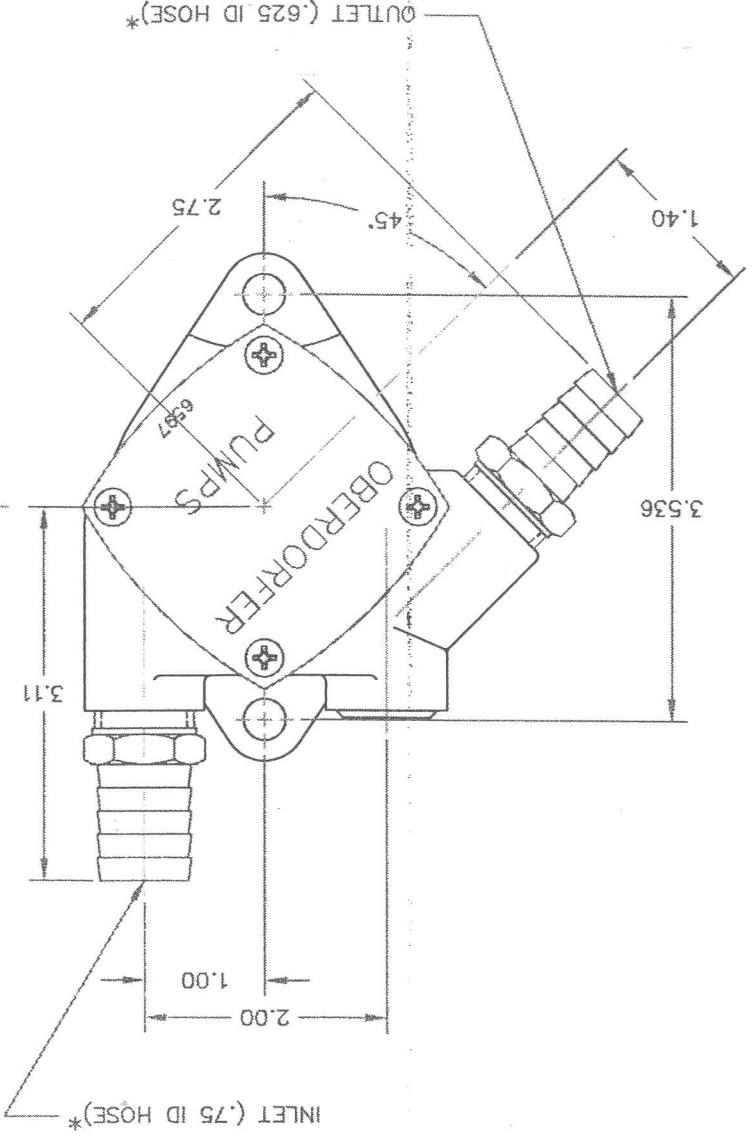
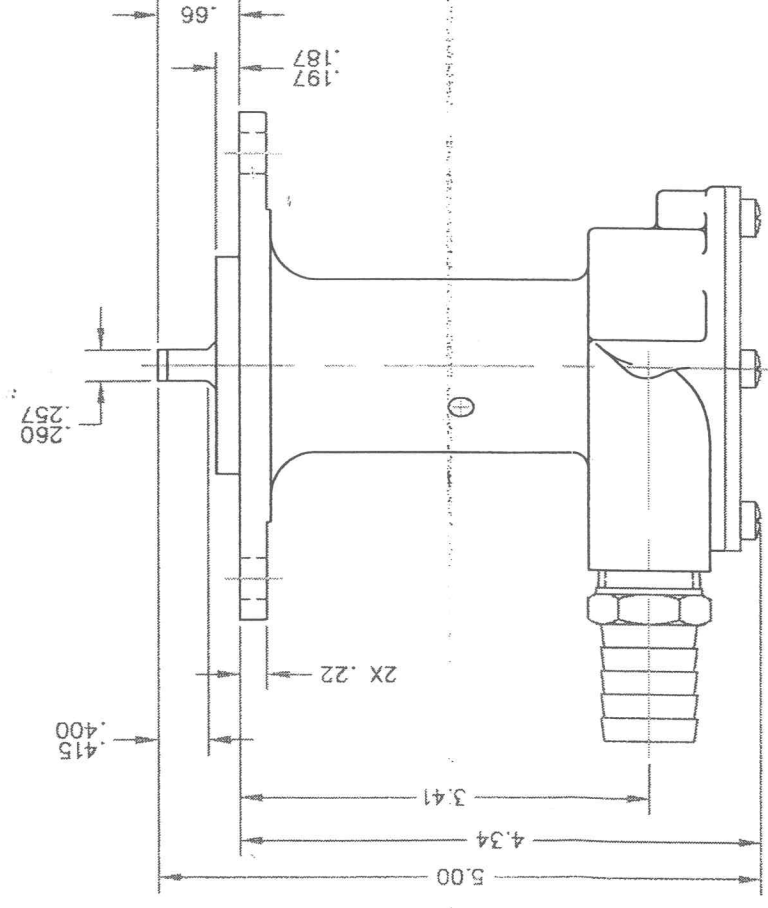
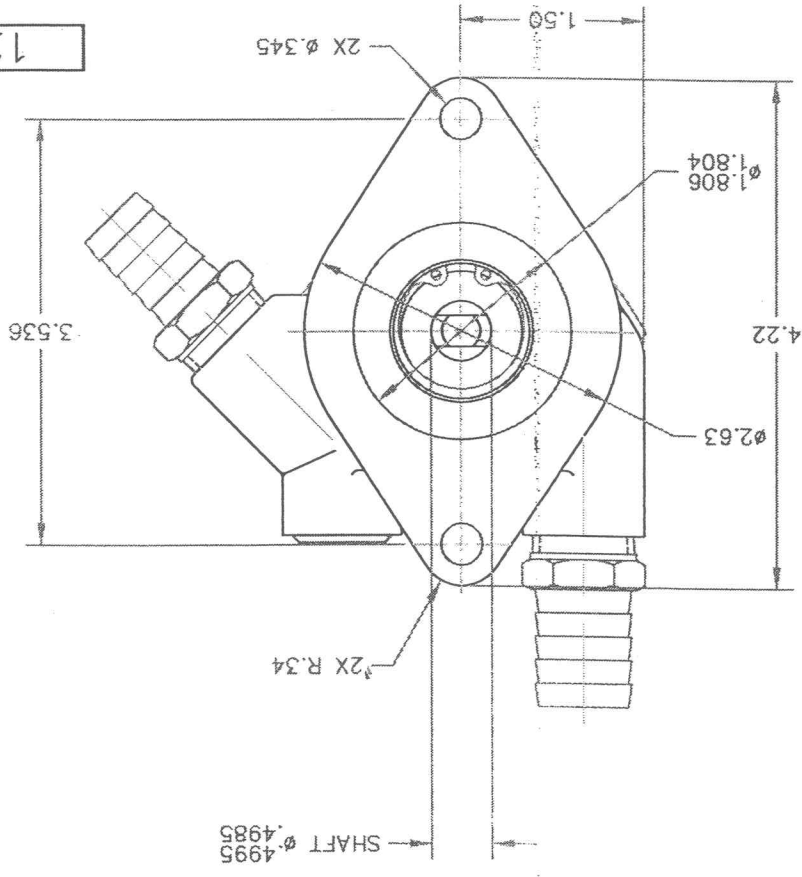
PART NAME: DIMENSIONAL OUTLINE (202M-17P)
 SCALE: 1:1
 SIZE: C
 DRAWING NO.: 12030
 REVISION: C

THIS DRAWING AND THE INFORMATION THEREON ARE CONFIDENTIAL AND PROPRIETARY, AND SHALL NOT BE REPRODUCED, DISCLOSED OR USED FOR MANUFACTURE, BY ANY PERSON OR ENTITY, WITHOUT THE PRIOR WRITTEN CONSENT OF THOMAS-OBERDORFER PUMPS, INC. SYRACUSE, NEW YORK, U.S.A. 13221-4770

OBERDORFER PUMPS
 A SUBSIDIARY OF THOMAS INDUSTRIES INC.
 SYRACUSE, NEW YORK, U.S.A. 13221-4770

SHEET 1 OF 1

12030



*CUSTOMER'S BARBED HOSE FITTINGS (NOT INSTALLED BY OBERDORFER)

