

# BRONZE SELF-PRIMING CENTRIFUGAL PUMP

PIPE SIZE 1"



**BRONZE**

| Pump No. | Material  |
|----------|---|
| 300B     | Bronze with stainless steel shaft, Single Phase |
| 300B-01  | Bronze with Monel shaft, Single Phase           |

## FEATURES

- Self-Priming to 20 Feet Suction Lift
- Rugged Bronze Construction
- Ideal for marine service (air conditioning, bilge, and sea water recirculating).
- O-Ring Housing seal eliminates gasket problems
- Auxiliary Connections - for convenient priming and draining
- Multiple Mechanical Shaft Seal Options -for various applications
- Pump Heads mount to Standard Footed Nema 56J Jet Pump Motors
  - Shafts : 416 Stainless, Monel, or 316 Passivated Stainless
  - Multiple motor options including Explosion Proof
- For Pedestal Style, see 30PB
- Optional Lifting Handle

Up to 22 gallons per minute water flow and suction lift of 15 feet without a foot or check valve (25 foot suction lift using a foot or check valve and a filled inlet line). A 1/2" pipe plug on the tank top is for initial filling of priming chamber and inlet line--pump priming is automatic thereafter. Pump seal is mechanical carbon face type mated to ceramic wear face for maximum durability. Other seal components are made of Buna N with low swell characteristics for compatibility with a wide range of liquids including many chemicals and solvents. These pump models are widely used for the pumping of Perchloroethylene. **Must be operated in the horizontal position. (As shown in picture)**

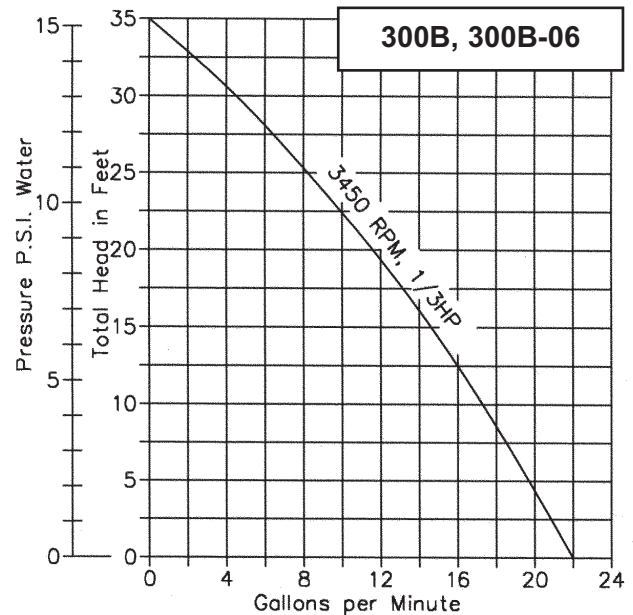
## SEAL OPTIONS

Note: Seal and shaft modifications below are not physically interchangeable. See parts table (rear).

**Viton® A Solvent Mechanical Seal:** Mechanical seal for oils, fuels, lubricants, most mineral acids, and many solvents that attack other rubbers such as Carbon Tetrachloride, toluene, benzene, and xylene.

**Teflon® Mechanical Seal:** For virtually all industrial chemicals, corrosives and solvents - as limited by compatibility of basic pump metal of construction.

CAPACITY - Water 60° F - Gallons Per Minute at zero lift



Capacity - Water 60° F - Gallons Per Minute  
Maximum lift without foot valve is 10 feet.

| Discharge Pressure Feet | Equivalent P.S.I. | 300 RPM Suction Lift |       |        |        |        |
|-------------------------|-------------------|----------------------|-------|--------|--------|--------|
|                         |                   | 0 Ft.                | 5 Ft. | 10 Ft. | 15 Ft. | 20 Ft. |
| 0                       | 0                 | 22                   | 20    | 17     | 14     | 10     |
| 5                       | 2.2               | 20                   | 17    | 14     | 10     | 5      |
| 10                      | 4.3               | 17                   | 14    | 10     | 5      | ---    |
| 15                      | 6.5               | 14                   | 10    | 5      | ---    | ---    |
| 20                      | 8.7               | 10                   | 5     | ---    | ---    | ---    |
| 25                      | 10.8              | 5                    | ---   | ---    | ---    | ---    |
| 30                      | 13.0              | 3                    | ---   | ---    | ---    | ---    |
| 35                      | 15.2              | 1                    | ---   | ---    | ---    | ---    |

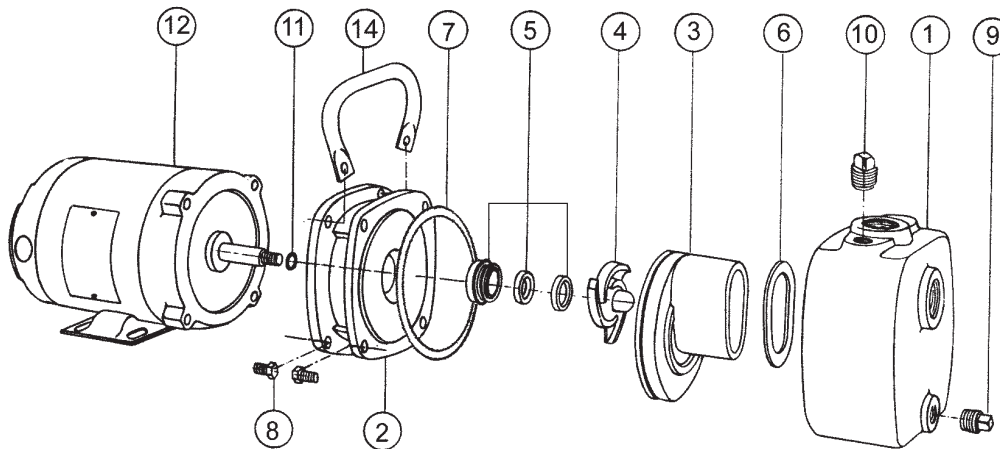
| Pump Head | Style      | Materials       |                   |           |                 |           | Typical Applications                                 |
|-----------|------------|-----------------|-------------------|-----------|-----------------|-----------|--|
|           |            | Head            |                   |           | Seat            |           |  |
|           | Type       | Face            | Case              | Elastomer | Face            | Elastomer |  |
| 300B-06   | 16 or 2100 | Silicon Carbide | Passivated 316 SS | BUNA      | Silicon Carbide | BUNA      | Ocean water with fine abrasives                      |
| 300B      | 6A         | Carbon          | Passivated 316 SS | BUNA      | Ceramic         | BUNA      | Non-Potable fresh water, salt water, ethylene glycol |
| 300B S10  | 6A         | Carbon          | 18-8 SS           | VITON     | Ceramic         | VITON     | Solvents *   |
| 300B S11  | 9A         | Carbon          | 18-8 SS           | TEFLON    | Ceramic         | VITON     | Industrial chemicals *                               |

Notes: \* Fluids compatibly suitable for use with Bronze

\* Viton® is a trademark of DuPont Dow Elastomers. Viton® or equivalent FKM will be used.  
Teflon® is a trademark of DuPont. Teflon or equivalent PTFE will be used.

# BRONZE SELF-PRIMING CENTRIFUGAL PUMP

## PARTS LIST AND EXPLODED VIEW



Item #13 - Impeller set screw for 3 phase motors only, is not shown.

|          | 1      | 2       | 3        | 4*       | 5*        | 6*             | 7*        | 8      | 9      | 10     | 11*    | 12     | 13*       | 14*    | Repair Kit* |
|----------|--------|---------|----------|----------|-----------|----------------|-----------|--------|--------|--------|--------|--------|-----------|--------|-------------|
|          | Body   | Adapter | Diffuser | Impeller | Seal Assy | Gasket-Difuser | O-ring    | Screw  | Plug   | Plug   | Shim   | Motor  | Screw Set | Handle |             |
|          | 1 Reqd | 1 Reqd  | 1 Reqd   | 1 Reqd   | 1 Reqd    | 1 Reqd         | 1 Reqd    | 8 Reqd | 1 Reqd | 1 Reqd | 1 Reqd | 1 Reqd | 1 Reqd    | 1 Reqd |             |
| 300B     | 7190   | 7191    | 7192     | 7191     | 32155     | 6021-09        | 9797-157  | 5411   | 7321S  | 7443S  | 6025   | ---    | ---       | ---    | 10865       |
| 300B-06  | 7190   | 7191-1  | 7192     | 7193-1   | 33226     | 6021-09        | 9797-157  | 5411   | 7321S  | 7443S  | 6025   | ---    | ---       | ---    | 10867       |
| 300BP    | 7190   | 7191    | 7192     | 7200     | 32155     | 6121-09        | 9797-157  | 5411   | 7321S  | 7443S  | 6025   | ---    | 9849      | ---    | 10866       |
| 300B S10 | 7190   | 7191    | 7192     | 7193     | 32210     | 2271           | 9797-157  | 5411   | 7321S  | 7443S  | 6025   | ---    | ---       | ---    | 11290       |
| 300B S11 | 7190   | 7314    | 7192     | 7193     | 32211     | 2271           | 9355-157S | 5411   | 7321S  | 7443S  | 6025   | ---    | ---       | ---    | 11604       |

\* Repair Kit includes these items (and 6022 body gasket for older models)  
\*\* Optional handle (part# 7766)

## PUMP & MOTOR OPTIONS

These are the most frequently used pump and motor combinations. if you have other needs, our sales reps can recommend a pump and motor for your application.

| Pu p No.   | P   | SF   | Enclosure | Phase  | Volta e       | Shaft Construction | Motor Ite 1 |
|------------|-----|------|-----------|--------|---------------|--------------------|-------------|
| 300B-F13   | 1/3 | 1.75 | ODP       | single | 115           | 416                | 5859        |
| 300B-01F26 | 1/3 | 1.75 | ODP       | single | 115 / 230     | monel              | 32273       |
| 300B-F17   | 1/3 | 1.75 | ODP       | single | 115 / 230     | 316 passivated     | 3032        |
| 300B-F21   | 1/3 | 1.75 | P         | single | 115 / 230     | 416                | 8214        |
| 300BP01F65 | 1/3 | 1.75 | ODP       | three  | 208 230 / 460 | monel              | 32355       |
| 300BP-F57  | 1/3 | 1.75 | ODP       | three  | 208 230 / 460 | 416                | 6996        |

| Pu p No.   | P   | SF   | Enclosure | Phase  | Volta e   | Shaft Construction | Motor Ite 1 |
|------------|-----|------|-----------|--------|-----------|--------------------|-------------|
| 300P-J57   | 1/2 | 1.60 | ODP       | three  | 230 / 460 | 416                | 6998        |
| 300B-J20   | 1/2 | 1.65 | TEFC      | single | 115 / 230 | 416                | 7976        |
| 300-J20    | 1/2 | 1.65 | TEFC      | single | 115 / 230 | 416                | 7976        |
| 300B-01J26 | 1/2 | 1.65 | ODP       | single | 115 / 230 | monel              | 32332       |
| 300B-J24   | 1/2 | 1.65 | ODP       | single | 115 / 230 | 316 passivated     | 3031        |
| 300B-J89   | 1/2 | 1.00 | TENV      | DC     | 12V       | 416                | 2386        |
| 300BP-M58  | 3/4 | 1.15 | TEFC      | three  | 230 / 460 | 416                | 7967        |

## DIMENSIONS

