

BRONZE BASE MOUNTED SELF-PRIMING CENTRIFUGAL PUMP

PIPE SIZE 1 1/2 NPT



Close Coupled to Electric Motor

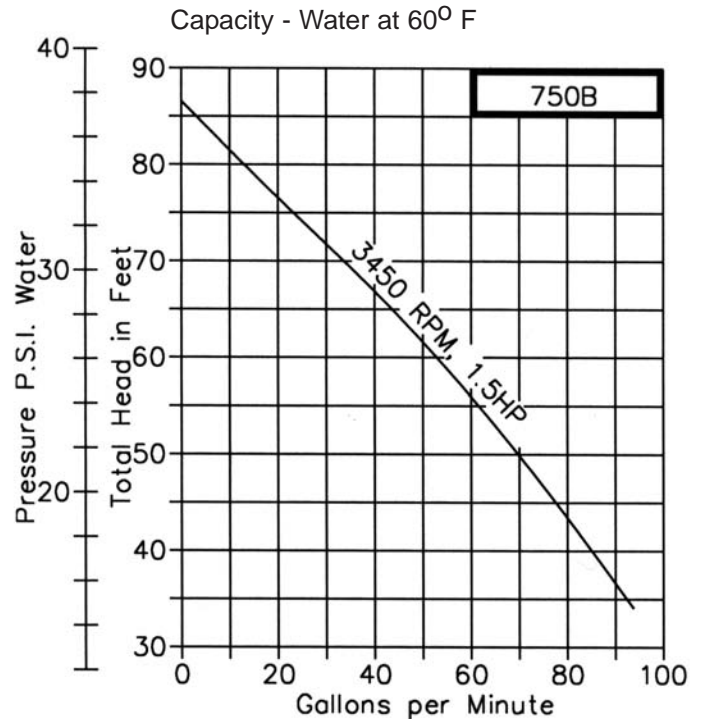
| Pump No. | Electric Motor |
|-----------|---|
| 750B | Pump Only - for Single Phase Motor |
| 750B-T19 | 1 1/2 H.P., 3450 R.P.M. 115/230 V. Single Phase |
| 750BP | Pump Only - for Polyphase Motor |
| 750BP-T57 | 1 1/2 H.P., 3450 R.P.M. 220/440 V. Polyphase |

FEATURES

- All Bronze Construction
- Self-Priming to 20 Ft. Suction Lift
- Seal Options Available for Solvents and Mild Chemicals
- Pump Heads can be Field Mounted to Standard Nema C Jet Pump Motor with Threaded Shaft
- Base May be Mounted to Motors with Weld-On Feet
- Available with K-Monel Shaft for Marine Applications

GENERAL DESCRIPTION

This pump must be operated with the shaft in a horizontal position as shown in the position as shown in the picture. Before initial start-up, the pump must be filled with liquid through the priming plug opening on top



Capacity Gallons Per Minute (Water)
at Various Suction Lifts (3450 RPM)

| Discharge Pressure | Suction Lift | | | | | |
|--------------------|--------------|-------|--------|--------|--------|--------|
| | 0 Ft. | 5 Ft. | 10 Ft. | 15 Ft. | 20 Ft. | 25 Ft. |
| 30 | 13.0 | 9.4 | 9.2 | 8.0 | 8.0 | 7.2 |
| 40 | 17.3 | 9.6 | 7.9 | 7.2 | 6.3 | 5.3 |
| 50 | 21.7 | 7.1 | 6.3 | 5.6 | 4.6 | 3.6 |
| 60 | 26.0 | 5.4 | 4.5 | 3.6 | 2.6 | 1.6 |
| 70 | 30.3 | 3.5 | 2.5 | 1.5 | 0 | --- |
| 80 | 34.6 | 1.6 | 0.5 | --- | --- | --- |

of the pump body. It will be self-priming thereafter, even without a foot valve in the suction line. However, a foot valve is always recommended to insure immediate liquid flow at start-up.

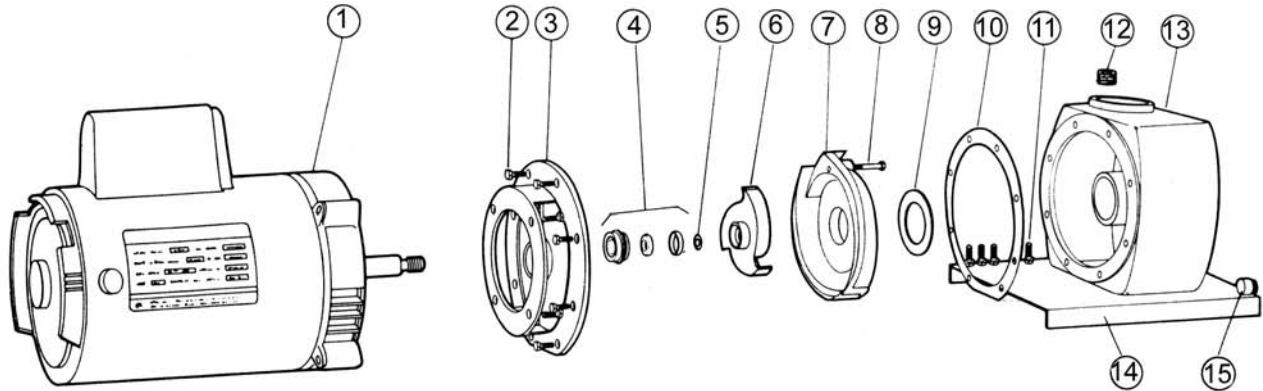
Pumps with polyphase motors must be checked for proper shaft rotation at the time of installation. Rotation must correspond with directional arrow on pump body.

The standard mechanical shaft seal has a Buna rubber element. Viton(R)* and Chemlon (Teflon(R)*) seals are available to handle strong solvents and chemicals.

*Viton(R) is a registered trademark of DuPont Dow Elastomers. Viton(R) or equivalent FKM will be used.
Teflon(R)* is a registered trademark of DuPont. Teflon(R) or equivalent PTFE will be used.

BRONZE BASE MOUNTED SELF-PRIMING CENTRIFUGAL PUMP

PARTS LIST AND EXPLODED VIEW



| Pump No. | 1 | 2 | 3 | 4A ² | 4B ² | 4C ² | 5 | 6 | 7 | 8 | 9 | 10 | 11 | 12 | 13 | 14 | 15 | 16 ¹ | 17 ¹ | 18 ¹ | * |
|-----------|--------|---------|---------|-----------------|-----------------|-----------------|--------|----------|----------|--------|-----------------|---------------|--------|--------|--------|--------|--------|-----------------|-----------------|-----------------|------------|
| | Motor | Screw | Adapter | Seal Head | Wear Face | Seal Seat | Shim | Impeller | Diffuser | Screw | Gasket Diffuser | Gasket Flange | Screw | Plug | Body | Base | Plug | Set Screw | Hex Nut | Washer | Repair Kit |
| | 1 Reqd | 12 Reqd | 1 Reqd | 1 Reqd | 1 Reqd | 1 Reqd | 1 Reqd | 1 Reqd | 1 Reqd | 2 Reqd | 1 Reqd | 1 Reqd | 4 Reqd | 1 Reqd | 1 Reqd | 1 Reqd | 1 Reqd | 1 Reqd | 4 Reqd | 4 Reqd | |
| 750B | --- | 5411 | 7926 | 5377 | 6018 | 6020 | 6025 | 7927 | 7928 | 7796 | 7798 | 7797 | 7637 | 7934 | 7929 | 6742 | 7321 | --- | --- | --- | 11145 |
| 750B-T19 | 5862 | 5411 | 7926 | 5377 | 6018 | 6020 | 6025 | 7927 | 7928 | 7796 | 7798 | 7797 | 7637 | 7934 | 7929 | 6742 | 7321 | --- | 5597 | 5915 | 11145 |
| 750BP | --- | 5411 | 7926 | 5377 | 6018 | 6020 | 6025 | 7932 | 7928 | 7796 | 7798 | 7797 | 7637 | 7934 | 7929 | 6742 | 7321 | 9849 | --- | --- | 11147 |
| 750BP-T57 | 7167 | 5411 | 7926 | 5377 | 6018 | 6020 | 6025 | 7932 | 7928 | 7796 | 7798 | 7797 | 7637 | 7934 | 7929 | 6742 | 7321 | 9849 | 5597 | 5915 | 11147 |

* Repair Kits include items 4A, 4B, 4C, 6, 9 & 10.

² Items 4A, 4B, & 4C available as assembly p/n 32155.

¹ Items 16, 17 & 18 not shown.

DIMENSIONS

