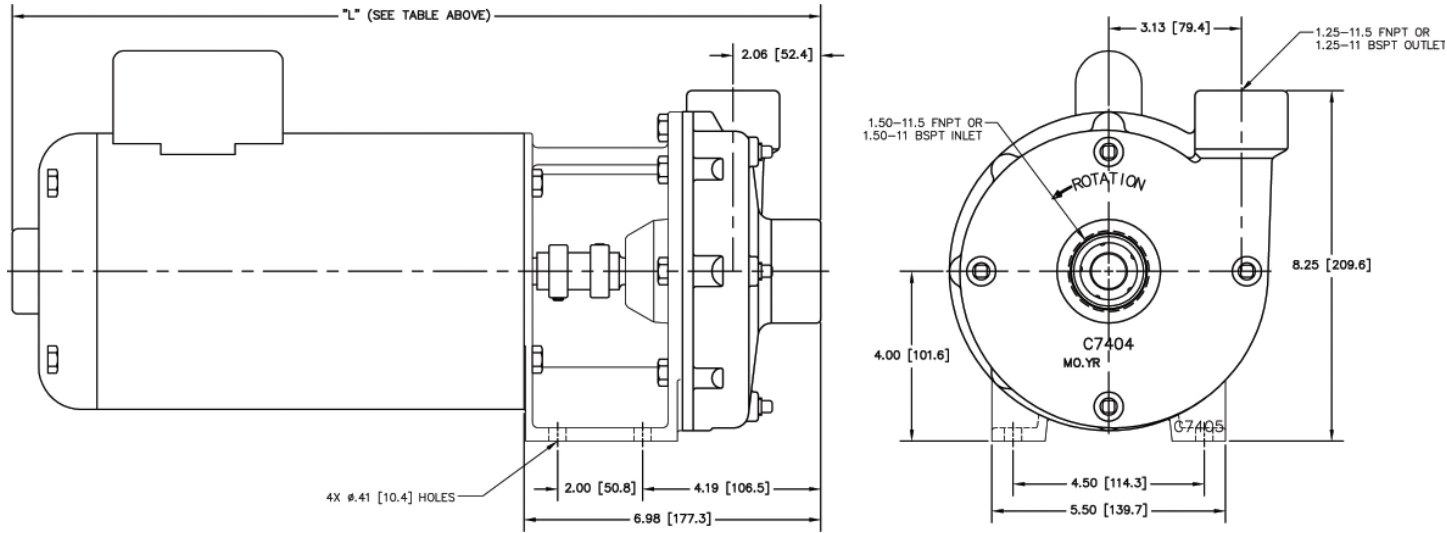


Bronze Close Coupled Centrifugal Pumps

Models 815B(E), 820B(E), 830B(E)

Dimensions



2 Pole Face-Mount Motors

Motor Code	Part #	HP (KW)	HZ	Phase	V	ENCL	Frame	Thermal	Length* Inch (mm)
T22	8009	1.5 (1.1)	60//50	1	115/208-230 // 110/220	ODP	NEMA 56C	Auto	16.8 (426)
T25	7538	1.5 (1.1)	60	1	115/230	ODP	NEMA 56C	Auto	17.9 (455)
T60	3495	1.5 (1.1)	60//50	3	208-230/460 // 190-380	ODP	NEMA 56C	NA	16.3 (414)
T63	7541	1.5 (1.1)	60	3	208-230/460	ODP	NEMA 56C	NA	17.6 (447)
T65	8366	1.5 (1.1)	60	3	208-230/460	TEFC	NEMA 56C	NA	16.9 (429)
W34	3688	2 (1.5)	60//50	1	115/208-230 // 110/220	ODP	NEMA 56C	Auto	17.3 (439)
W25	7539	2 (1.5)	60	1	115/230	ODP	NEMA 56C	Auto	17.7 (449)
W26	8321	2 (1.5)	60	1	115/230	TEFC	NEMA 56C	Auto	17.2 (436)
W87	3689	2 (1.5)	60//50	3	208-230/460 // 190-380	ODP	NEMA 56C	NA	16.8 (427)
W63	7542	2 (1.5)	60	3	208-230/460	ODP	NEMA 56C	NA	16.1 (409)
W64	8316	2 (1.5)	60	3	208-230/460	TEFC	NEMA 56C	NA	17.8 (451)
W86	3608	2 (1.5)	60	3	208-230/460	IP54	IEC 90 B14	NA	19.1 (484)
Y25	7540	3 (2.2)	60	1	208-230	ODP	NEMA 56C	Auto	18.6 (471)
Y63	7543	3 (2.2)	60	3	208-230/460	ODP	NEMA 56C	NA	18.1 (461)
Y64	8182	3 (2.2)	60	3	208-230/460	TEFC	NEMA 56C	NA	18.6 (471)
Y70	3078	3 (2.2)	50	3	220/380/440	TEFC	NEMA 56C	NA	16.9 (429)

Contact Factory for other motor options

* motor dimensions subject to variations among motor manufacturers

NBR = Acrylonitrile-Butadiene PTFE = Polytetrafluorethylene FKM = Fluoroelastomer



OBERDORFER PUMPS
by Gardner Denver

5900 Firestone Drive, Syracuse, NY 13206

Phone: (800) 448-1668; (315) 437-0361 • Fax: (315) 463-9561

Visit www.oberdorfer-pumps.com to find in-depth descriptions of the world's leading high-quality, dependable pumps.

Due to ongoing product improvements, data shown here is subject to change without notice. Contact Oberdorfer Pumps for latest specifications.

830B820B830B.112014



OBERDORFER PUMPS

by Gardner Denver

Bronze Close Coupled Centrifugal Pumps

Models 815B(E), 820B(E), 830B(E)

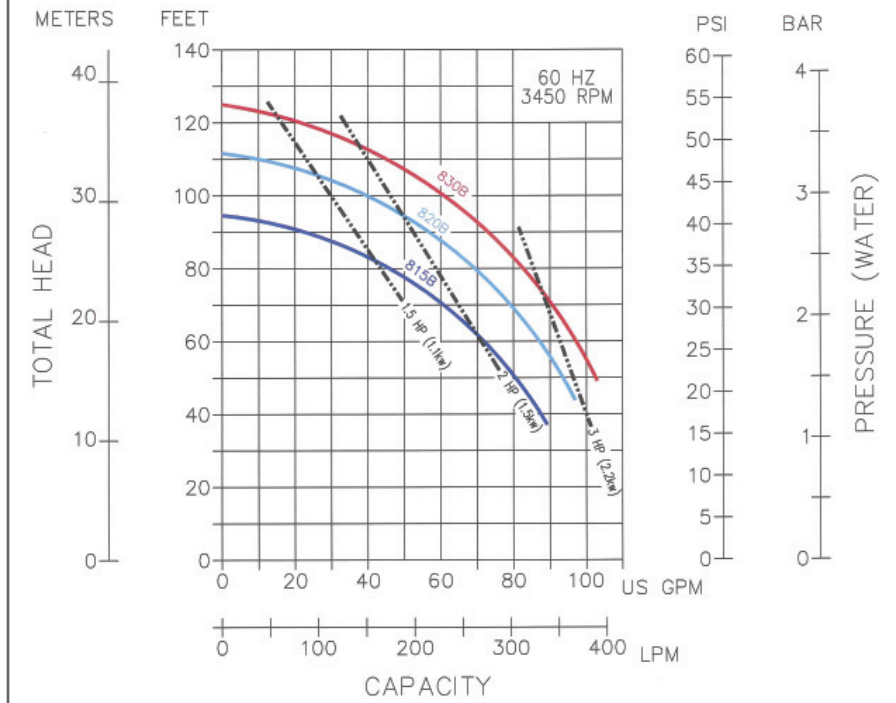
Inlet: 1 1/2" NPT or BSPT Ports

Outlet: 1 1/4" NPT or BSPT Ports

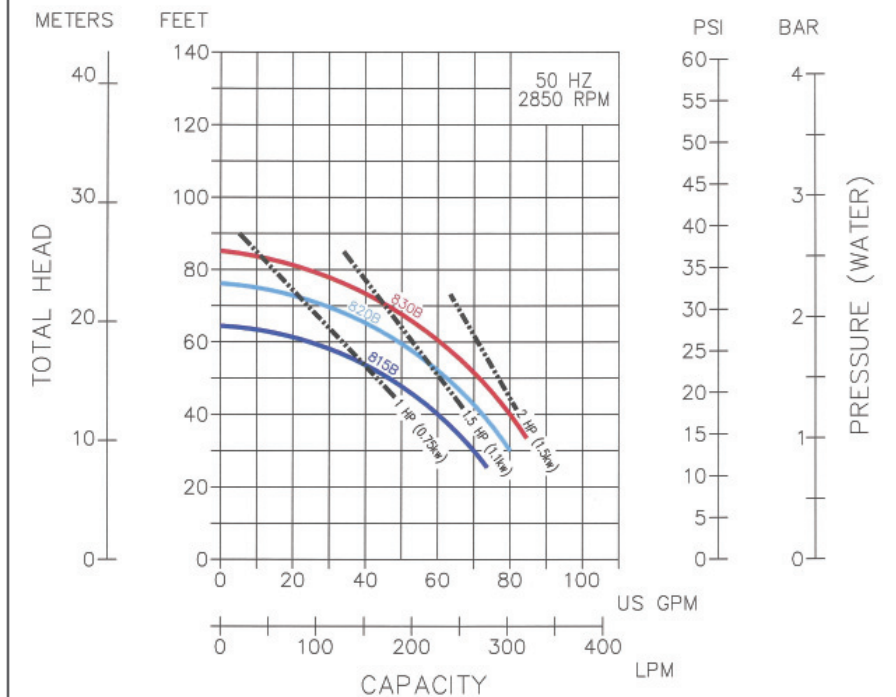


PERFORMANCE:

3450 60 HZ CURVE



2850 50 HZ CURVE



FEATURES:

- Durable Cast Bronze Construction
- Rugged Integrated Mounting Base
- Corrosion Resistant Stainless Steel Shaft
- Maintenance Friendly Back Pullout Design
- Closed Vane Balanced Bronze Impeller with Wear Ring in keyed or threaded (-07) style
- Extremely Quiet Operation
- Multiple Mechanical Seal Choices to handle a wide range of clean and contaminated fluids
- Outlet and drain can be oriented to (4) different positions for installation ease.
- O Ring housing seal eliminates gaskets problems
- Pump Heads readily mount to NEMA 56C or IEC 90 B14 Face Mount motors
- Complete Pump - Motor units available.
- For SAE AA 2 Bolt Hydraulic Motor Mount – see 830B-08
- For Pedestal style models see 81PB, 82PB, 83PB

Bronze Bronze Close Coupled Pumps

Models 815B(E), 820B(E), 830B(E)

Impeller

Impeller Diameters		
Model	Inch	mm
815B (E)	5.1	12.8
820B (E)	5.5	14.0
830B (E)	5.8	14.8

Mechanical Seals

Mechanical Seals						
Suffix	Type	Elastomer	Faces	Typical Applications	Seal Assembly	
NONE	Bellows	NBR	Carbon/Ceramic	Non-Potable Water	32346	
S10	Bellows	FKM	Carbon/Ceramic	Compatible Solvents	32360	
S11	Wedge	PTFE	Carbon/Ceramic	Compatible Chemicals	32211	

Pump Head Numbering System

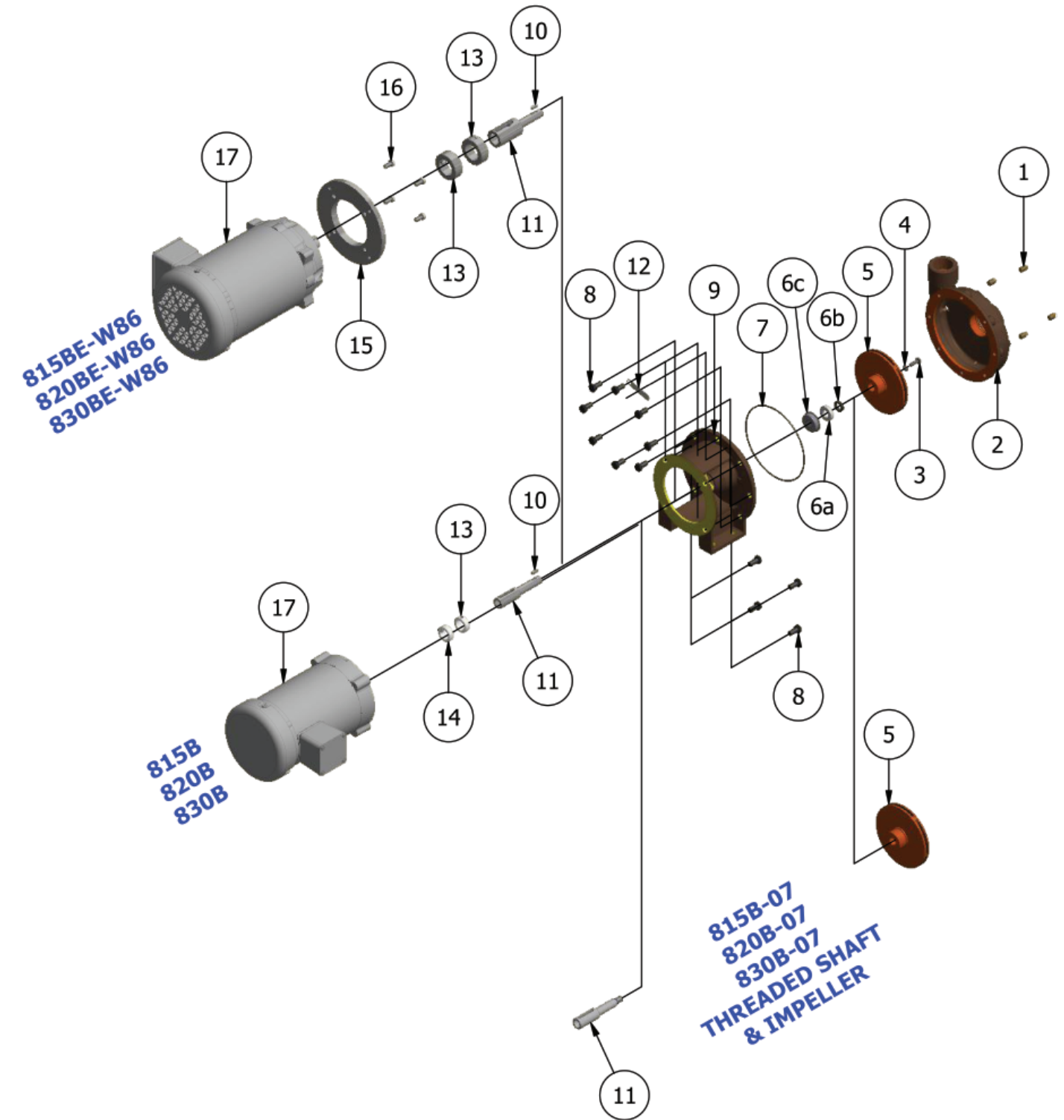
820B	E	07	S10	IEC90
Base Pump	Ports	Impeller Style	Shaft Seal	Frame (Pump Head Only)
815B	NONE NPT	NONE KEY	NONE NBR	NONE NEMA 56C
820B	E BSPT	07 THREAD	S10 FKM	84 NEMA 184TC
830B			S11 PTFE	IEC90 IEC 90 B14

Parts List

Model	Frame	1	2	3	4	5	6	6a	6b	6c	6a & 6b	7	8	9
		Pipe Plug	Body	Screw	Lock Washer	Impeller Assembly	Seal Assembly*	Seal Seat	Seal Wearface	Seal Head	Seat/Wearface Sub Assy	O-Ring**	Screw	Adapter
815B (E)		Qty. 4	Qty. 1	Qty. 2	Qty. 1	Qty. 1	Qty. 1	Qty. 1	Qty. 1	Qty. 1	Qty. 1	Qty. 2	Qty. 12	Qty. 2
815B (E)		5395	7585 (E)	7656	7395	32354	32346	7427	7426	2913	742601	9797-163	5411	7586-1
820B (E)		"	"	"	"	32352	"	"	"	"	"	"	"	"
830B (E)		"	"	"	"	32353	"	"	"	"	"	"	"	"
815B (E) -07		"	"	NA	NA	32002	"	"	"	"	"	"	"	"
820B (E) -07		"	"	"	"	32001	"	"	"	"	"	"	"	"
830B (E) -07		"	"	"	"	32000	"	"	"	"	"	"	"	"
	-84													
	-IEC90													

Model	Frame	10	11	12	13	14	15	16	Repair Kit
		Key	Shaft	Key	Collar	Collar	Motor Adapter	Screw	
815B (E)		Qty. 1	Qty. 1	Qty. 1	Qty. 1	Qty. 1	Qty. 1	Qty. 4	10959
815B (E)		7428	7421	6845	5886	7658	N/A	N/A	10959
820B (E)		"	"	"	"	"	"	"	10952
830B (E)		"	"	"	"	"	"	"	10953
815B (E) -07		N/A	2928	N/A	"	"	N/A	N/A	10959
820B (E) -07		"	"	"	"	"	"	"	12312
830B (E) -07		"	"	"	"	"	"	"	10953
	-84		2508	2510	2509	2509	2507	2501	
	-IEC90		3681		2509	2509	2116	2483L-016	

Exploded View



Repair kit includes items 5, 6, 7.

* for FKM and PTFE seal options - see Seal Table above

Item numbers 6a, 6b & 6c (Seal Parts) are sold only as Seal Assembly (Item 6.)

** Legacy version product used Gasket P/N 7425 until 2007.