

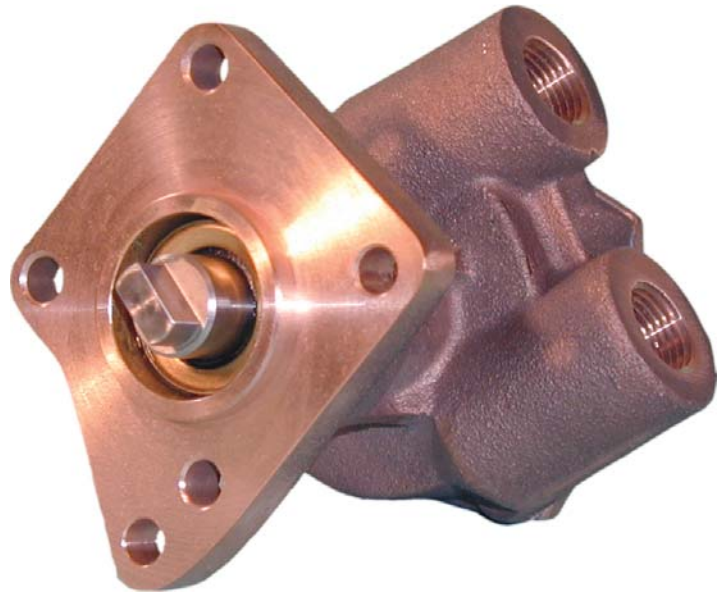
BRONZE RUBBER IMPELLER PUMP

ENGINE MOUNT

RUBBER IMPELLER PUMP N202M /N202M-03/N202M-07



RUBBER IMPELLER PUMP N202M-15/N202M-16



FEATURES

- Rugged simplicity
- Corrosion Resistant
- Convenient drain plug
- 2 bolt or 5 bolt flange mounting
- Slotted shaft drive or male tang drive
- 2 separate seals: main pump and flange mounting
- “Up” direction in & out ports
- High chrome nickel stainless steel shaft
- Impeller easily replaced
- Machined in cam

ROTATION

Direction of shaft rotation determines inlet and outlet ports (see line dimension drawing). Prior to installation, rotate the pump manually in direction of rotation to set flexible blades in direction desired.

DO NOT RUN DRY

Rubber impellers generate high rubbing friction unless lubricated by liquid pumped. Lack of liquid will cause impeller to burn up.

PERFORMANCE

WATER AT 60°F

| PUMP | RPM | FT. HD | 0 | 10 | 20 | 30 | 40 | 50 | 60 |
|---|------|--------|--------|--------|-------|-------|-------|-------|-------|
| | | PSI | 0 | 4.3 | 8.7 | 13 | 17.3 | 21.7 | 26 |
| N202M N202M-07 N202M-15 N202M-16 | 1750 | GPM | 6 1/2 | 6 1/4 | 6 | 5 1/2 | 4 3/4 | 4 | 2 3/4 |
| | | HP | 1/3 | 1/3 | 1/3 | 1/3 | 1/3 | 1/3 | 1/3 |
| | 2500 | GPM | 9 1/2 | 9 1/4 | 9 | 8 1/4 | 7 1/2 | 6 1/2 | 5 1/4 |
| | | HP | 1/2 | 1/2 | 1/2 | 1/2 | 1/2 | 1/2 | 1/2 |
| 3500 | GPM | 12 1/2 | 12 1/4 | 11 1/2 | 11 | 10 | 9 | 8 | |
| | HP | 3/4 | 3/4 | 3/4 | 3/4 | 3/4 | 3/4 | 3/4 | |
| N202M-03 | 1750 | GPM | 3 3/4 | 3 1/4 | 2 1/2 | 2 | 1 | - | - |
| | | HP | 1/3 | 1/3 | 1/3 | 1/3 | 1/3 | - | - |
| | 2500 | GPM | 6 1/2 | 6 | 5 1/2 | 4 1/2 | 3 1/2 | 2 | 1/4 |
| | | HP | 1/2 | 1/2 | 1/2 | 1/2 | 1/2 | 1/2 | 1/2 |
| | 3500 | GPM | 9 1/4 | 8 3/4 | 8 1/4 | 7 | 5 1/2 | 4 | 1 3/4 |
| | | HP | 3/4 | 3/4 | 3/4 | 3/4 | 3/4 | 3/4 | 3/4 |

RPM= REVOLUTIONS PER MINUTE
GPM= GALLONS PER MINUTE
PSI= LBS. PER SQUARE INCH PRESSURE
FT. HD.= FEET HEAD PRESSURE

BRONZE RUBBER IMPELLER PUMP

ENGINE MOUNT

MODELS N202M N202M-03 N202M-07 N202M-15 N202M-16

DESIGN SPECS

| Model | Ports | Cam | Flange | Shaft | Designed for | Universal # |
|----------|--------------|------|------------------------|----------------------|--|-------------|
| N202M | 1/2 -14 FNPT | full | 2 bolt | 5/8" with 7/32" slot | | |
| N202M-03 | 3/8 -18 FNPT | half | 2 bolt | 5/8" with 7/32" slot | Universal Atomic-4 Series Gas and Diesel Marine Engine | 299805 |
| N202M-07 | 3/8 -18 FNPT | full | 2 bolt | 5/8" with 7/32" slot | Universal Atomic-4 Series Gas and Diesel Marine Engine | 299805 |
| N202M-15 | 3/8 -18 FNPT | full | 5 bolt with male pilot | male tang | Universal Series with Kubota Diesel | 301357 |
| N202M-16 | 1/2 -14 FNPT | full | 5 bolt with male pilot | male tang | | |

UNIVERSAL ENGINE DATA

| Pump | Universal Model | Horsepower | Cylinders | Block Model |
|----------|-----------------|------------|-----------|-------------|
| N202M-03 | Atomic 4 | | | |
| N202M-07 | M-15 | 11 | 2 | Z-500 |
| N202M-15 | M-12 | 10 | 2 | Z-400 |
| N202M-15 | M-18 | 14 | 2 | Z-600 |
| N202M-15 | M-25XP | 23 | 3 | D-950 |
| N202M-15 | M-30 | 24 | 3 | D-1101 |
| N202M-15 | M-30 | 24 | 3 | D-1102 |
| N202M-15 | M-50 | 44 | 2 | V-1902 |

KUBOTA ENGINE DATA

| Pump | Kubota Model | Horsepower | Cylinders | Displacement |
|----------|--------------|------------|-----------|--------------|
| N202M-16 | Z482E | 13.5 | 2 | 479 cc |
| N202M-16 | D722E | 20.5 | 3 | 719 cc |
| N202M-16 | V1903E | 42 | 4 | 1857 cc |
| N202M-16 | V2203E | 49.5 | 4 | 2197 cc |

LIQUIDS AND TEMPERATURE

Liquids compatible with neoprene can be pumped including fresh and salt water solutions and mild chemicals. Do not pump gasoline, severe solvents or acids. When possible flush pump with fresh water after each usage.

Buna (Nitrile) impellers can handle oil contaminated water and kerosene at reduced impeller service life.

Extremes of cold and heat will affect impeller life. Limits of 40°F to 140°F should be observed. Do not allow liquid in pump to freeze. Drain pump by removing drain plug provided. Located at bottom of pump body. Use methyl alcohol based anti-freeze compounds.

SUCTION LIFT

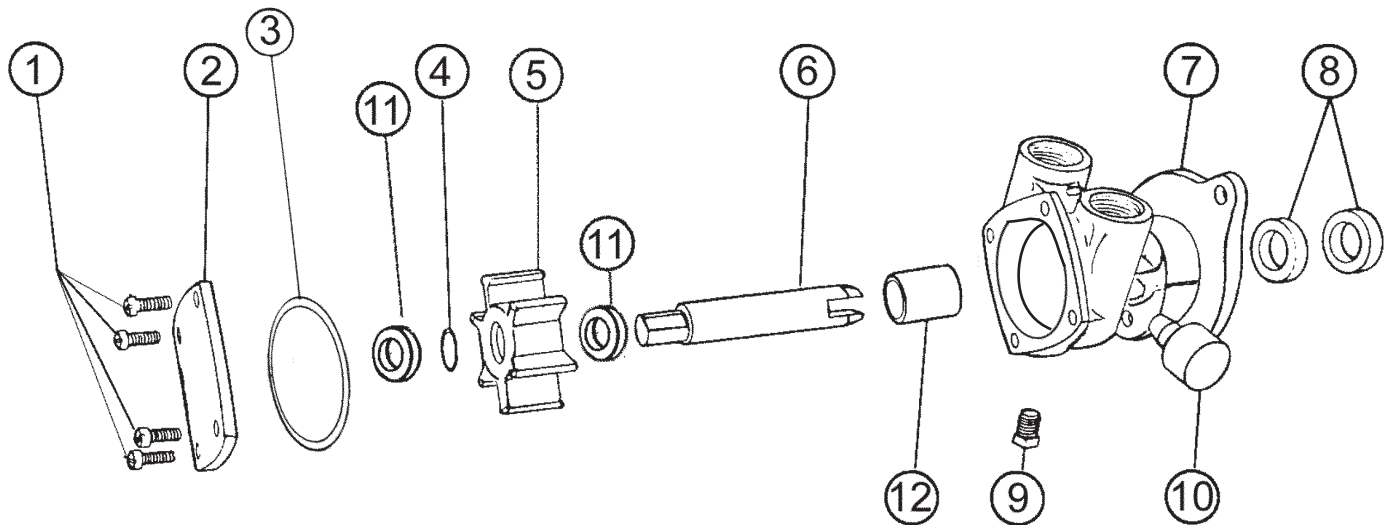
On initial start-up pump must be primed to prevent dry-running of the impeller. Suction lift of 15 ft. is possible when impeller is wet and pump fully primed. Suction lines must be air tight in order for pump to self prime.

BRONZE RUBBER IMPELLER PUMP

ENGINE MOUNT

MODELS N202M N202M-03 N202M-07 N202M-15 N202M-16

EXPLODED VIEW AND PARTS LIST



| Model | Item | 1 | 2 | 3 | 4 | 5 | 6 | 7 | 8 | 9 | 10 | 11 | 12 | Repair Kit ⁴ |
|----------|----------|-------|-------|----------|-----------|-----------------------|-------|---------|-----------------------|------|-------------------------|--------|----------------|-------------------------|
| | Name | Screw | Cover | O-Ring | Snap Ring | Impeller ¹ | Shaft | Body | Lip Seal ² | Plug | Grease Cup ³ | Washer | Carbon Bearing | |
| | Required | 4 | 1 | 1 | 1 | 1 | 1 | 1 | 2 | 1 | 1 | 2 | 1 | |
| N202M | | 5385 | 6597B | 9797-034 | 5373 | 6593 | 6598 | 6595-1 | 5463 | 6600 | 5910 | | | 10725 |
| N202M-03 | | 5385 | 6597B | 9797-034 | 5373 | 6593 | 6598 | 6892-2 | 5463 | 6600 | 5910 | | | 10725 |
| N202M-07 | | 5385 | 6597B | 9797-034 | 5373 | 6593 | 6598 | 6892-1 | 5463 | 6600 | 5910 | | | 10725 |
| N202M-15 | | 5385 | 6597B | 9797-034 | 5373 | 6593 | 8767 | 8920-1C | 5463 | 6600 | | 9647 | 5091 | 11691 |
| N202M-16 | | 5385 | 6597B | 9797-034 | 5373 | 6593 | 8767 | 9879-1C | 5463 | 6600 | | 9647 | 5091 | 11691 |

- Notes:
- 1 Neoprene impeller is standard, optional Buna impeller (8514) available
 - 2 Brass case, buna elastomer
 - 3 Pumps equipped with pre-filled grease cups from the factory, N202M, N202M-03, N202M-07
 - 4 Kits contain items 3,4,5, 8 and (when applicable) 12 and gaskets for older models
 - 5 Body P/N is a sub-assy that also includes item 12, carbon bearing (when applicable)

MODELS

N202M
 N202M-03
 N202M-07
 N202M-15
 N202M-16



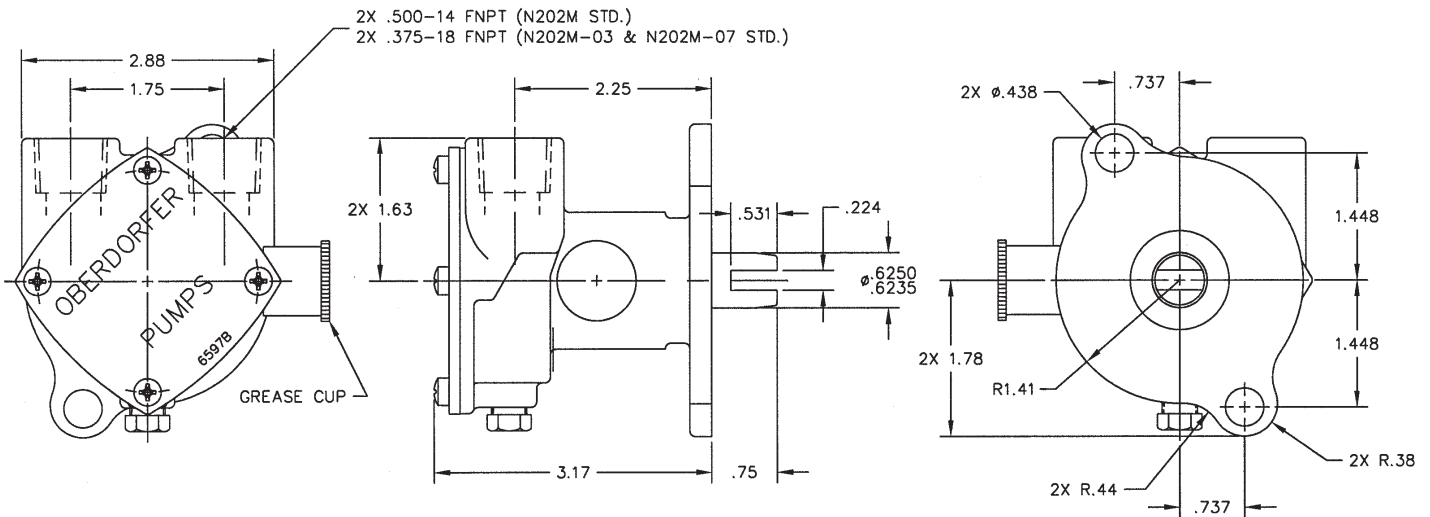
OBERDORFER PUMPS

A Gardner Denver Product

BRONZE RUBBER IMPELLER PUMP

ENGINE MOUNT

N202M, N202M-03, N202M-07 DIMENSIONS



ROTATIONAL



ROTATION DIAGRAM LOOKING AT COVER

N202M-15, N202M-16 DIMENSIONS

