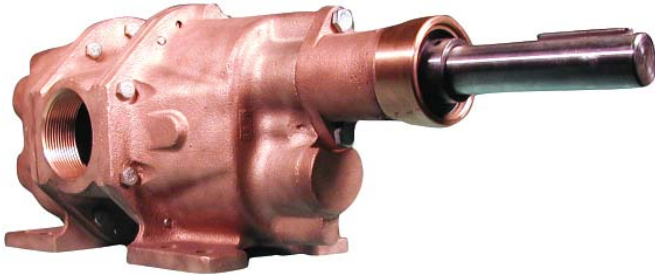




Pipe Size: 2"



Model N26HDM Shown

FEATURES:

- All Bronze Casting and Stainless Steel Shafts
- Sealing Arrangement Interchangeable in Field with Proper Kit
- Outboard Ball Bearing Support for Belt Drive Applications
- Self Lubricating Carbon Bearings

SERVICE WEAR FACTORS:

Speed - High speed accelerates wear. For longer service life keep speed as low as possible. Pump speeds above 900 RPM not recommended except for intermittent duty and pressures below 100 psi.

Pressure - High pressure accelerates wear. For longer service life keep pressure as low as possible.

Liquid Temperature - High temperature accelerates wear. Keep as close to room temperature as possible.

Liquid Contamination - Impurities like fine abrasive silt or sand accelerate wear. Keep liquid as clean as possible.

Liquid Lubricity - Lubricants increase service life many fold. Use lubricant additives whenever possible.

Noise - Large gear pumps are inherently noisy due to metal to metal gear contact. Make installations far removed from office or other relatively quiet people areas. Some noise reduction can be realized by lowering pump speed and use of isolation mounts and lines, usually the small amount of noise reduction achieved does not justify the effort and expense.

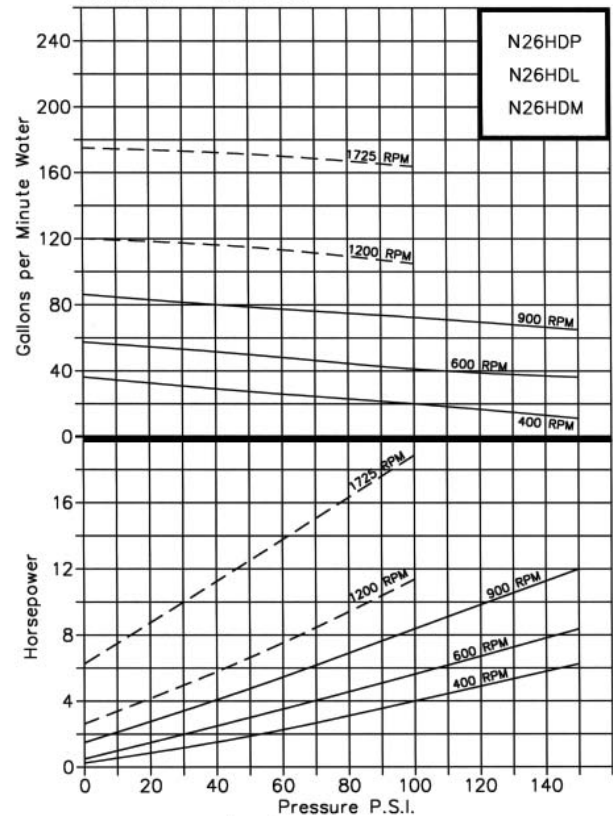
Drive & Alignment - Direct drive is the recommended drive arrangement. This pump is suitable for belt drive applications without needing pillow block bearings to achieve acceptable pump life. Correct alignment is absolutely essential for satisfactory pump life. Recheck alignment after piping has been connected to the pump.

SEAL CONVERSION KITS

Seal conversion kits illustrated (on back) are designed for quick removal and replacement. In each case, seal housings are fastened to pump bodies by means of 2 bolts, item 13.

PERFORMANCE:

CAPACITY WATER AT 60°F



Note: Dotted lines(---) recommended for intermittent duty only due to accelerated wear at high speeds and pressures.

IMPORTANT: Before attempting to remove a seal housing containing seal components by sliding them off the pump shaft, be sure to unlock 2 set screws locking the ball bearing inner race to the pump shaft. The ball bearing is identified as item 20. Also, before attempting to slide the seal housing from the pump shaft, remove all burrs, scale, and projections that could be formed by fretting corrosion.

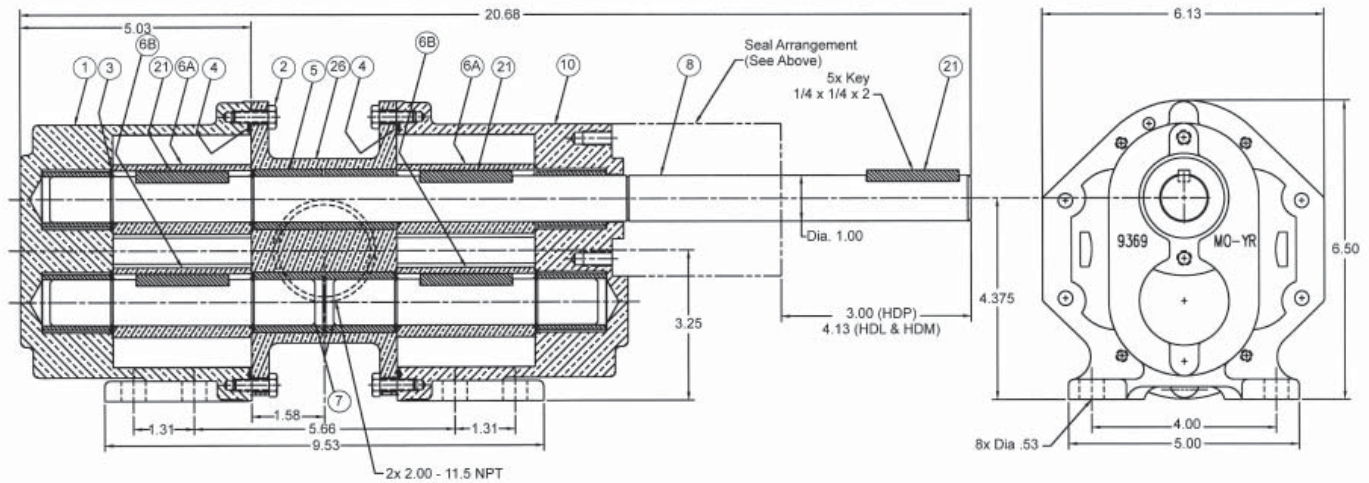
Seal Conver. Kit No.	Pump Models	Seal Type	Materials
11021	N26HDP	Packing	Acrylic-Graphite
11022	N26HDP-1	Packing	Teflon**
11023	N26HDL	Lip	Viton** - Teflon**
11024	N26HDLS03	Lip	Buna
11025	N26HDM	Mechanical	Buna-Ceramic
11026	N26HDMS07	Mechanical	Viton** - Ceramic

* VITON® is a trademark of DuPont Dow Elastomers. VITON® or equivalent FKM may be used. Teflon® is a registered trademark of DuPont. Teflon® or equivalent PTFE will be used.

Pedestal Bronze Rotary Gear Pumps

N26HDP • N26HDL • N26HDM

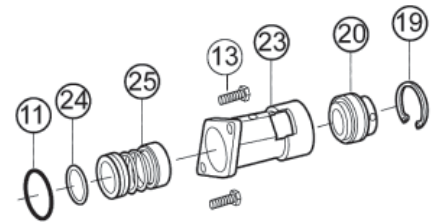
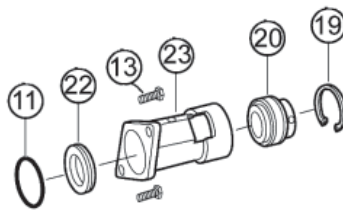
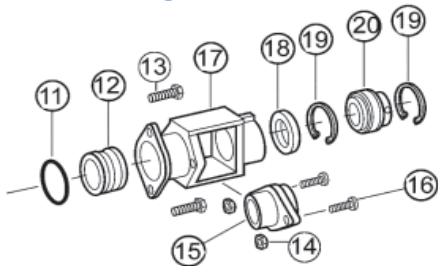
Exploded View, Dimensions and Parts List



Packing Seal End (HDP)

Lip Seal End (HDL)

Mechanical Seal End (HDM)



	1	2	3*	4*	5*	6A*	6B*	7*	8*	9	10	11*	12*	13
	Body Rear	Screw	Snap Ring	O-Ring	Bearing	Drive Gear	Idle Gear	Idle Shaft	Drive Shaft	Dowel Pin	Body Front	O-Ring	Packing Ring	Screw
Model	Qty. 1	Qty. 20	Qty. 6	Qty. 2	Qty. 8	Qty. 2	Qty. 2	Qty. 2	Qty. 1	Qty. 4	Qty. 1	Qty. 1	Qty. 4	Qty. 2
N26HDP	5220PN5N	5694	7651	9797-158	5108	9854	9855	7653	7571	8597	5220PN7N	6515	7624	5916
N26HDP-1	5220PN5N	5694	7651	9797-158	5108	9854	9855	7653	7571	8597	5220PN7N	6515	7450	5916
N26HDL	5220PN5N	5694	7651	9797-158	5108	9854	9855	7653	7571	8597	5220PN7N	9797-224	----	6827
N26HDLS03	5220PN5N	5694	7651	9797-158	5108	9854	9855	7653	7571	8597	5220PN7N	6515	----	6827
N26HDM	5220PN5N	5694	7651	9797-158	5108	9854	9855	7653	7571	8597	5220PN7N	6515	----	6827
N26HDMS07	5220PN5N	5694	7651	9797-158	5108	9854	9855	7653	7571	8597	5220PN7N	9797-224	----	6827

	14	15	16	17	18*	19	20	21*	22*	23	24	25*	26	Repair Kit
	Nut	Gland	Screw	Seal Housing	Seal	Ring	Ball Bearing	Key	Lip Seal	Seal Housing	Ring	Seal Asbly	Tie Block	
Model	Qty. 1	Qty. 1	Qty. 2	Qty. 1	Qty. 1	Qty. 2 (P), 1 (L&M)	Qty. 1	Qty. 5	Qty. 1	Qty. 1	Qty. 1	Qty. 1	Qty.	
N26HDP	5597	7451	9905	7449	6710	7372	7368	5957	----	----	----	----	2286	11015
N26HDP-1	5597	7451	9905	7449	6710	7372	7368	5957	----	----	----	----	2286	11016
N26HDL	----	----	----	----	----	7372	7368	5957	7262	7365	----	----	2286	11017
N26HDLS03	----	----	----	----	----	7372	7368	5957	6500	7365	----	----	2286	11018
N26HDM	----	----	----	----	----	7372	7368	5957	----	7365	7651	32315	2286	11019
N26HDMS07	----	----	----	----	----	7372	7368	5957	----	7365	7651	32372	2286	11020

* Repair kit contains these items.



OBARDORFER PUMPS

A Gardner Denver Product

5900 Firestone Drive, Syracuse, NY 13206

Phone: (800) 448-1668; (315) 437-0361 • Fax: (315) 463-9561

Visit www.oberdorfer-pumps.com to find in-depth descriptions of the world's leading high-quality, dependable pumps.

Due to ongoing product improvements, data shown here is subject to change without notice. Contact Oberdorfer Pumps for latest specifications.