



Model N7000E 3/4" BSPT Ports



Model N7000RE

FEATURES:

- Bronze Corrosion Resistant Castings
- Special Cast Bronze Gears
- Stainless Steel Shafts & Fasteners
- Formed Ring Seal Packing (Lip & Mechanical Seals are available)
- Heavy Duty Carbon Bearings (Self Lubricating)
- Positive Displacement Flow

DRIVE:

Either direct drive with flexible coupling or pulley drive can be used. Make sure both flexible coupling halves are properly aligned. When using a pulley, do not overtighten the belt. Also, to absorb belt side thrust at higher pressures and larger size pumps, an external ball bearing support is recommended -- consult factory.

LIQUIDS AND TEMPERATURE:

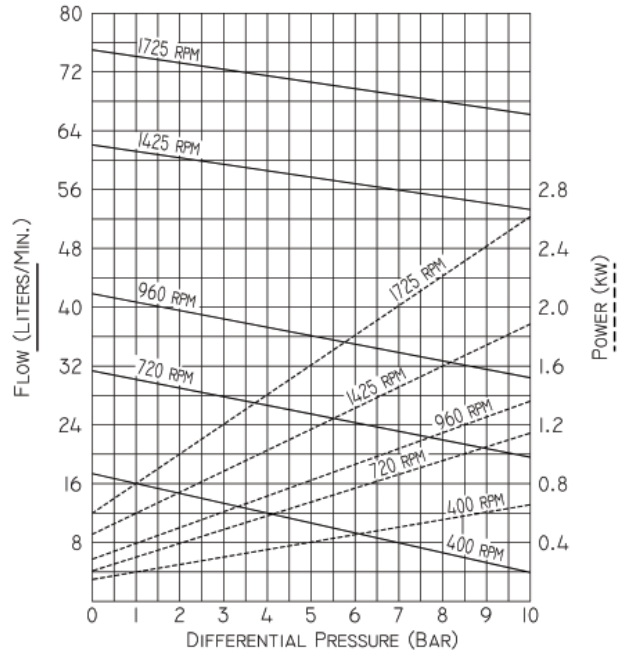
Service life will be increased substantially if the liquid pumped is clean and has some degree of lubricity. These positive displacement pumps have tight tolerances. Fine abrasives like sand, silt, or powders in suspension will accelerate pump wear and reduce throughput.

Liquids compatible with bronze and stainless steel can be pumped providing proper seal has been specified (see chemical compatibility or check factory). When possible, flush the pump after each usage.

Temperature extremes are detrimental to service life and should be avoided. Basic metals of construction allow a temperature range of -40 to 200° C. Some lip and mechanical seal elastomers have a limit of 100° C. (See engineering data or check factory.) Allowing a liquid to freeze in the pump can cause damage

PERFORMANCE:

Values @ 1cP, 20° C



* For pressures over 7 bar, the above selections are suitable for pumping fluids with lubricity (eq. oils, polymers). Service life will decrease for fluids without lubricity (eq. water, solvents).

SUCTION LIFT:

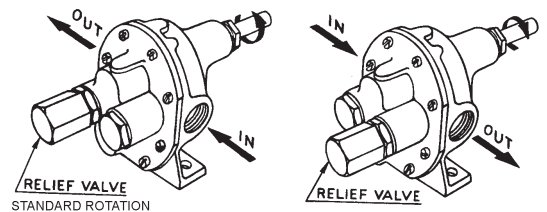
Close tolerances and the positive pumping action make the rotary gear pump capable of lifting water on the suction side as high as 6 meters. Though gear pumps are self priming, a foot valve is recommended. If possible, wet the gears with liquid to be pumped for the first dry start. Liquid retained in the system and gear chambers serves to “wet” the pump on subsequent starts.

BY-PASS AND ROTATION:

The pump by-pass is not intended to be a metering or flow control device. Its main purpose is to function as a pressure relief when the desired set point is exceeded, overheating can occur within 5-10 minutes if the discharge line is completely shut off for extended periods.

Reversing rotation reverses the “IN” and “OUT” ports and the location of the by-pass ports have to be reversed.

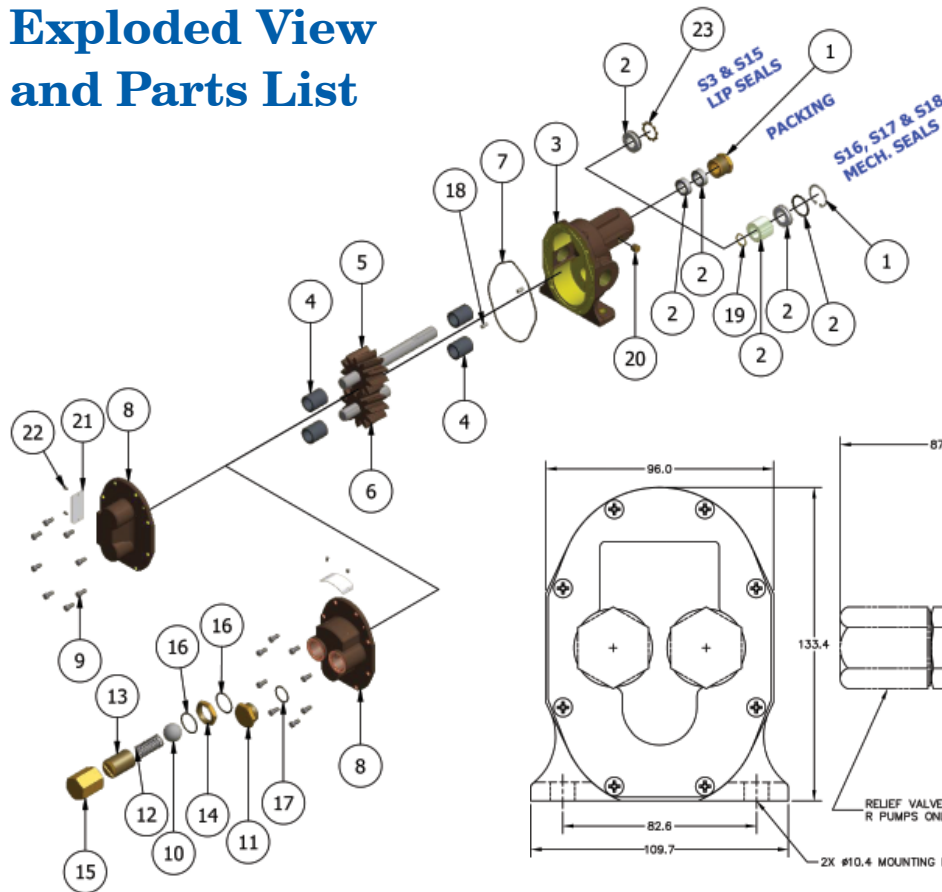
The by-pass valve is factory set at 3.5 bar. To increase the set-point, turn the by-pass valve adjusting screw in a clockwise direction.



Bronze Pedestal Rotary Gear Pumps

Model N7000E Series

Exploded View and Parts List

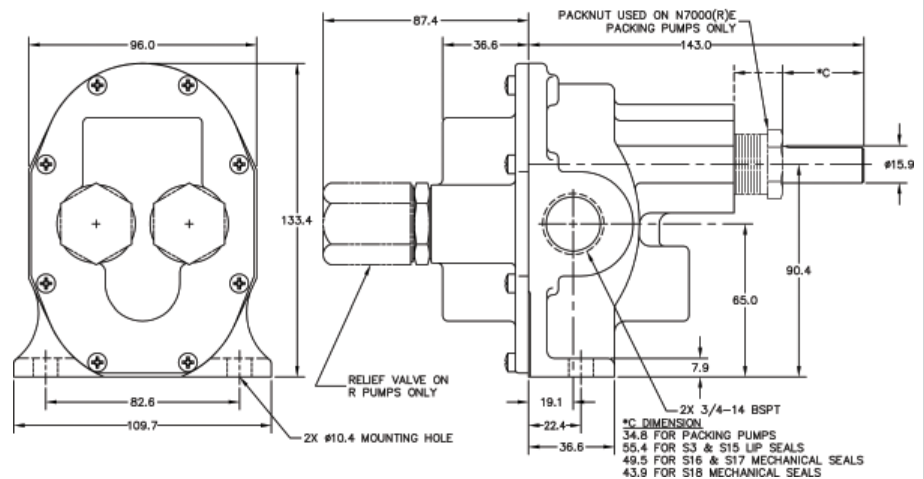


Items 8 and 10-17 for the "R" versions only.

Item 23 is only used on N7000ES15 Pumps.

Item 20 is only used on N7000ES18 Pumps.

Dimensions



Model	Seal Arrangement	1 Packnut or Retaining Ring Qty. 1	2 Packing Qty. 2	3 Seal Qty. 1	4 Body Qty. 1	5 Bearing Qty. 4	6 Drive Gear Assy Qty. 1	7 Idle Gear Assy Qty. 1	8 O-ring Qty. 1	9 Cover Qty. 1	10 Screw Qty. 8	11 Ball Qty. 1
N7000E	Packing	1762	5479	NA	9324NE1N-E	5091	33015	32959	9797-045	9326NN5N	5385	NA
N7000ES3	NBR Lip	NA	NA	5463	9324NE2N-E	5091	33015	32959	9797-045	9326NN5N	5385	NA
N7000SE15	FKM Lip	NA	NA	9997	9324NE2N-E	5091	33015	32959	9797-045	9326NN5N	5385	NA
N7000ES16	NBR Bellows Mech.	5374	NA	32202	9374NE9N-E	5091	33043	32959	9797-045	9326NN5N	5385	NA
N7000ES17	FKM Bellows Mech.	5374	NA	32235	9374NE9N-E	5091	33043	32959	9797-045	9326NN5N	5385	NA
N7000ES18	PTFE Wedge Mech.	5374	NA	32923	9374NE6N-E	5091	33043	32959	9355-045	9326NN5N	5385	NA
Relief Valve Versions: N7000RE, N7000RES3, N7000RES15, N7000RSE16, N7000RES17, N7000RES18										9327NN5B		6217

Model	11 Plug Nut Qty. 1	12 Spring Qty. 1	13 Adj. Screw Qty. 1	14 Locknut Qty. 1	15 Bypass Nut Qty. 1	16 O-Ring Locknut Qty. 2	17 O-Ring Plug Nut Qty. 1	18 Dowel Pin Qty. 2	19 Retaining Ring Qty. 1	20 Pipe Plug Qty. 1	21 Tag Qty. 1	22 Tag Screw Qty. 2	23 Lock Ring Qty. 1	Repair Kit*
N7000E	NA	NA	NA	NA	NA	NA	NA	8885	NA	NA	9344	9345	NA	10638
N7000ES3	NA	NA	NA	NA	NA	NA	NA	8885	NA	NA	9344	9345	NA	11258
N7000SE15	NA	NA	NA	NA	NA	NA	NA	8885	NA	NA	9344	9345	3033	12107
N7000ES16	NA	NA	NA	NA	NA	NA	NA	8885	5382	NA	9344	9345	NA	12128
N7000ES17	NA	NA	NA	NA	NA	NA	NA	8885	5382	NA	9344	9345	NA	12129
N7000ES18	NA	NA	NA	NA	NA	NA	NA	8885	5382	6052	9344	9345	NA	12130
Relief Valve Versions	5278R	5277	5275	1642D	5276	9797-022	9797-019							

* All Repair Kits contain items 2, 4, 5, 6, 7

NBR = Acrylonitrile-Butadiene PTFE = Polytetrafluorethylene FKM = Fluoroelastomer



OBERDORFER PUMPS

by Gardner Denver

5900 Firestone Drive, Syracuse, NY 13206

Phone: (800) 448-1668; (315) 437-0361 • Fax: (315) 463-9561

Visit www.oberdorfer-pumps.com to find in-depth descriptions of the world's leading high-quality, dependable pumps.

Due to ongoing product improvements, data shown here is subject to change without notice. Contact Oberdorfer Pumps for latest specifications.

N7000ESeries.072014