



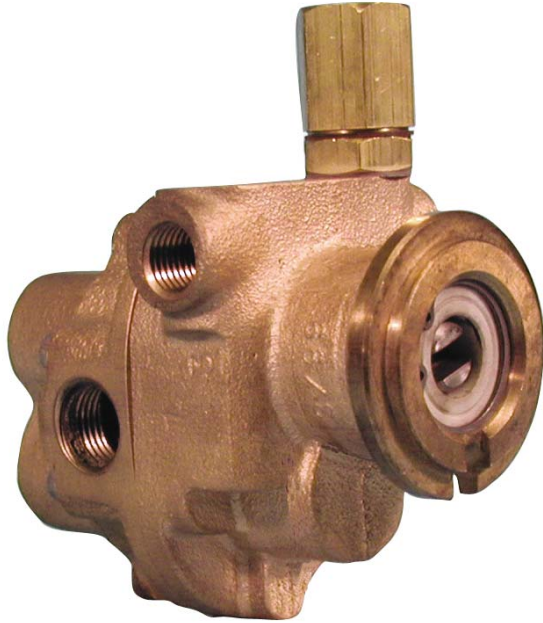
OBERDORFER PUMPS

A Gardner Denver Product

Carbonator Motor Mounted Bronze Rotary Gear Pumps

N91K61GEC

3/8" NPT Ports Standard



PERFORMANCE:

Capacity - Water 60° F 1725 R.P.M.

Pump Series	PSI	2	20	40	60	80	100
N91	GPM	2.1	1.9	1.8	1.7	1.6	1.5

FEATURES:

- Bronze Body, Stainless Steel Shafts
- Buna N Mechanical Seal
- Ryton®* Gears
- Self-lubricating Carbon Bearings
- Alternative to Rotary Vane Pumps

GENERAL DESCRIPTION:

The carbonator motor mounting uses a circular clamp, similar to a hose clamp, as means of attaching the pump to a specially machined hub on the motor. This concept was first developed for the vending machine industry to pump carbonated beverages in soft drink dispensers. The main advantages are compactness and economy due to the elimination of the adapter casting. Carbonator motors are readily available from electric motor distributors.

The rotary gear pump features an all bronze design and 303 stainless steel shafts with options of non-metallic gears and a variety of shaft seals. The built-in relief valve is available in two options; internal recirculation to suction side or external connection for return line to supply tank.

SUCTION LIFT:

For a first start-up, the pump should be primed to avoid dry running. Gear pumps are self-priming, but a foot valve with strainer is recommended at the beginning of the suction line. This will keep the gear chamber primed to insure instant flow when the pump is started. Maximum suction lift is 20 feet. The suction line should be as short as possible.

LIQUIDS AND TEMPERATURE:

Bronze pumps are suitable for water, oil, and mild chemicals in the pH-range from 4-10. Viscous liquids may be handled with carbonator pumps up to a viscosity of 300 SSU. Higher viscosities require a pump speed lower than 1725 RPM, which is currently not available in carbonator motors.

Liquids containing abrasives, solids, powders or pigments are highly detrimental to pump life and must be avoided. The recommended liquid temperature range is from 32°F to 140°F. If more extreme temperature conditions exist, factory should be consulted. Allowing the liquid to freeze in the pump can cause damage.

ROTATION AND RELIEF VALVE:

The relief valve is not intended to be a metering or flow control device. Its main purpose is not intended to be a metering or flow control device. Its main purpose is to function as a discharge pressure relief when the spring tension is exceeded by the discharge pressure. Overheating can occur within 5-10 minutes if the discharge line is completely shut off for extended periods.

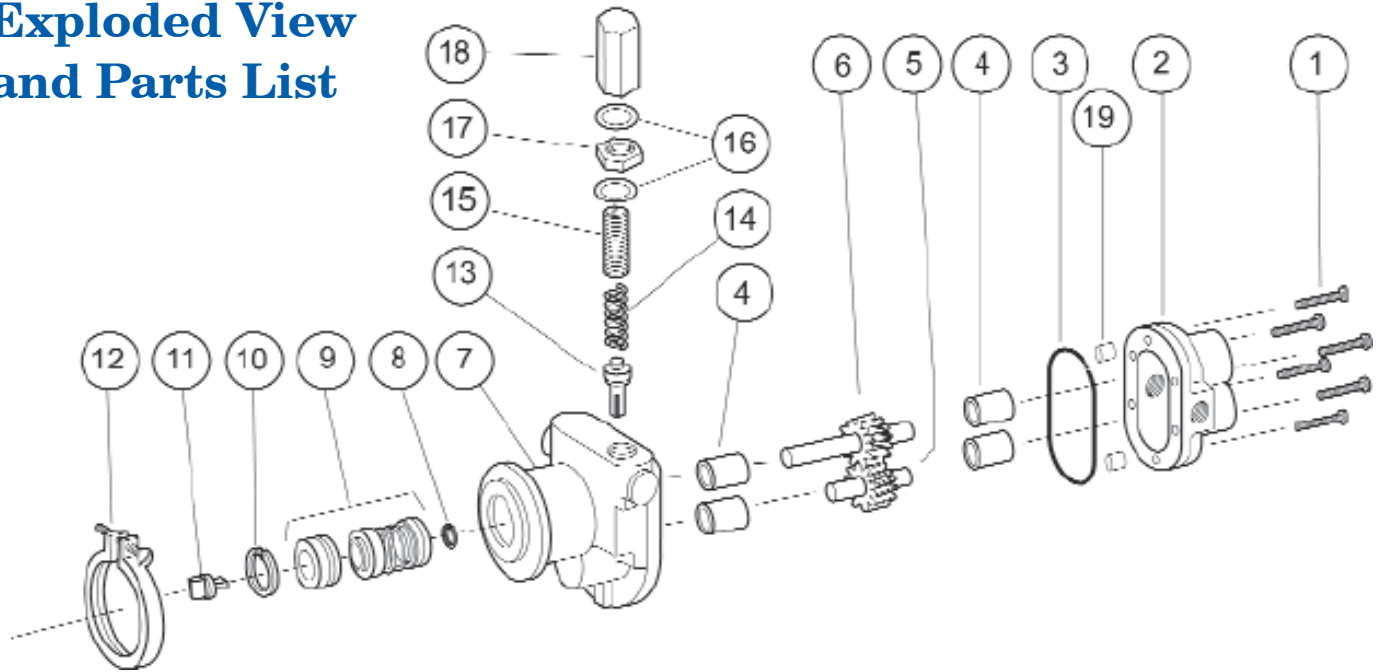
Unless otherwise specified, the pump motor unit is supplied by the factory for shaft rotation clockwise from shaft end. Reversing the motor rotation will reverse the "in" and "out" ports and also requires changing the relief valve location. The relief valve is always on the discharge side in this pump series. The factory pressure setting is 50 PSIG. To increase pressure, turn the relief valve adjusting screw in a clockwise direction.

To reverse single phase motors, find instructions on the inside of the junction box cover or on the name plate of the motor.

Carbonator Motor Mounted Bronze Rotary Gear Pumps

N91K61GEC

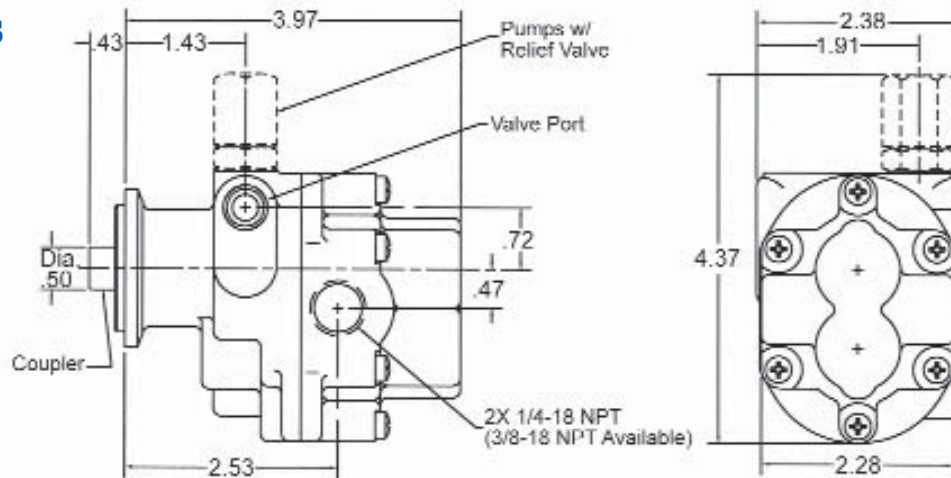
Exploded View and Parts List



	1	2	3*	4*	5*	6*	7	8	9*	10	11*	12	13	14	15	16	17	18	19**	
	Screw	Body	O-ring	Bearing	Idle Gear Assy	Drive Gear Assy	Cover	Snap Ring	Seal	Snap Ring	Coupler	Clamp	Poppet	Spring	Adjust. Screw	O-ring	Lock Nut	Valve Nut	Dowel Pin	Repair Kit
Model	Qty. 6	Qty. 1	Qty. 1	Qty. 4	Qty. 1	Qty. 1	Qty. 1	Qty. 1	Qty. 1	Qty. 1	Qty. 1	Qty. 1	Qty. 1	Qty. 1	Qty. 1	Qty. 2	Qty. 1	Qty. 1	Qty. 2	
N91K61GEC	7733	9300NC5N	9797-033	5024	32403	32904	9305NN4R	5373	32584	7639	9175	8840	7640	5806	5766	9797-015	5774D	5767	8885	11947
N91K62GEC	7733	9300NC5N	9797-033	5024	32403	32914	9305NN4R	5373	32584	7639	9175	8840	7640	5806	5766	9797-015	5774D	5767	8885	11947

*Repair Kits contain items 3, 4, 5, 6, 9, 11
 **Items not shown

Dimensions



*Ryton® or equivalent PPS plastic will be used. Ryton® is a registered trademark of Phillips Petroleum Co.



OBARDORFER PUMPS

A Gardner Denver Product

5900 Firestone Drive, Syracuse, NY 13206

Phone: (800) 448-1668; (315) 437-0361 • Fax: (315) 463-9561

Visit www.oberdorfer-pumps.com to find in-depth descriptions of the world's leading high-quality, dependable pumps.

Due to ongoing product improvements, data shown here is subject to change without notice. Contact Oberdorfer Pumps for latest specifications.

N91K61GEC.120611