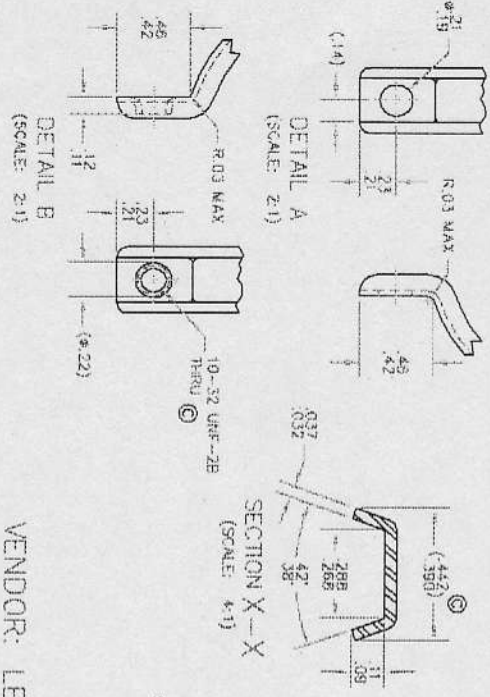


NOTES:
 V-BAND - AISI TYPE 301, 302 OR 304 GRES
 ANNEALED TEMPER
 SCREW - #10-32 UNF-2A X 1.50 - 1.25 LONG, SLOTTED
 HEX WASHER HEAD - ZINC PLATED STEEL
 DIM MEASURED WITH CLAMP INSTALLED AT
 10 IN-LBS TORQUE ON NOMINAL DIAMETER
 VENDOR SUPPLIES CLAMP WITH CLAMP SCREW JUST
 STARTED (ENGAGED 4 THREADS)



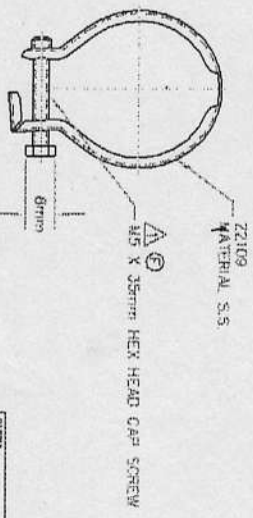
VENDOR: LEONARDI MANUFACTURING

8840

REV	DESCRIPTION	ECN	APP'D	DATE
D	REDRAWN, ADDED SCREW ENGAGEMENT FROM SUPPLIER DETAILS 45946 D.A. 10/26/03			
E	ADDED DEPCO AS APPROVED SOURCE	46344	D.A.	10/26/03
F	MODIFIED DEPCO (FLUID-O-TECH) CLAMP SCREW 46475 D.A. 10/16/06			
C	P/N WAS 22109 CLAMP # / SEPARATE SCREW 46648 D.A. 02/12/06			

NOTES:
 VENDOR SUPPLIES CLAMP WITH CLAMP SCREW JUST
 STARTED (ENGAGED 4 THREADS)

VENDOR: DEPCO
 MANUFACTURER: FLUID-O-TECH
 P/N 22056 (CLAMP W / SCREW)



REV	DESCRIPTION	DATE	APP'D	DATE
1	ISSUED FOR PRODUCTION	10/17/03		
2	ISSUED FOR PRODUCTION	10/21/03		
3	ISSUED FOR PRODUCTION	10/21/03		
4	ISSUED FOR PRODUCTION	10/21/03		
5	ISSUED FOR PRODUCTION	10/21/03		
6	ISSUED FOR PRODUCTION	10/21/03		
7	ISSUED FOR PRODUCTION	10/21/03		
8	ISSUED FOR PRODUCTION	10/21/03		
9	ISSUED FOR PRODUCTION	10/21/03		
10	ISSUED FOR PRODUCTION	10/21/03		

8840

V-BAND CLAMP

OBERDORFER PUMPS
 A SUBSIDIARY OF THOMAS INDUSTRIES INC.
 200 WEST 17TH STREET, NEW YORK, N.Y. 10011-4771

REV	DESCRIPTION	DATE	APP'D	DATE
1	ISSUED FOR PRODUCTION	10/17/03		
2	ISSUED FOR PRODUCTION	10/21/03		
3	ISSUED FOR PRODUCTION	10/21/03		
4	ISSUED FOR PRODUCTION	10/21/03		
5	ISSUED FOR PRODUCTION	10/21/03		
6	ISSUED FOR PRODUCTION	10/21/03		
7	ISSUED FOR PRODUCTION	10/21/03		
8	ISSUED FOR PRODUCTION	10/21/03		
9	ISSUED FOR PRODUCTION	10/21/03		
10	ISSUED FOR PRODUCTION	10/21/03		