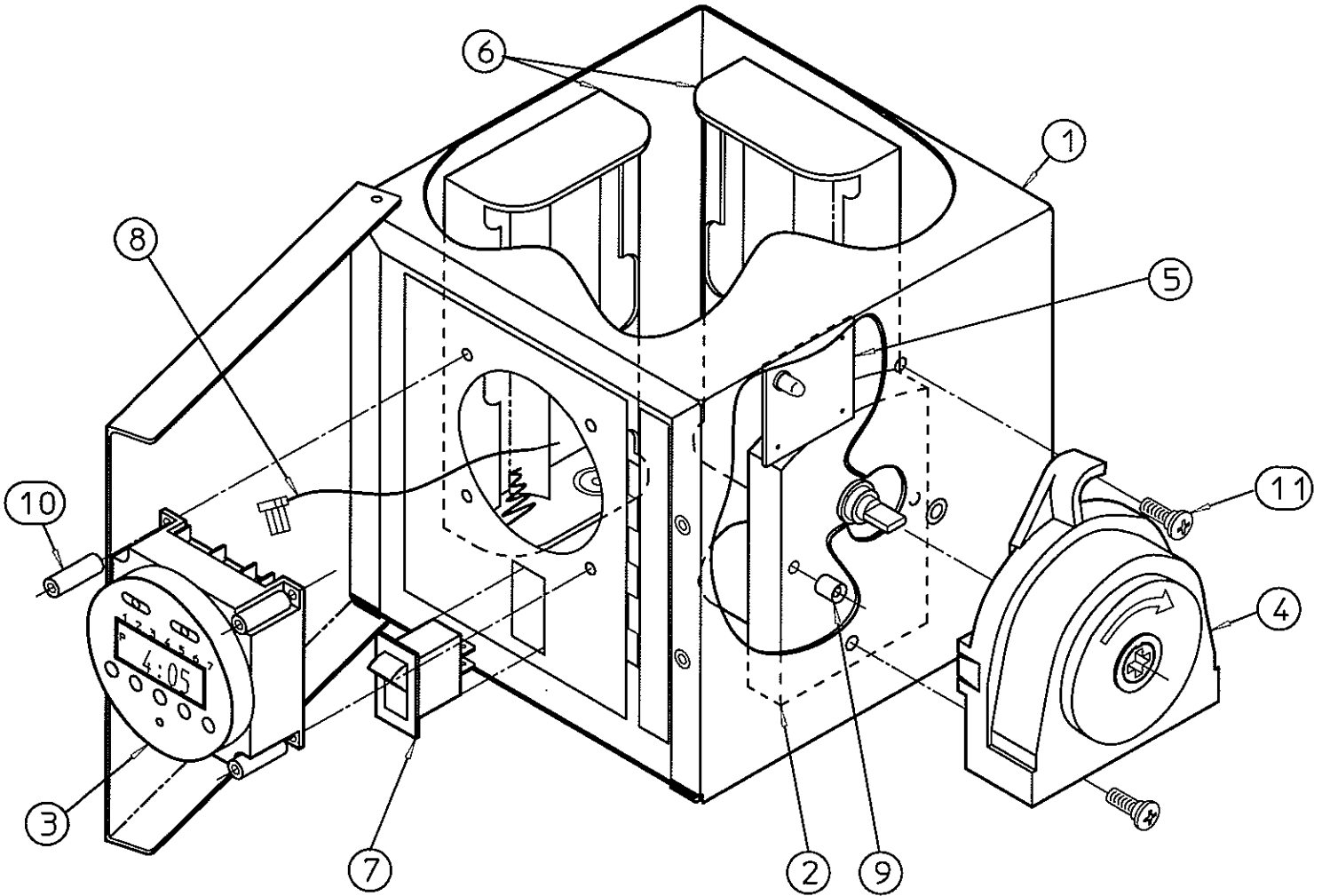


PARTS LIST & ASSEMBLY



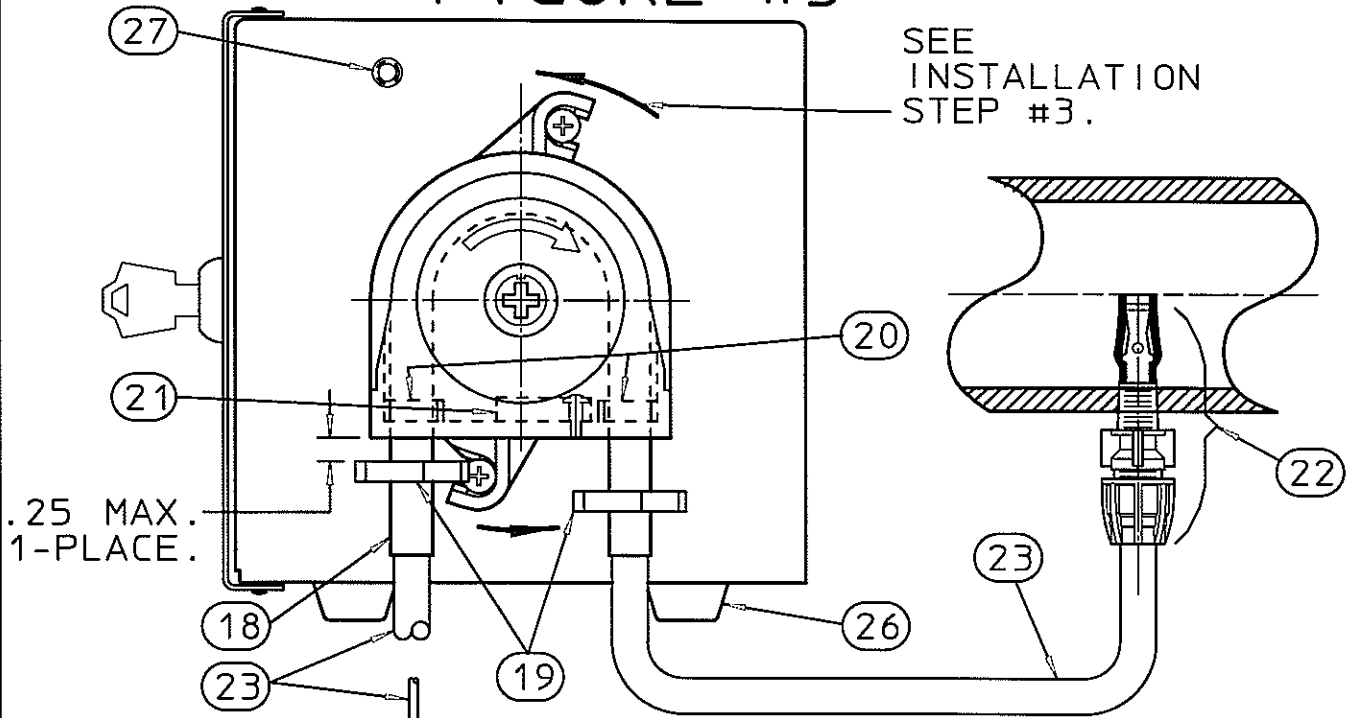
ITEM	PART #	DESCRIPTION	QTY
1	U0818897	HOUSING ASSY w/LOCK	1
2	U0818881	MOTOR 12vDC	1
3	U0818882	DIGITAL TIMER 12vDC	1
4	U8800651	HEAD KIT	1
5	U0818903	LOW BATTERY BOARD ASSY	1
6	U0818902	BATTERY HOLDER ASSY	1
7	U0818061	TOGGLE SWITCH	1
8	U0818904	GROUND WIRE CONN.	1
9	U0818026	SPACER SST(MOTOR)	2
10	U0818888	SPACER PVC(TIMER)	4
11	U0817888	SHOULDER SCREW(PUMP)	2
12*	U0818901	LOCK NUTS(PUMP)	2
13*	U0818666	#8-32 x 1.25' FHP(MOTOR)	2
14*	U0819070	#6-32 x 1.25' PHP(TIMER)	4
15*	U0818208	#6-32 NUT(TIMER)	4
16*	U0812955	#6-32 x .25' PHP(HOLDERS)	8

* = NOT SHOWN

FIGURE #4

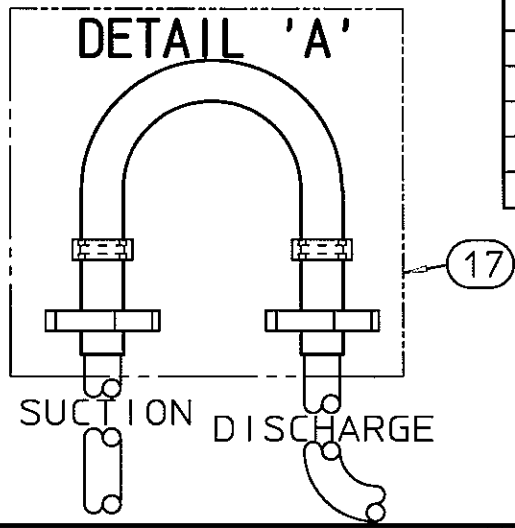
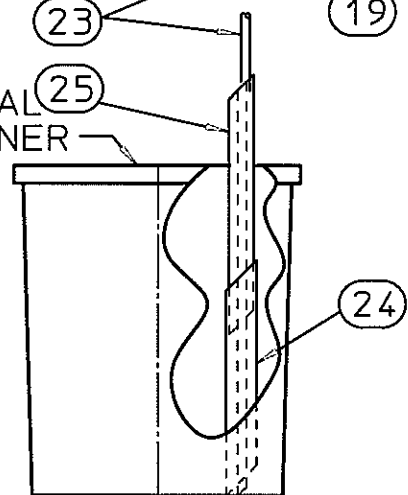
U0818894;
REV.: B96;
Page 9 of 11.

PARTS LIST & ASSEMBLY (WET END) FIGURE #5



.25 MAX.
1-PLACE.

CHEMICAL
CONTAINER



ITEM	PART #	DESCRIPTION	QTY
17*	U8800637	TUBING KIT (7/16") STD	REF
*	U8800700	TUBING KIT (3/8") STD	REF
18	U0817926	NORPRENE TUBE 7/16"	1
	U0818462	NORPRENE TUBE 3/8"	1
	U0818134	VITON TUBE 7/16"	1
	U0818324	VITON TUBE ASSY 3/8"	1
+	U0818324	VITON TUBE ASSY 3/8"	1
19	U0817742	HOSE CLAMP	2
20	U0817124	TUBE COLLAR (7/16")	2
	U0817123	TUBE COLLAR (3/8")	2
21	U8800721	FELT LUBE PAD W/ SCREW	1
22	U8800490	INJECTION FITTING	1
23	U0818895	TUBING 1/4" x 20'	1
24	U0818890	TUBE WAND lg ϕ	1
25	U0818924	TUBE WAND sm ϕ	1
26	U0817930	RUBBER FEET	4
27	09-096-00	MOUNT (BLK), LED CLIP	1

* = INCLUDES ITEMS #18-20.

+ = INCLUDES COLLARS.